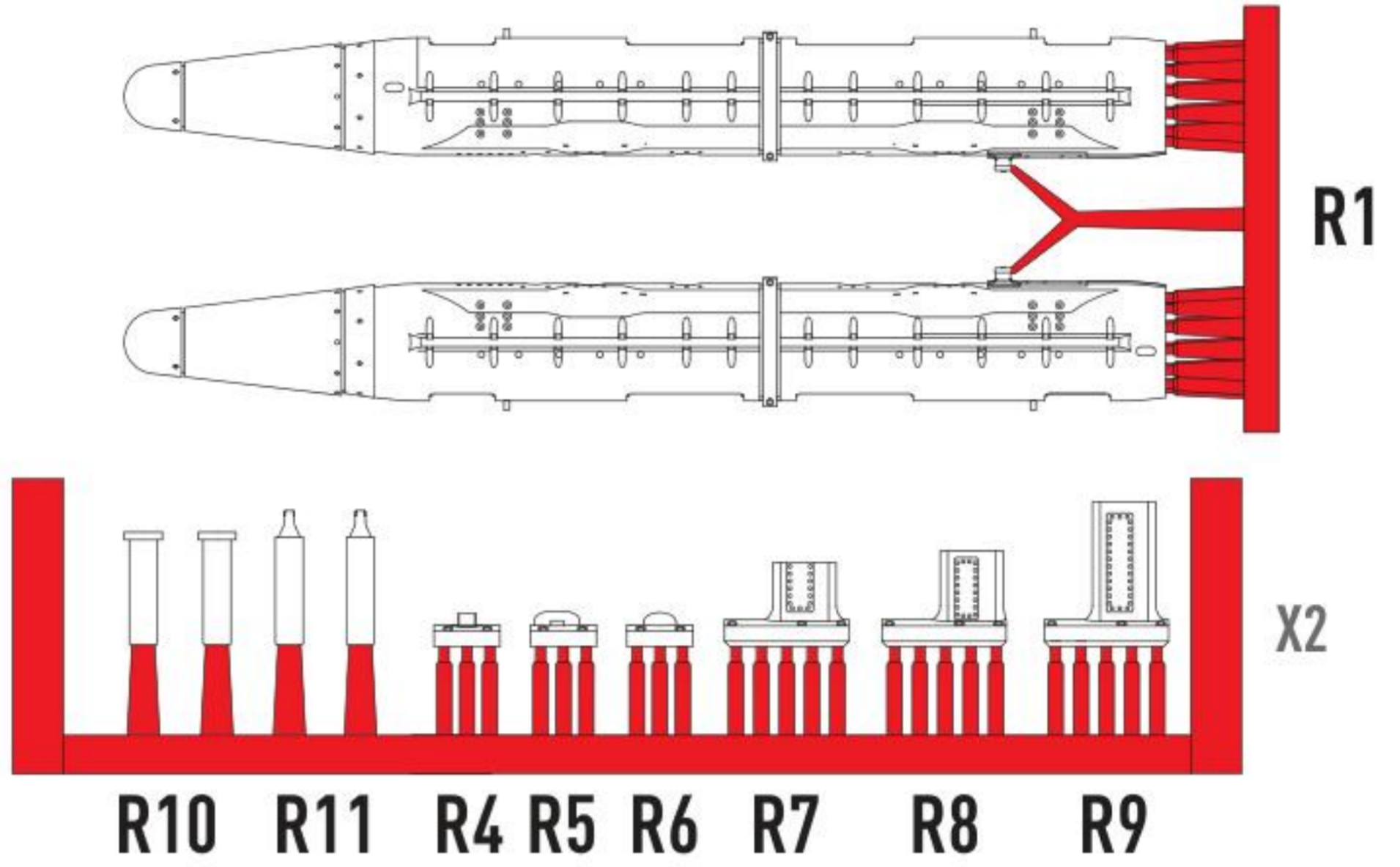
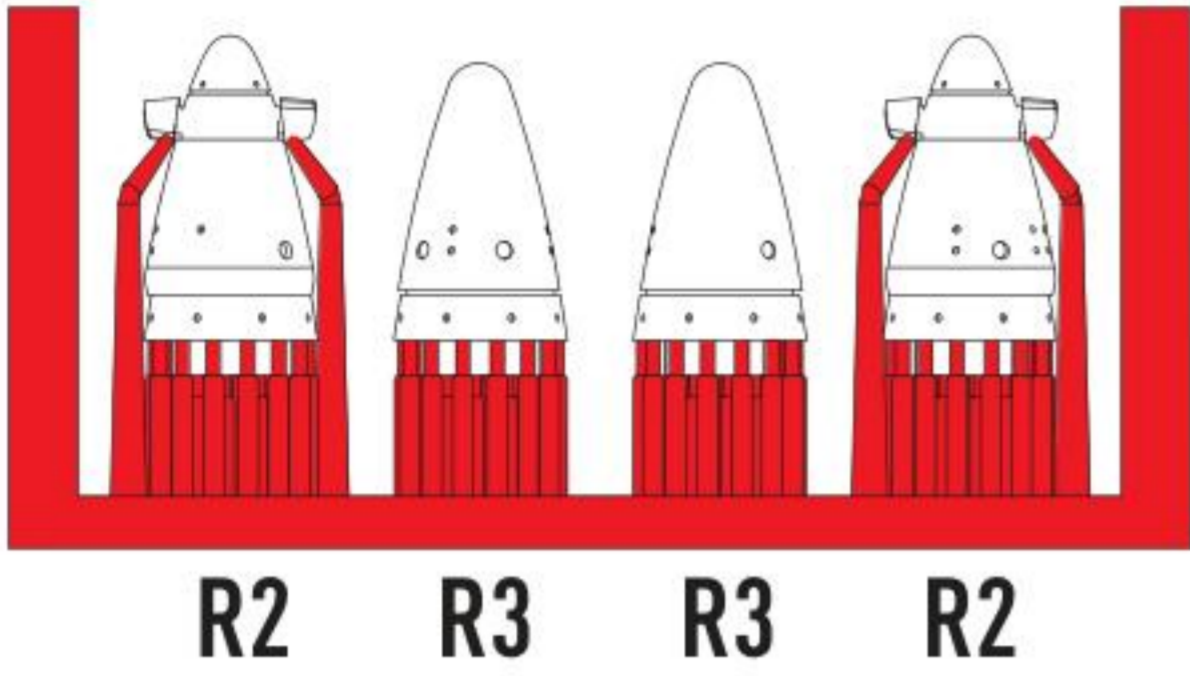
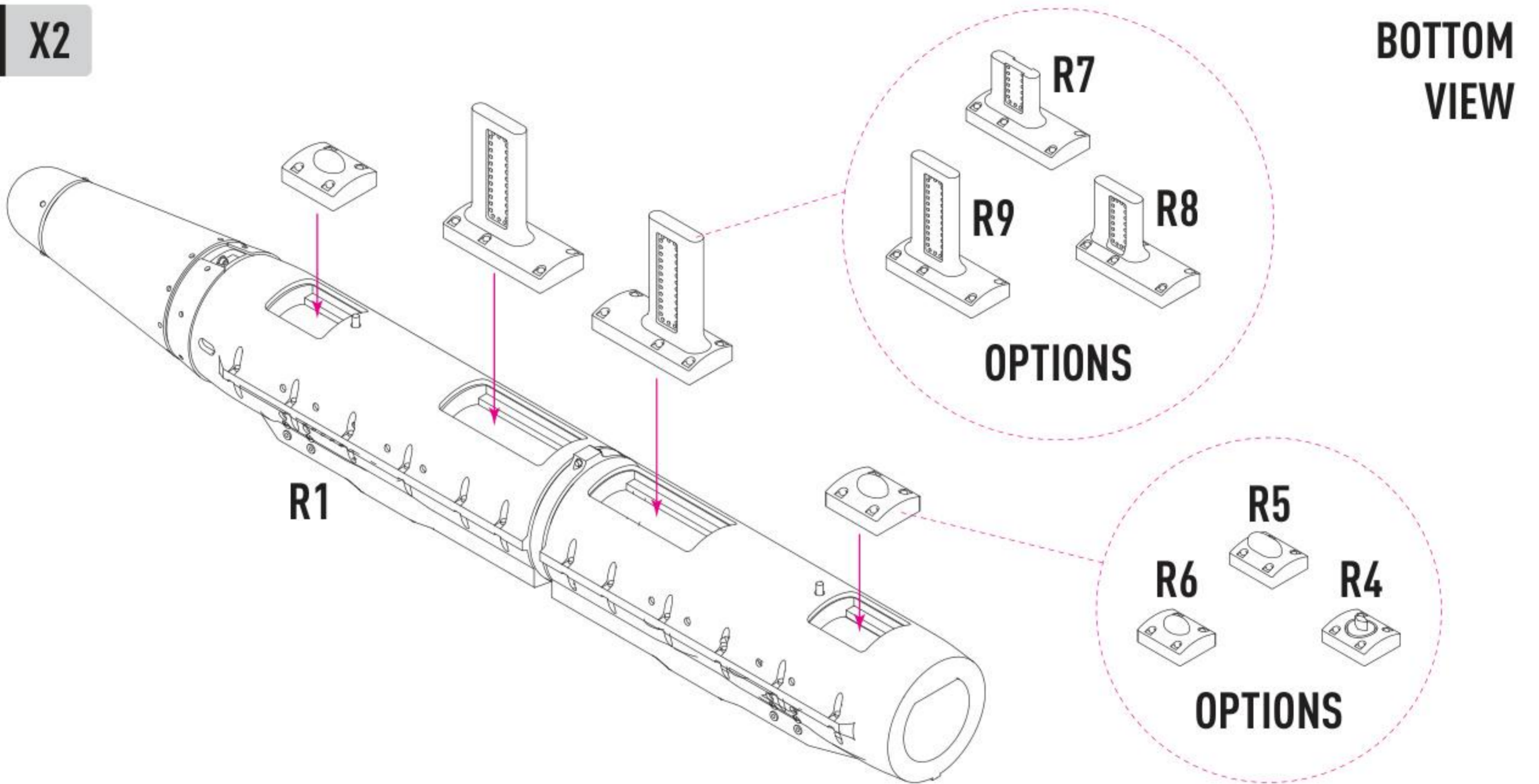


**CUT**

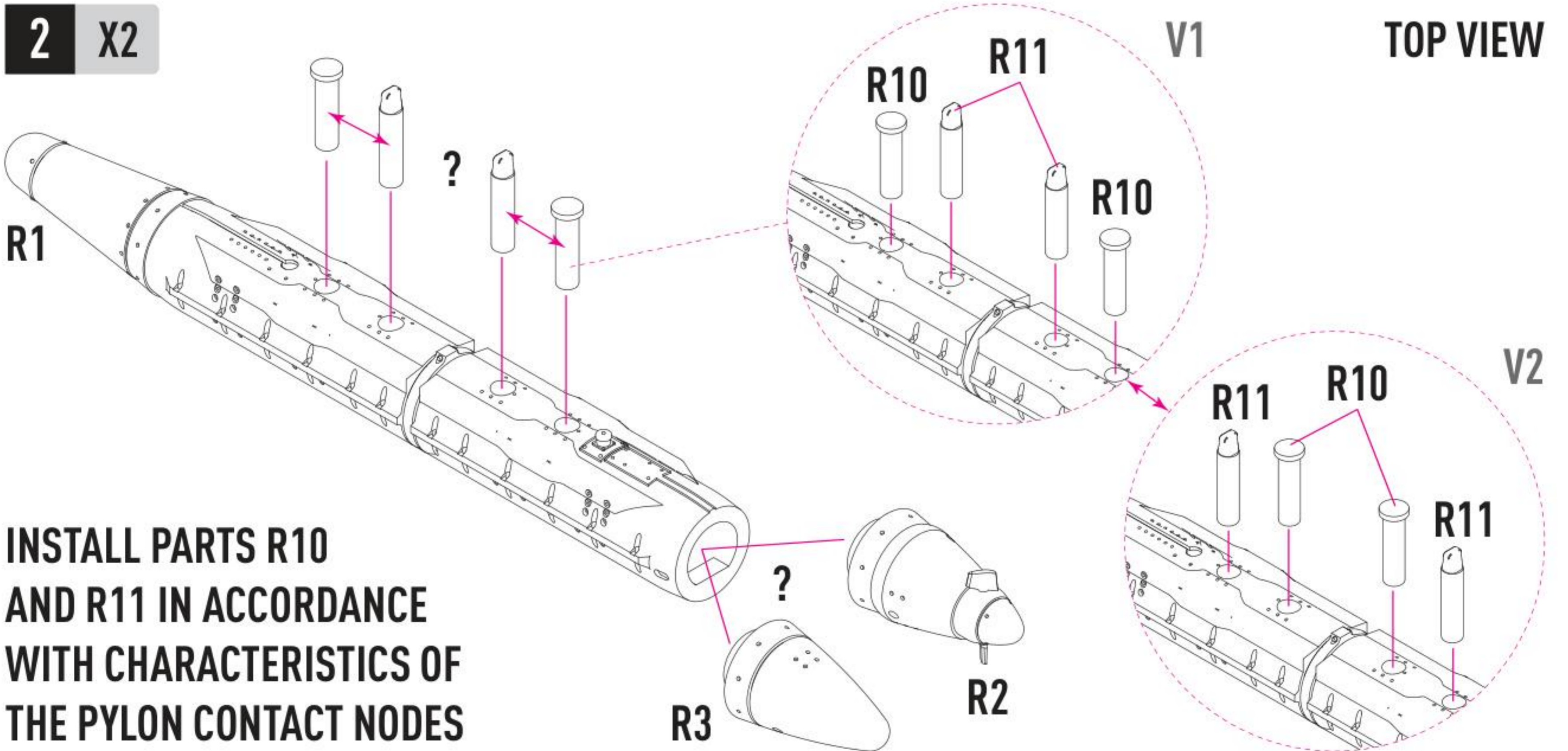
USE A SAW TO REMOVE SUPPORTS FROM 3D PRINTED PARTS



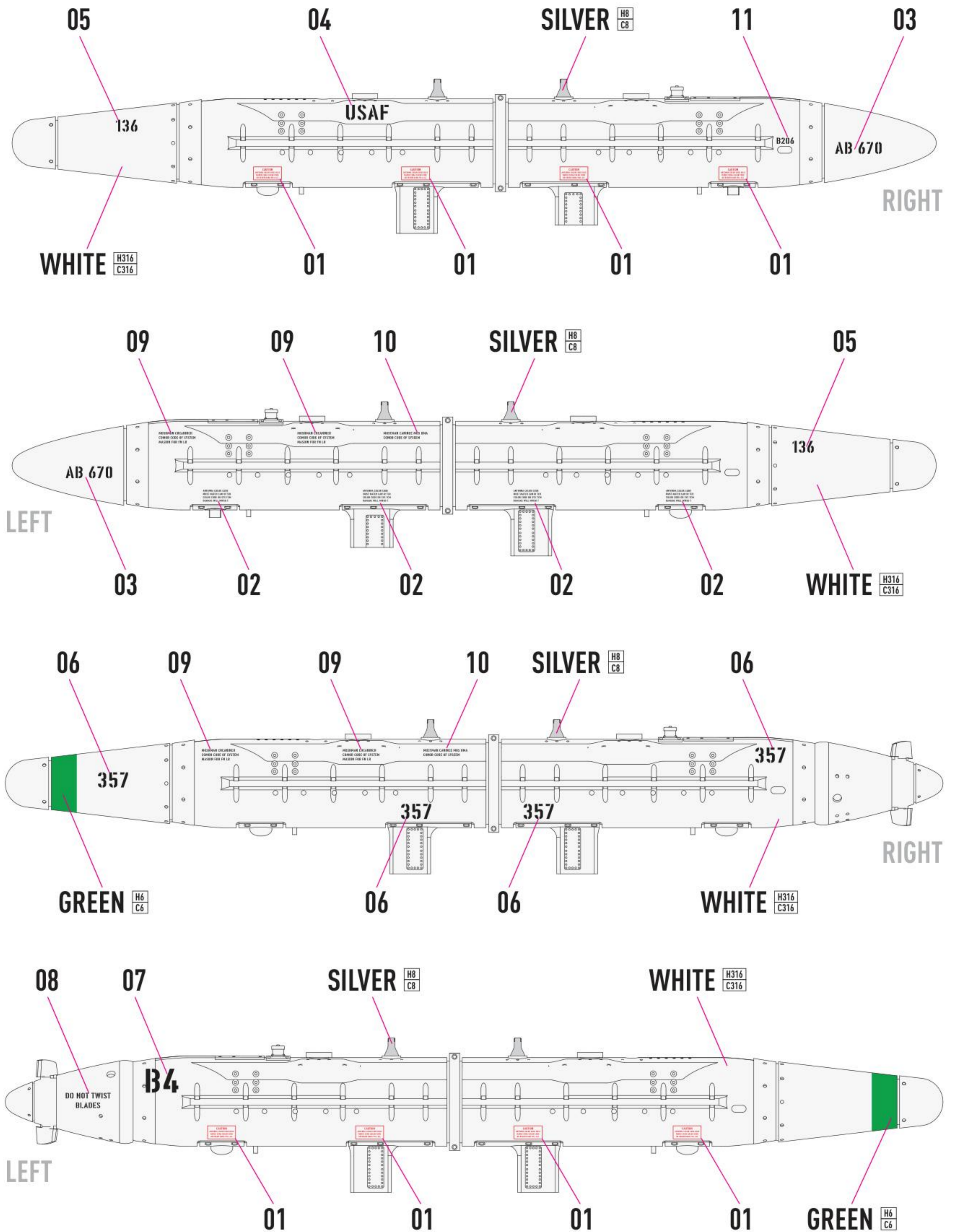
**1 X2**



**2 X2**



**INSTALL PARTS R10 AND R11 IN ACCORDANCE WITH CHARACTERISTICS OF THE PYLON CONTACT NODES**



COLORS	GUNZE / AQUEOUS	GUNZE / MR.COLOR
WHITE	H316	C316

COLORS	GUNZE / AQUEOUS	GUNZE / MR.COLOR
SILVER	H8	C8

COLORS	GUNZE / AQUEOUS	GUNZE / MR.COLOR
GREEN	H6	C6