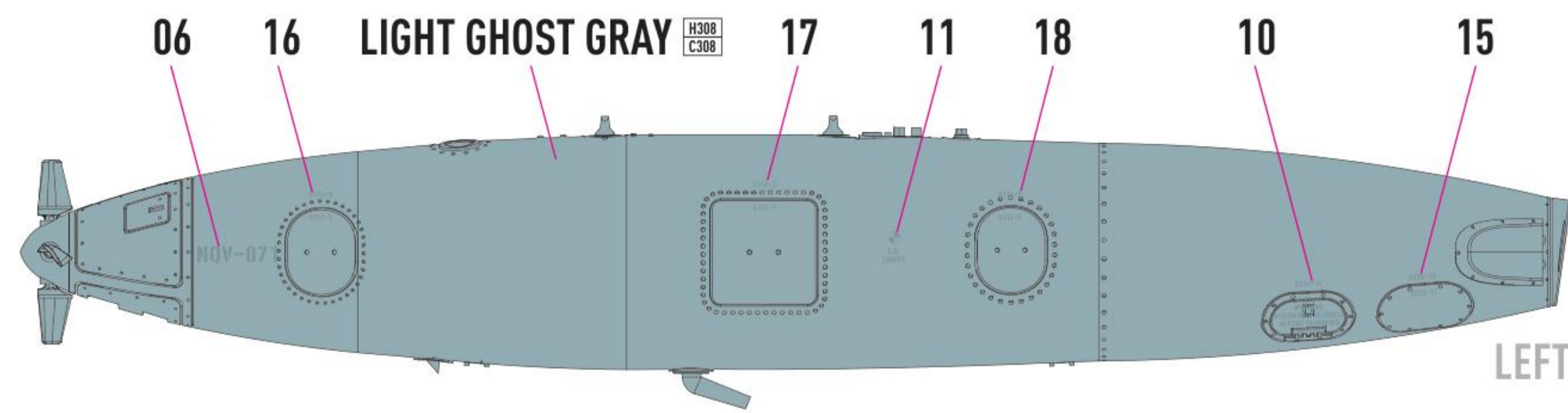
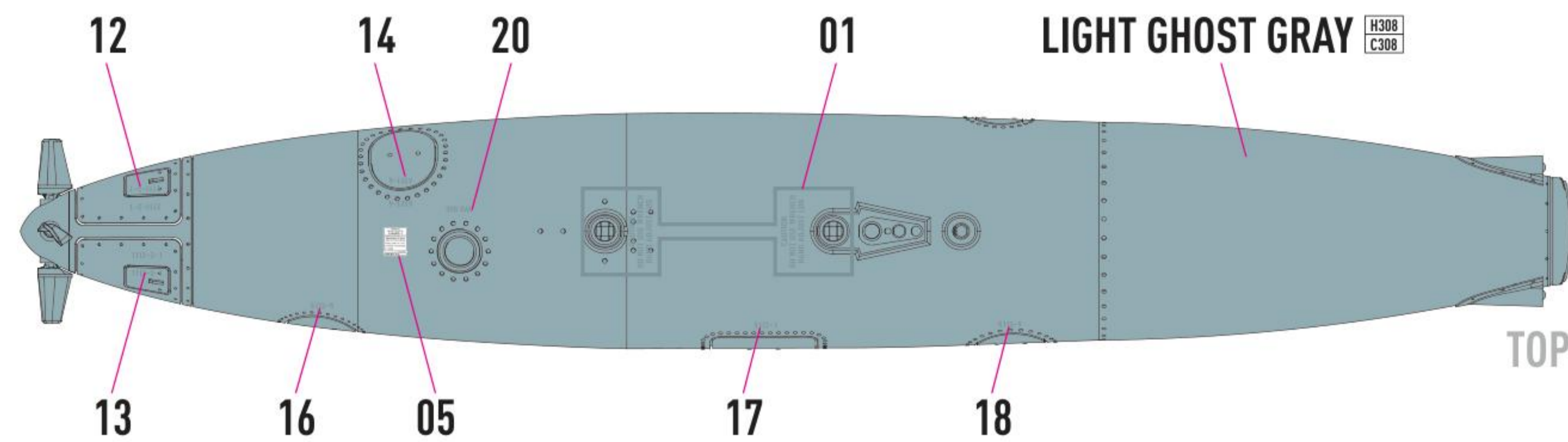


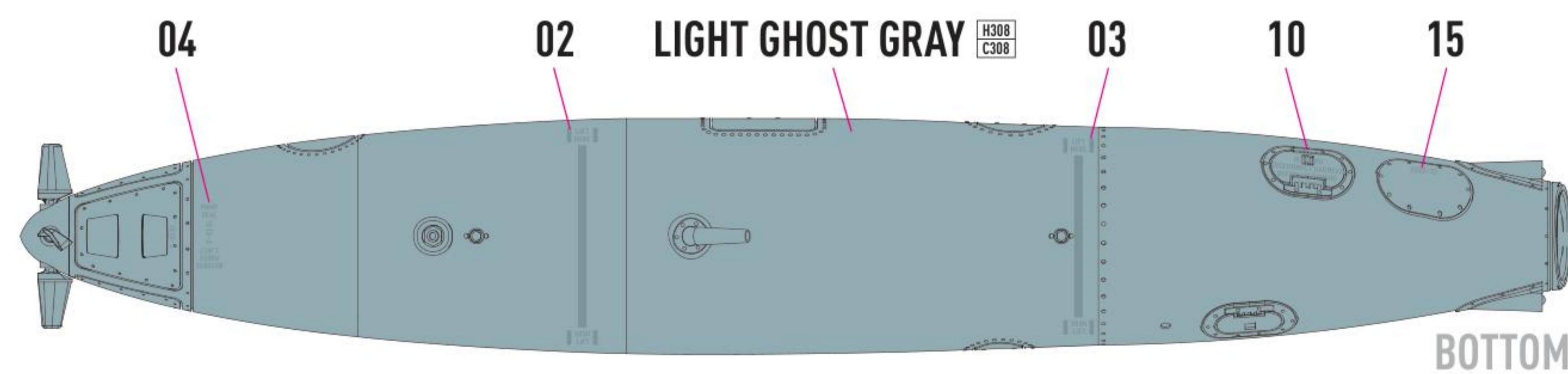
RIGHT



LEFT

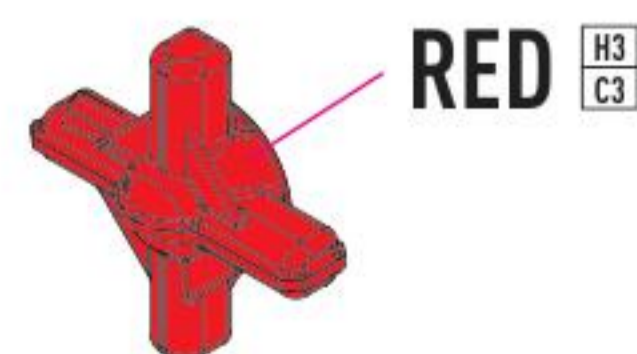


TOP



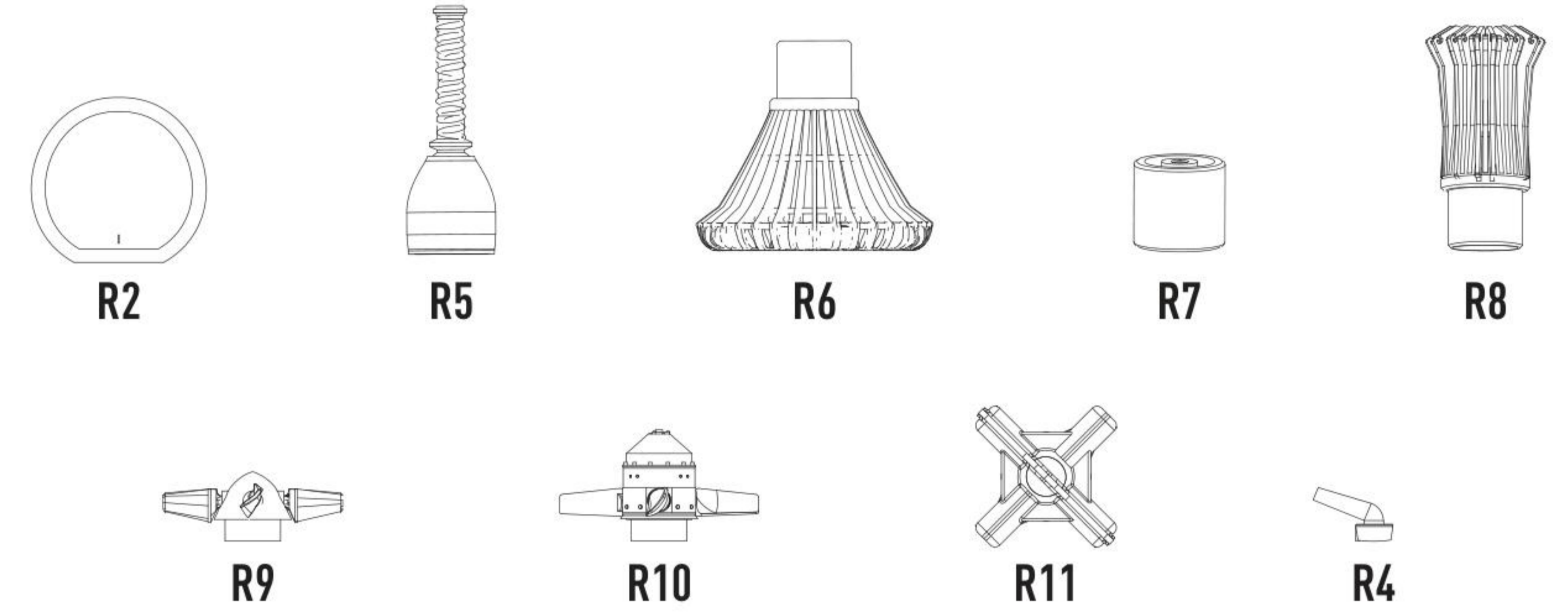
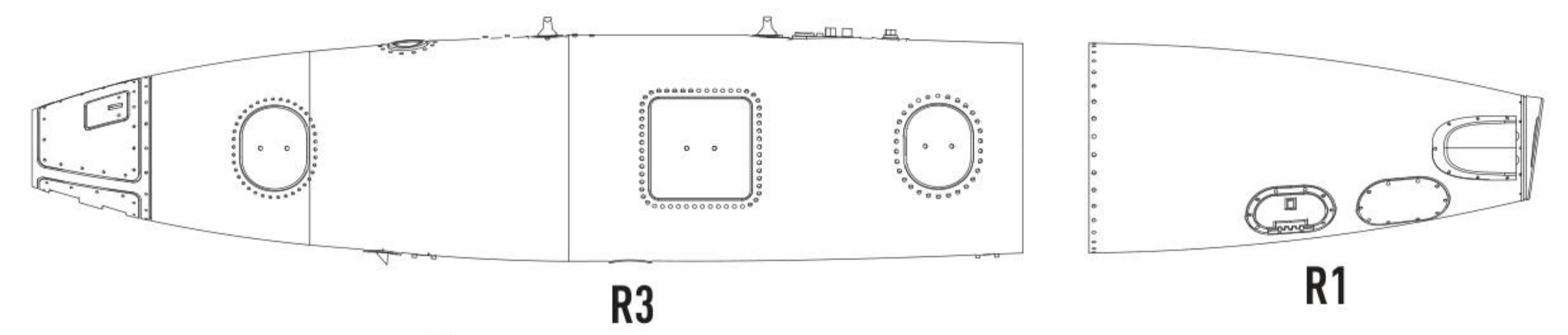
BOTTOM

COLORS	GUNZE / AQUEOUS	GUNZE / MR.COLOR
LIGHT GHOST GRAY	H308	C308

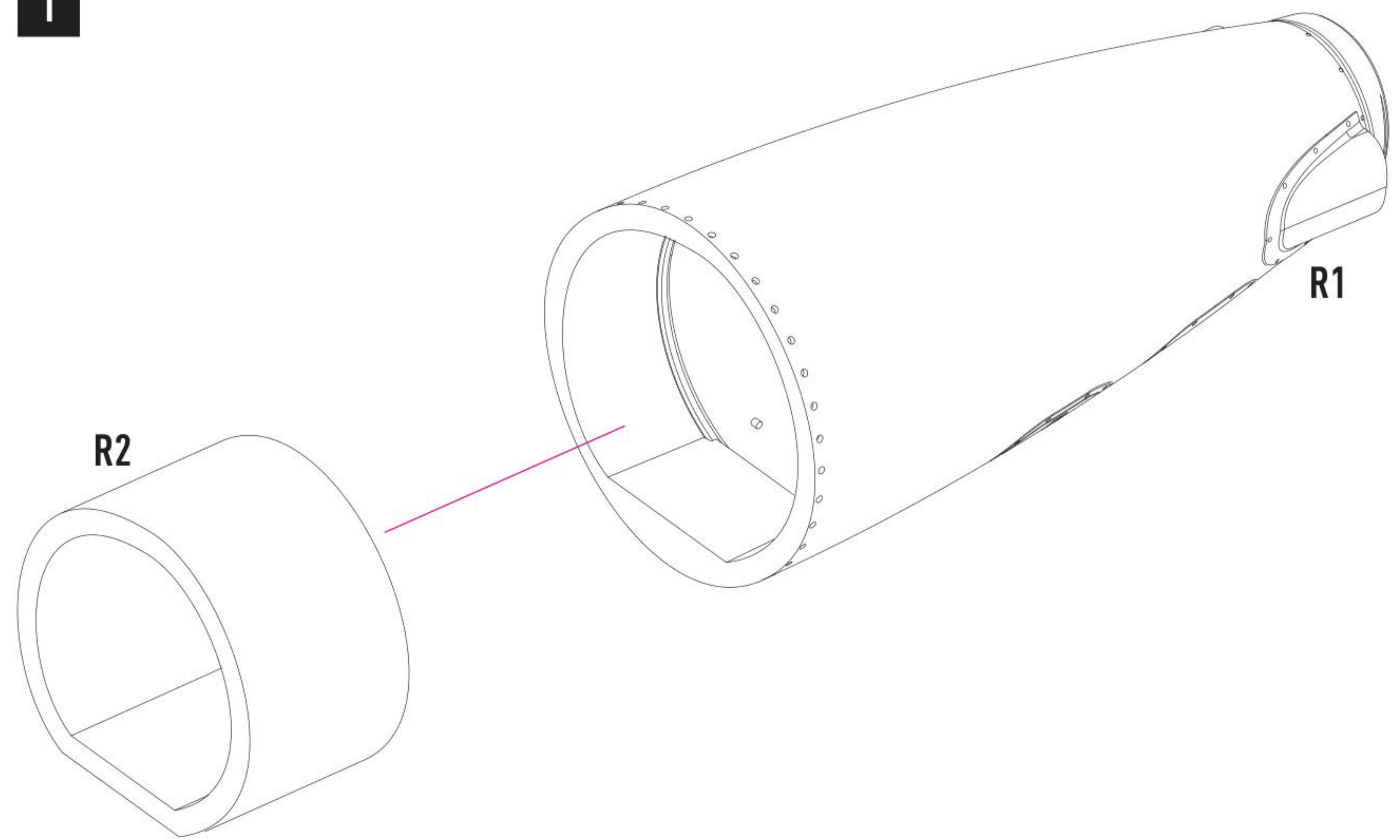


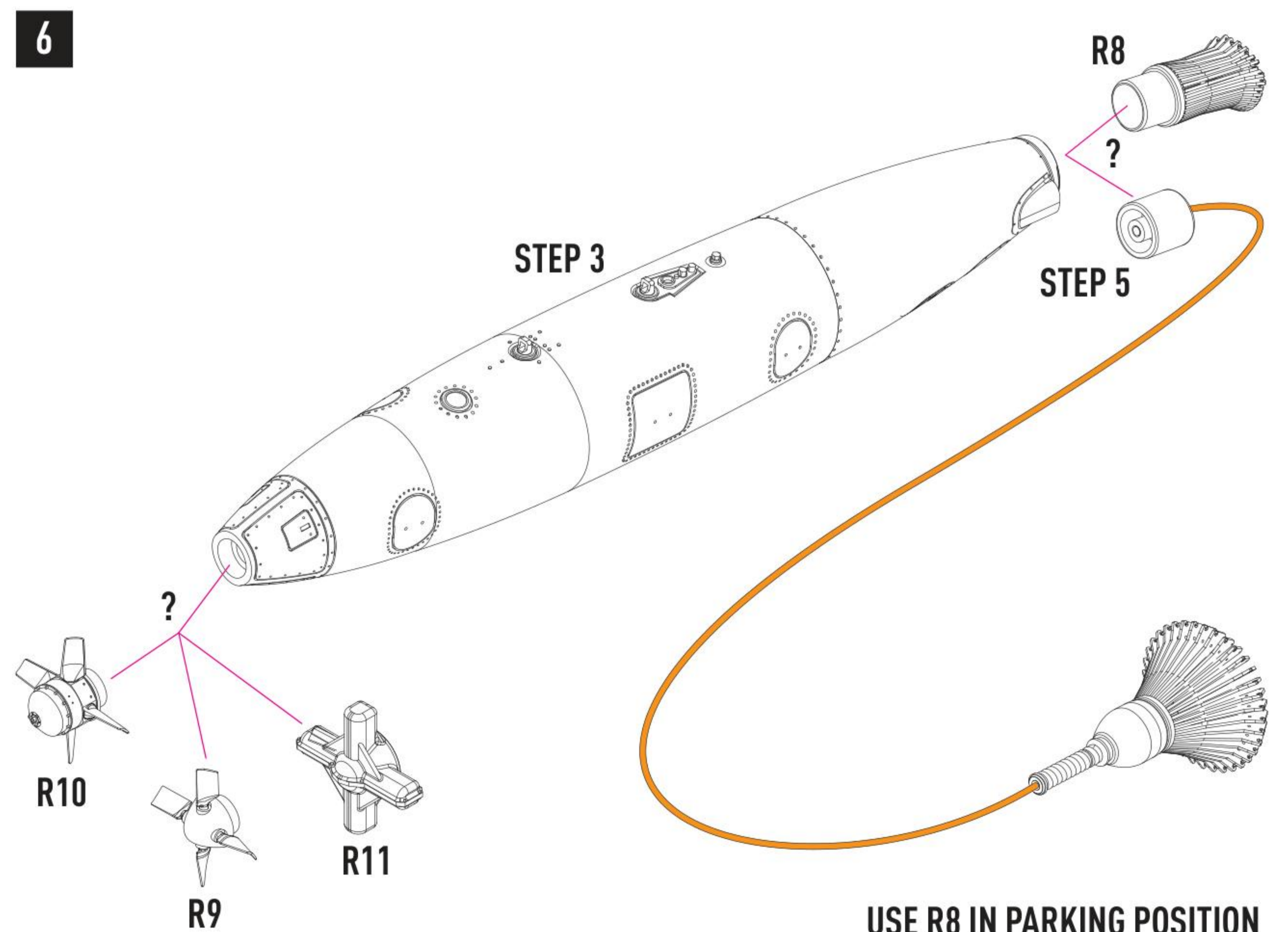
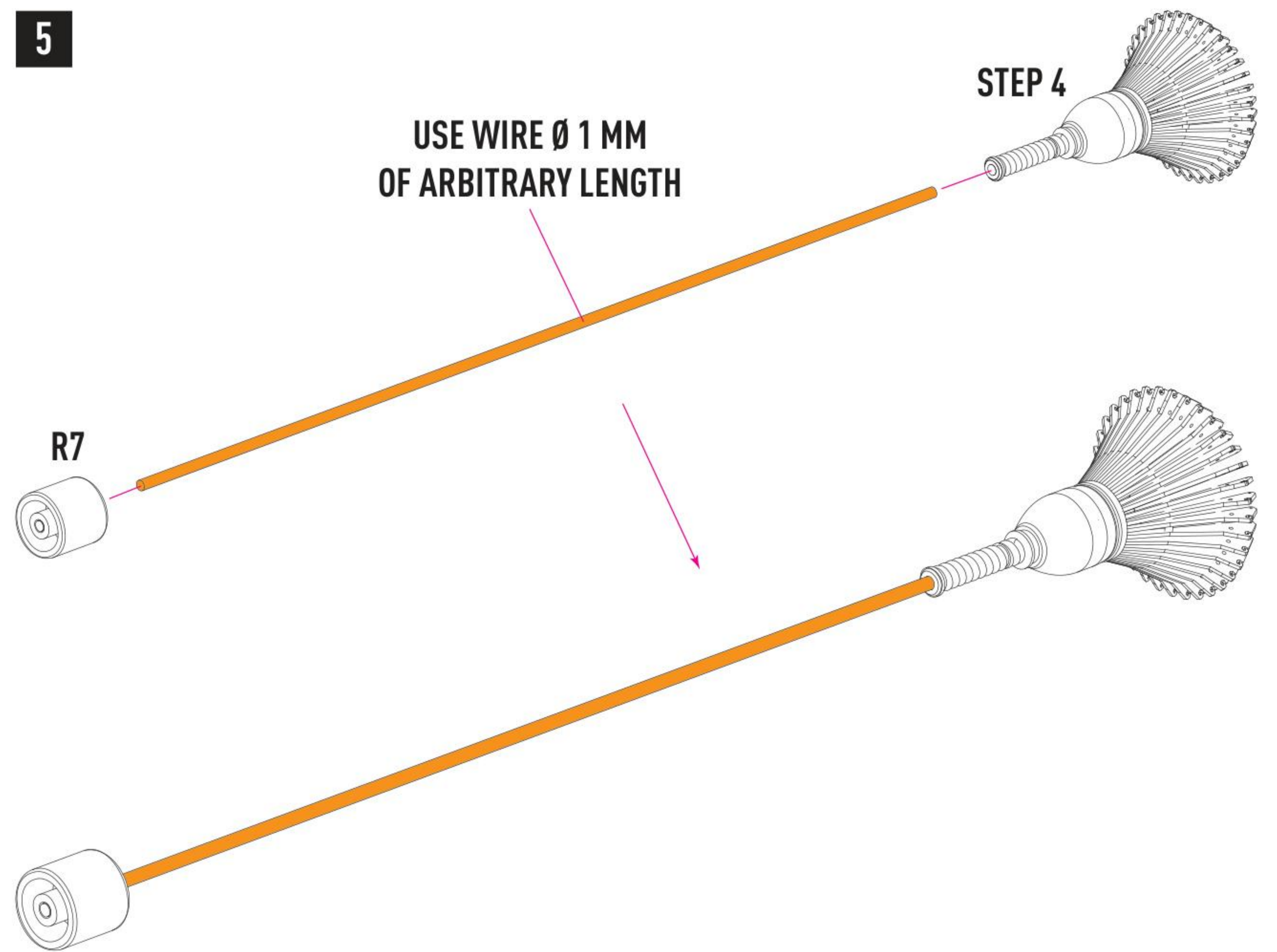
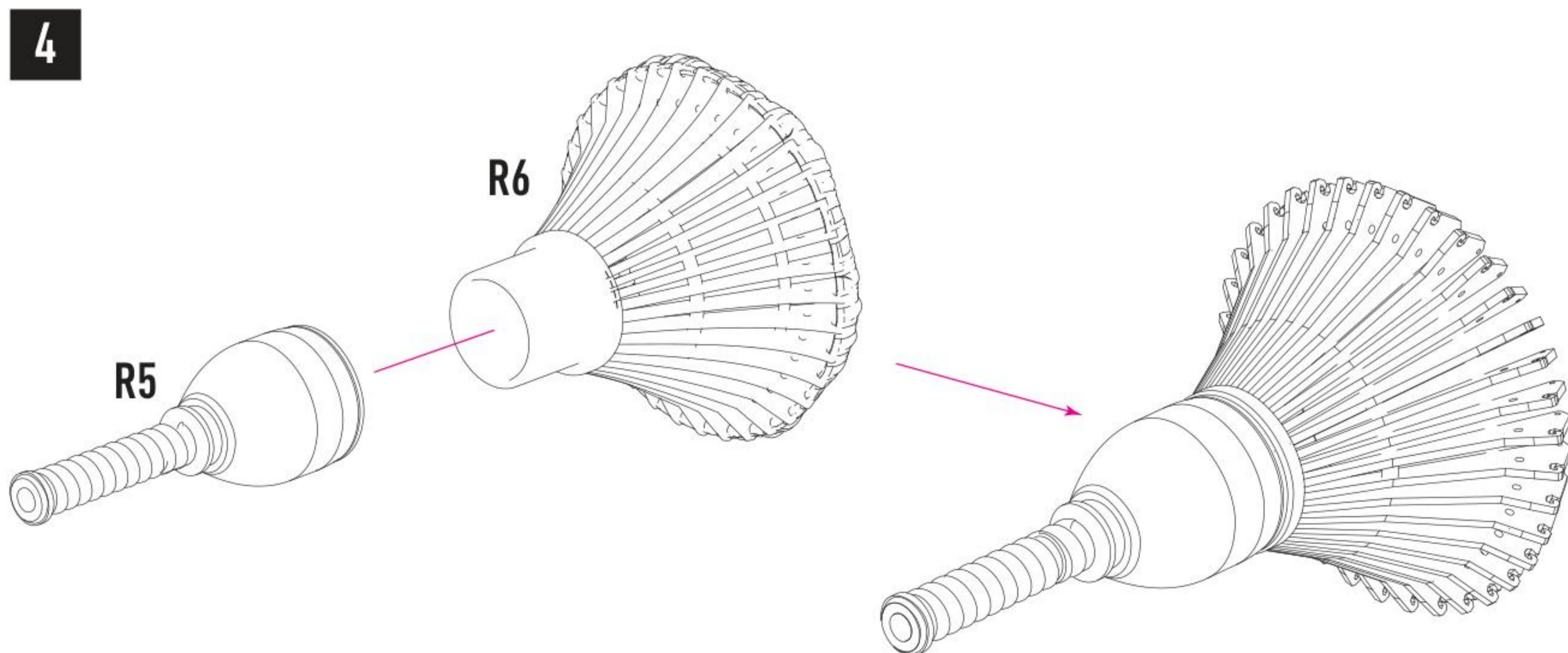
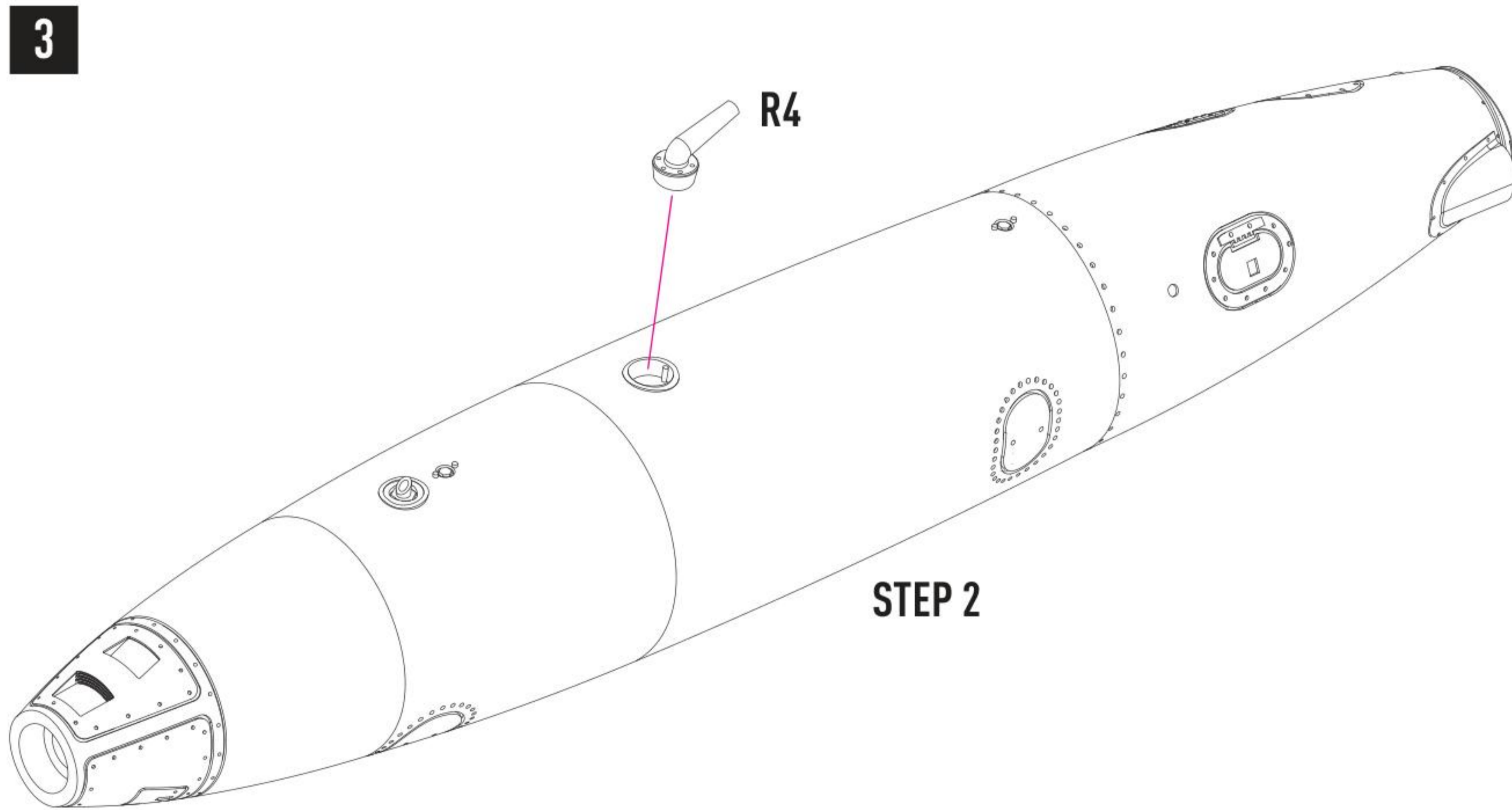
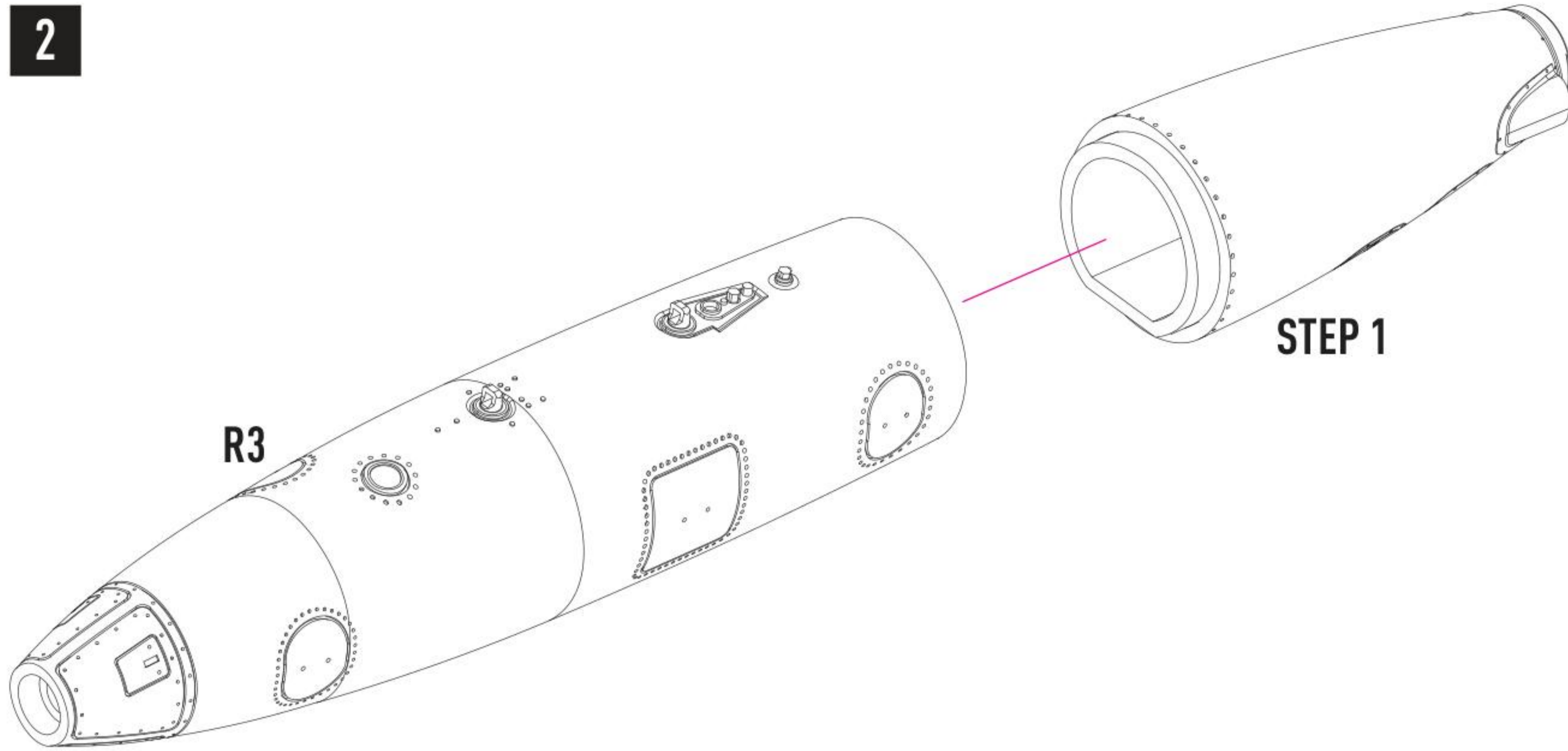
**DETAILS AFTER REMOVAL  
FROM SUPPORTS**

USE A SAW TO REMOVE SUPPORTS  
FROM 3D PRINTED PARTS



**1**





USE R8 IN PARKING POSITION  
USE STEP 5 IN FLIGHT WHEN REFUELING