

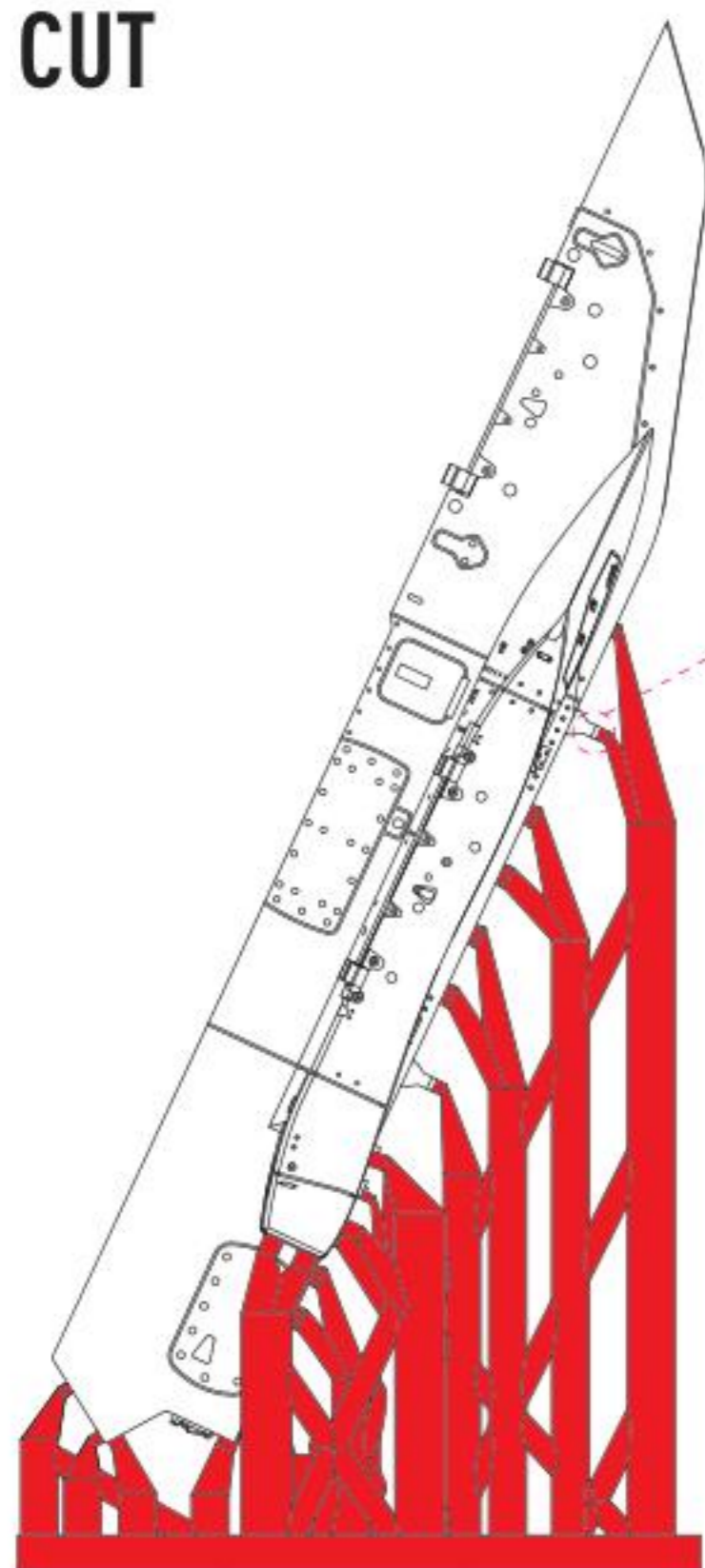


RESIN PARTS  
FOR SCALE PLASTIC KITS

# AT 730 STORE RACK FOR RAFALE (2 PCS)

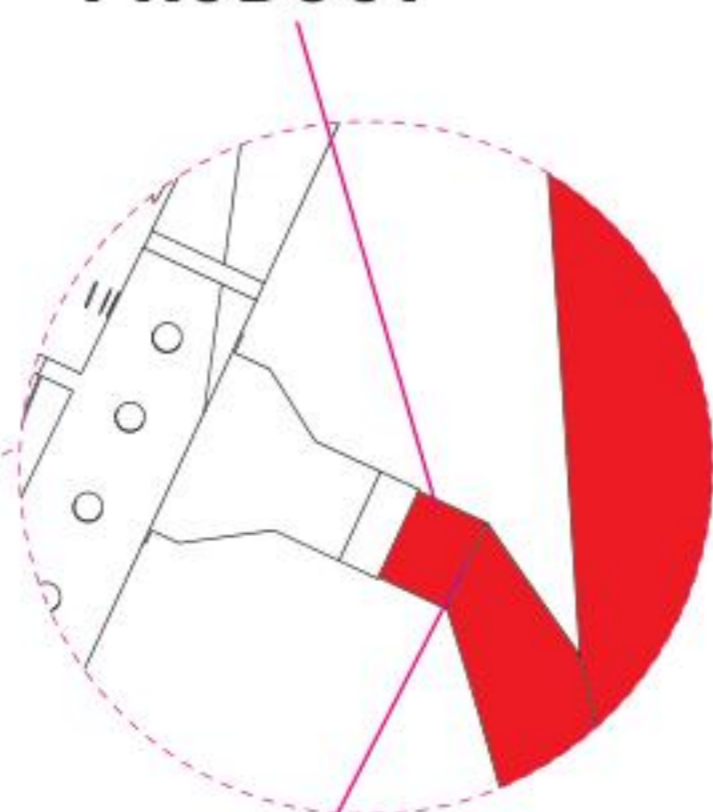
INSTRUCTION **RS72-0395**

CUT

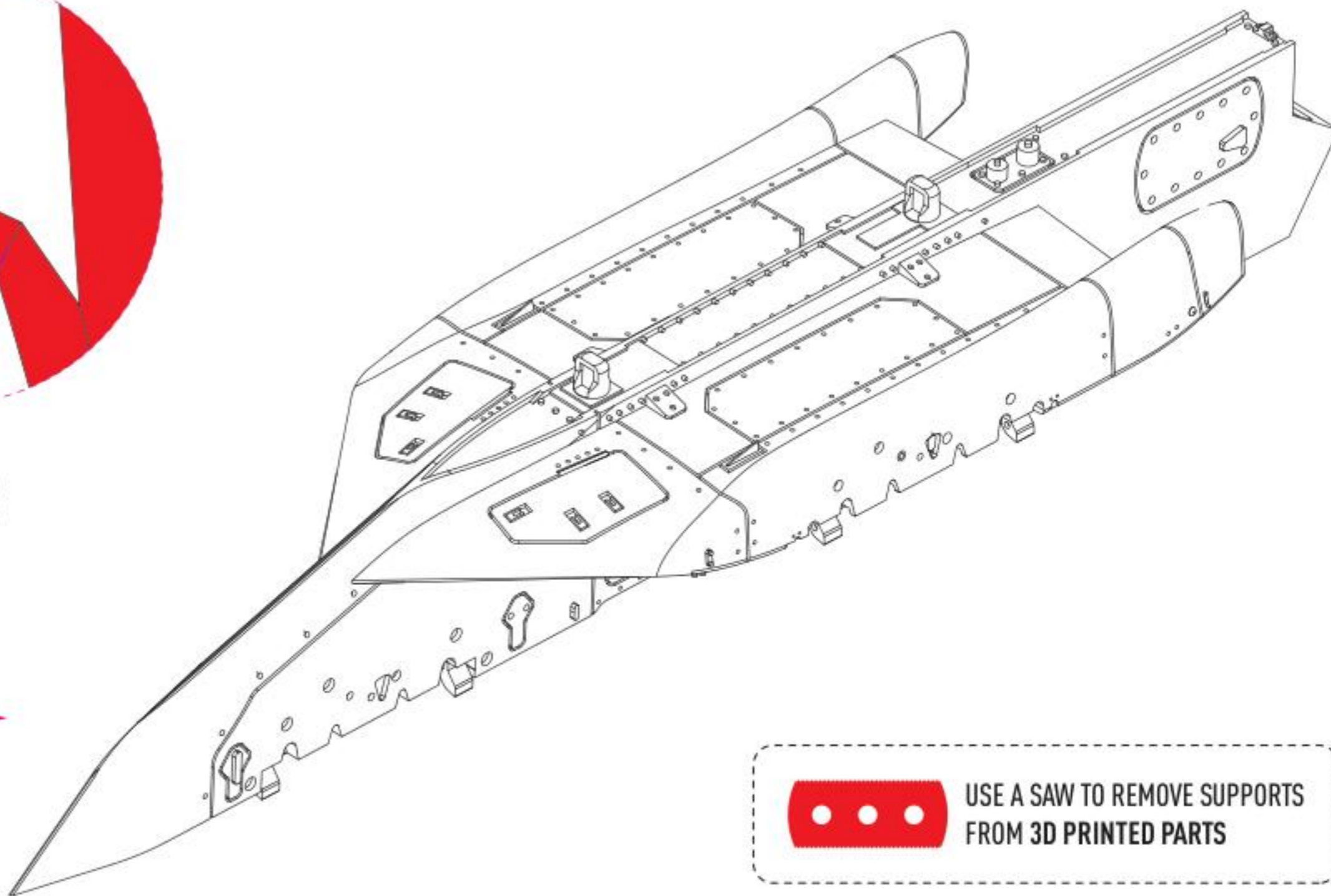


R1 X2

PRODUCT



SUPPORTS



USE A SAW TO REMOVE SUPPORTS  
FROM 3D PRINTED PARTS

general Issues: [info@reskit.com.ua](mailto:info@reskit.com.ua) / claim resolution: [claims@reskit.com.ua](mailto:claims@reskit.com.ua)

**RESKIT-MODELS.COM**

 [fb.com/reskit.official](https://fb.com/reskit.official)

 [instagram.com/reskit\\_official](https://instagram.com/reskit_official)

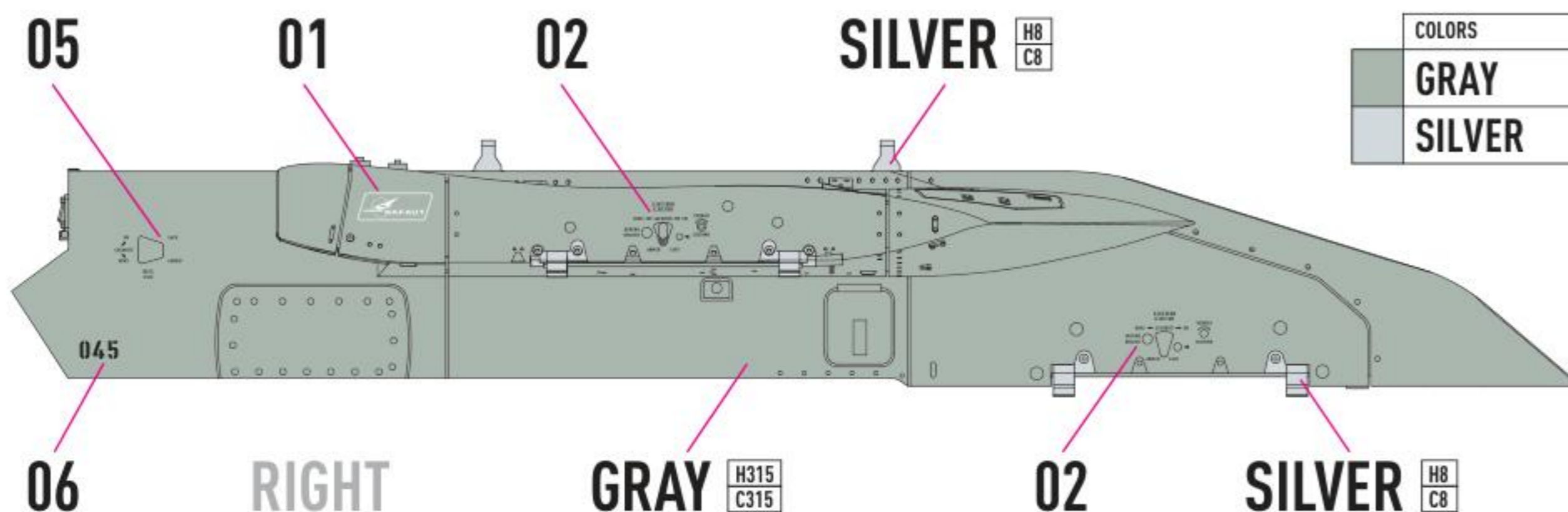
 [pinterest.com/reskit\\_official](https://pinterest.com/reskit_official)



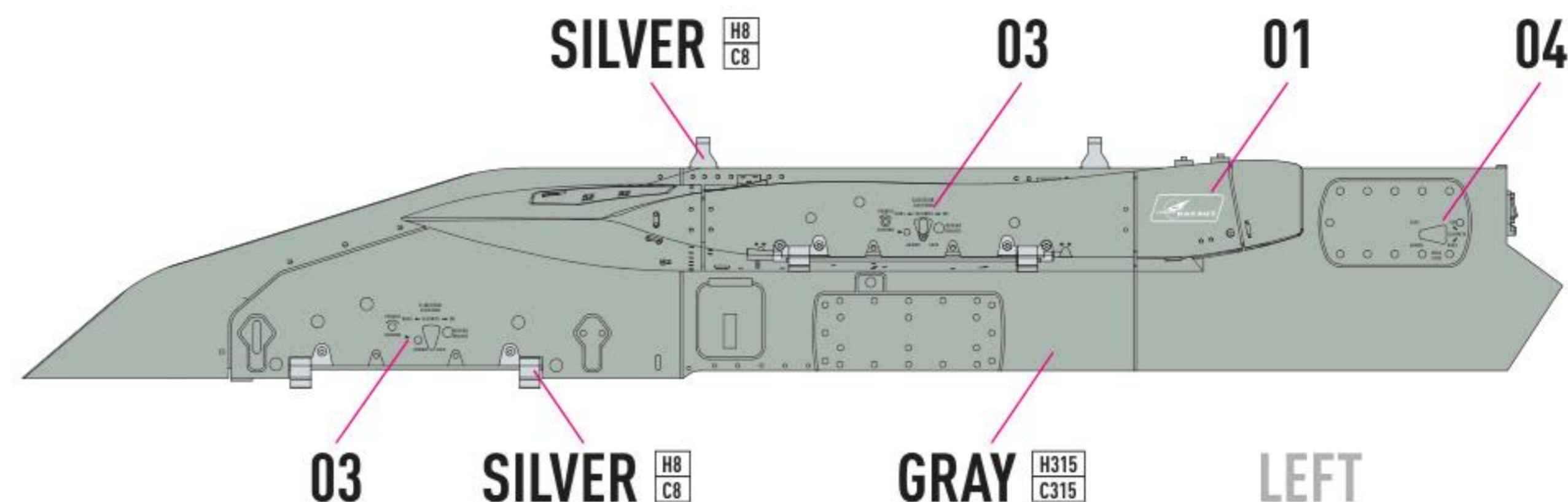
RESIN PARTS  
FOR SCALE PLASTIC KITS

# AT 730 STORE RACK FOR RAFALE (2 PCS)

DECAL INSTRUCTION **RS72-0395**



COLORS	GUNZE / AQUEOUS	GUNZE / MR.COLOR	FEDERAL STANDARD
GRAY	H315	C315	FS 16440
SILVER	H8	C6	



general Issues: [info@reskit.com.ua](mailto:info@reskit.com.ua) / claim resolution: [claims@reskit.com.ua](mailto:claims@reskit.com.ua)

**RESKIT-MODELS.COM**

[fb.com/reskit.official](https://fb.com/reskit.official)

[instagram.com/reskit\\_official](https://instagram.com/reskit_official)

[pinterest.com/reskit\\_official](https://pinterest.com/reskit_official)