

CUT

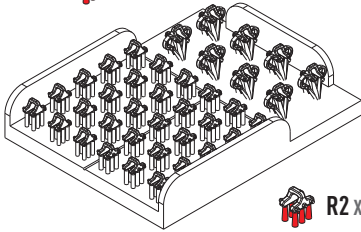


R3 X10

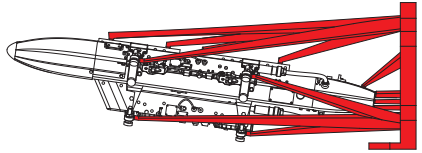


R4 X5

USE A SAW TO REMOVE SUPPORTS
FROM 3D PRINTED PARTS

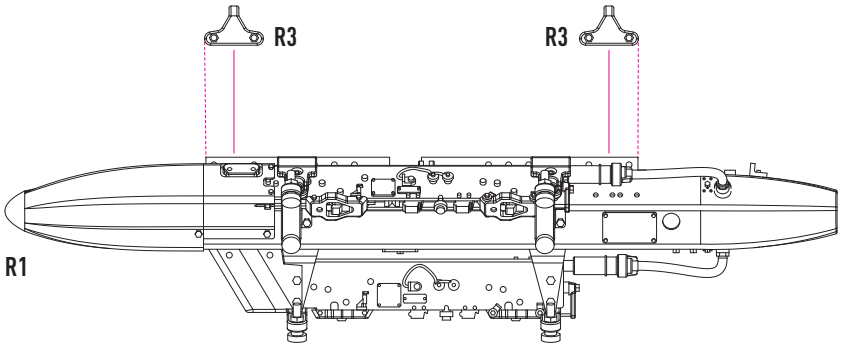


R2 X10

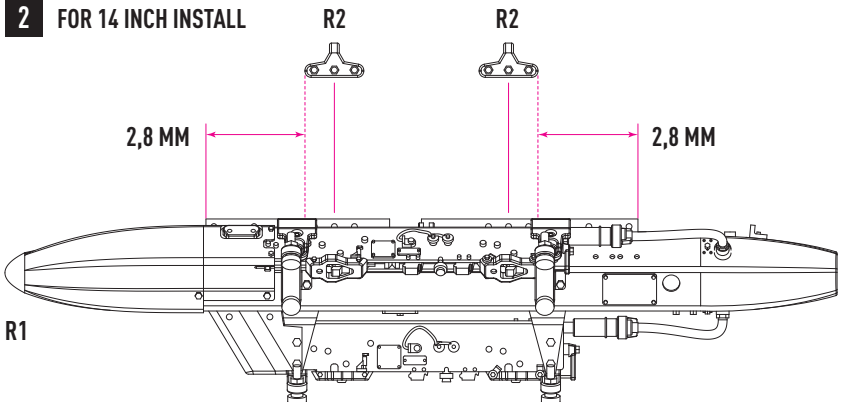


R1 X5

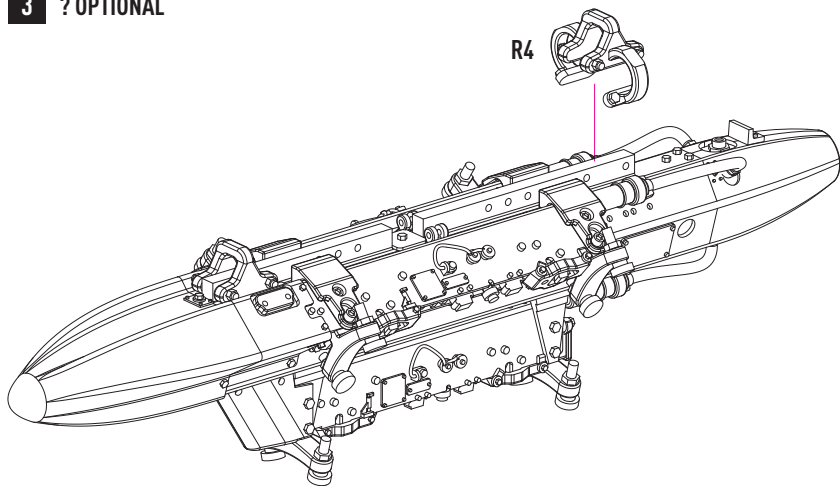
1 FOR 30 INCH INSTALL



2 FOR 14 INCH INSTALL



3 ? OPTIONAL



DECAL INSTRUCTION

