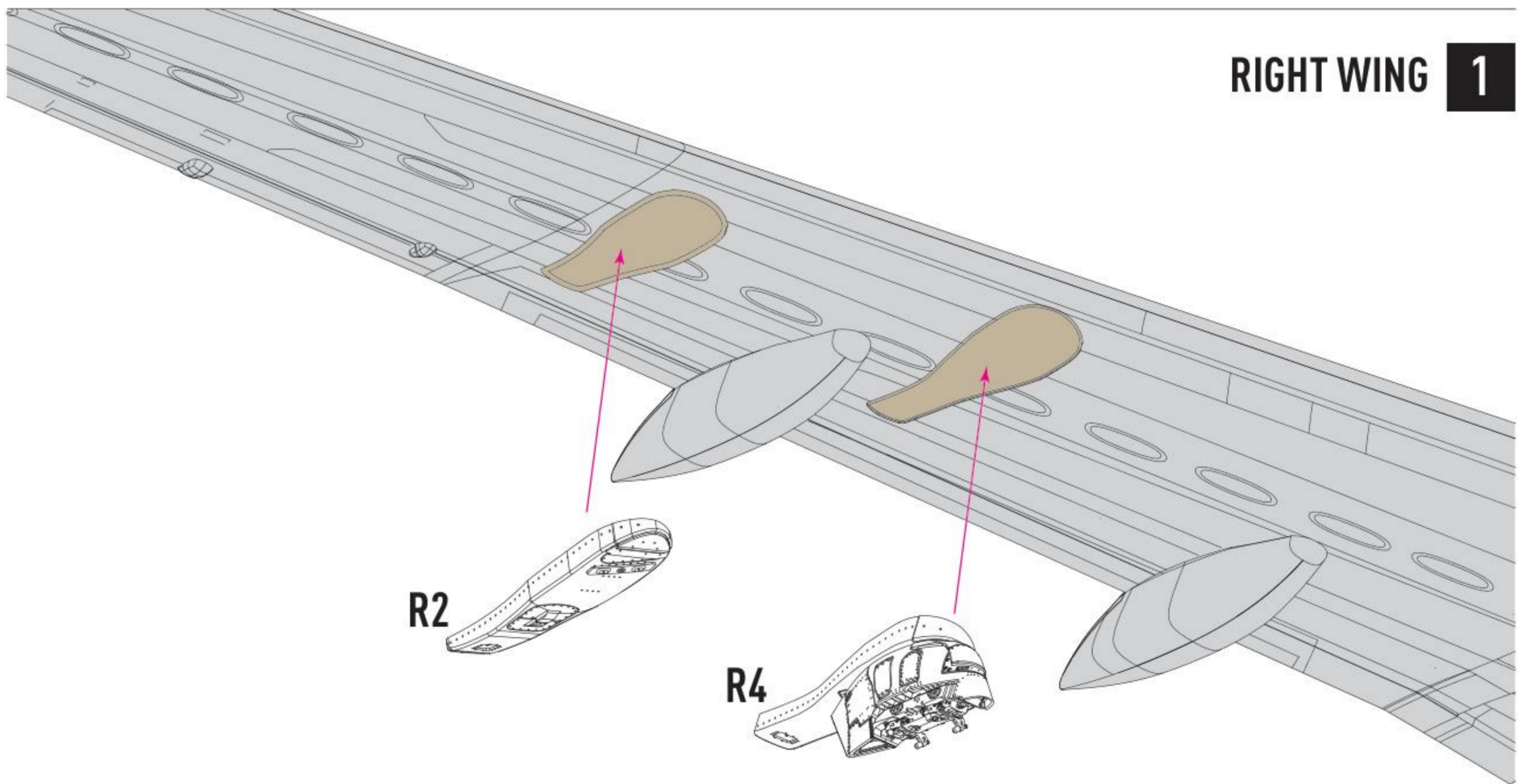
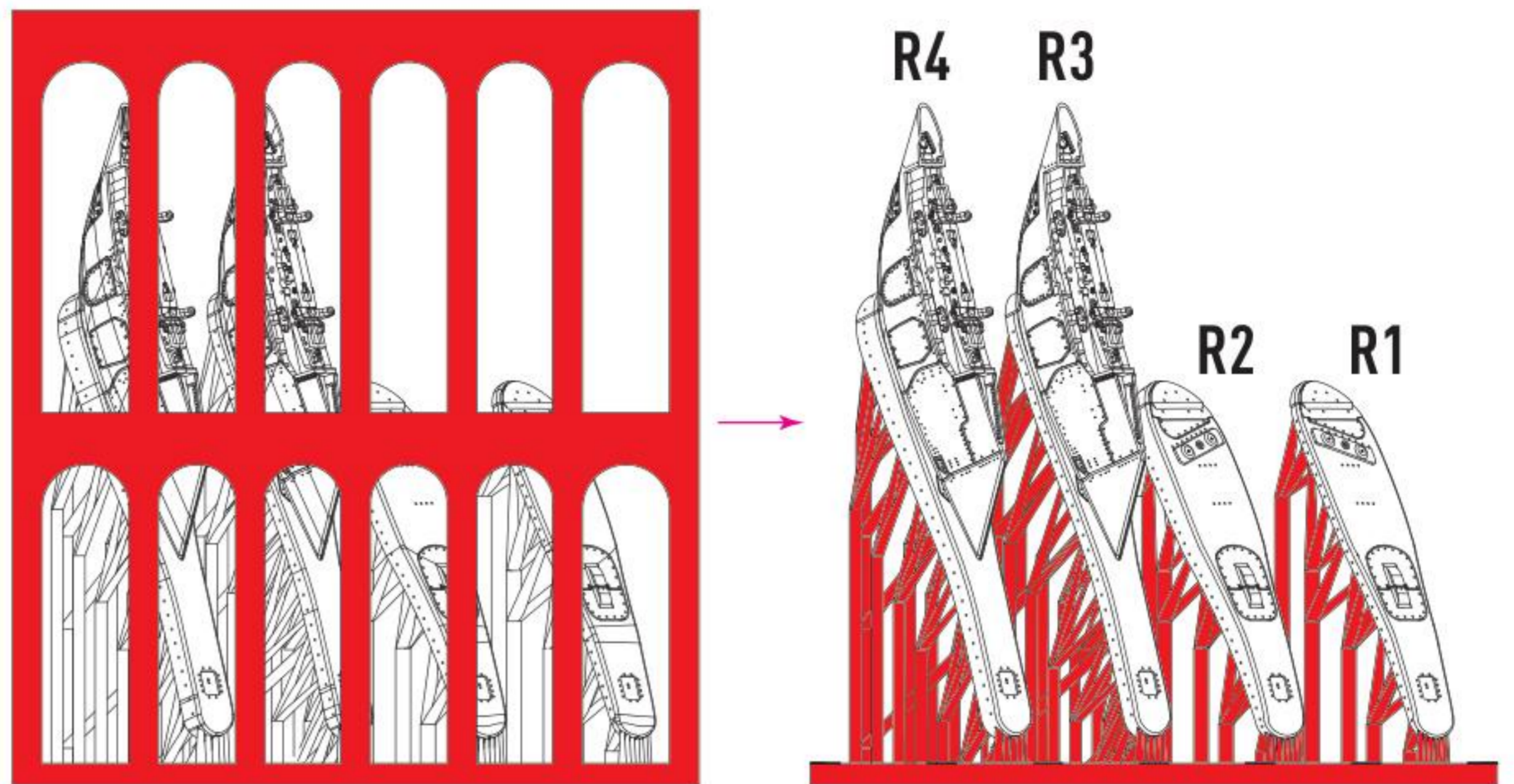


CUT

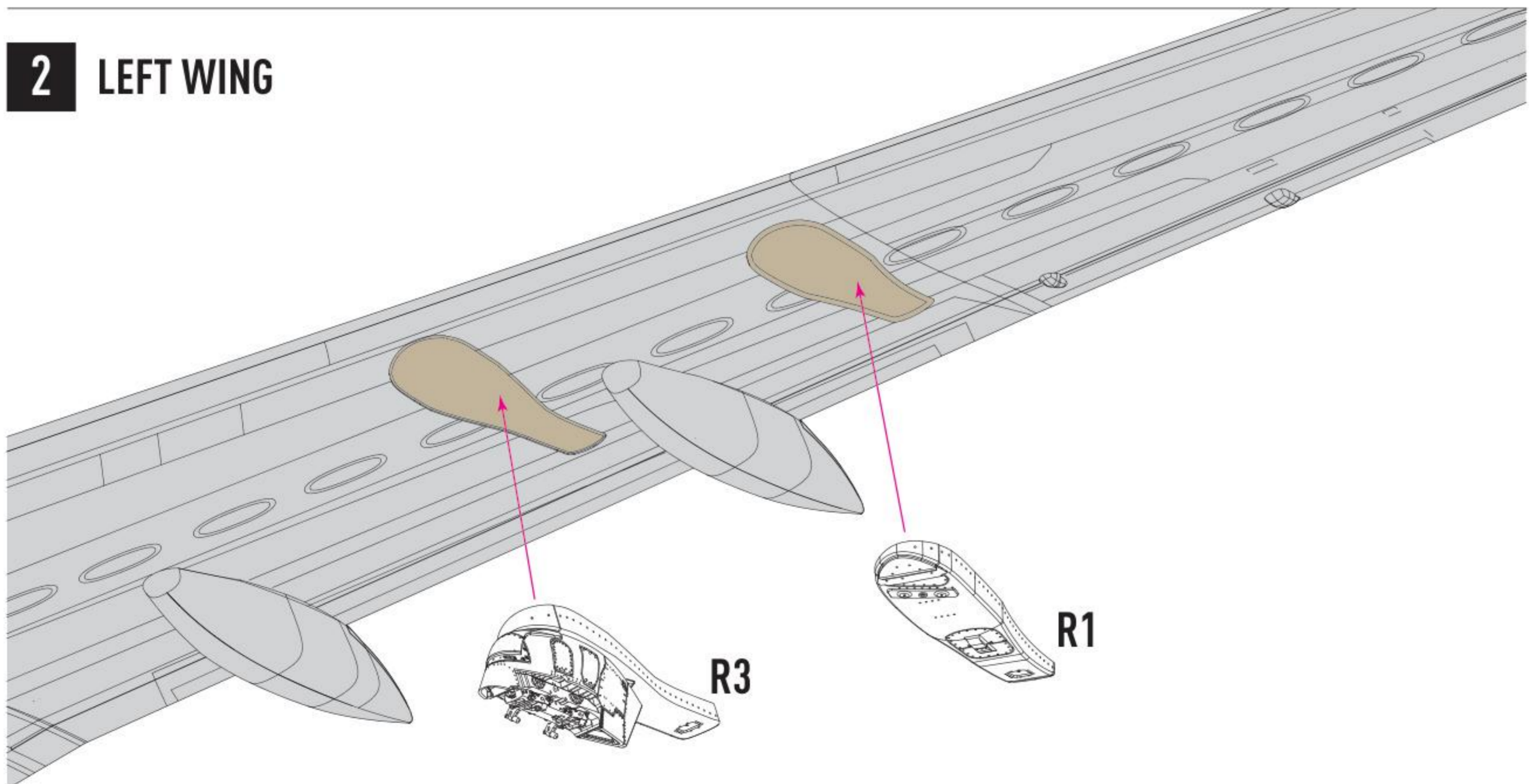
**REMOVE
PROTECTIVE COVER**



USE A SAW TO REMOVE SUPPORTS
FROM 3D PRINTED PARTS

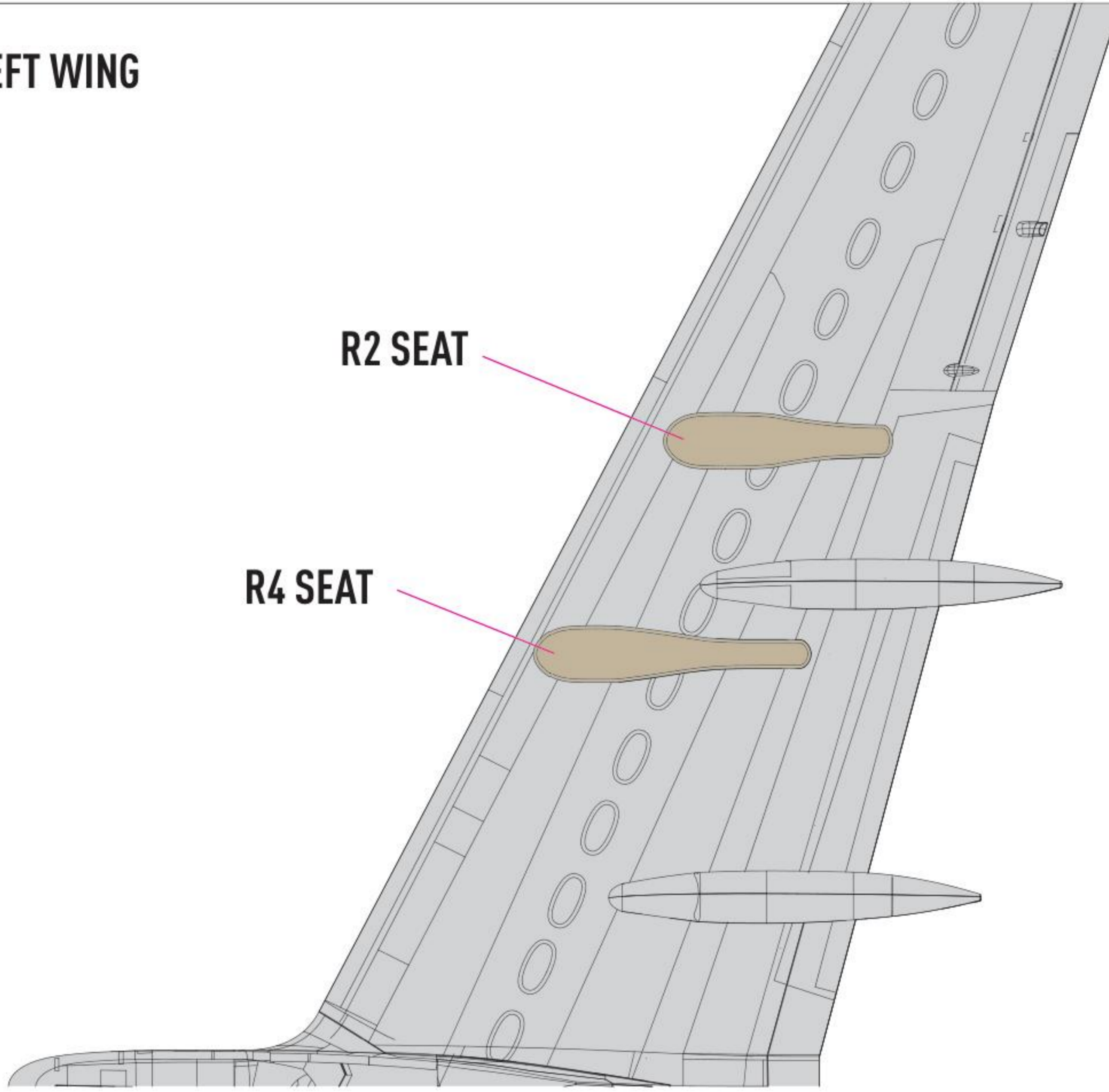


RIGHT WING 1



2 LEFT WING

3 LEFT WING



RIGHT WING **4**

