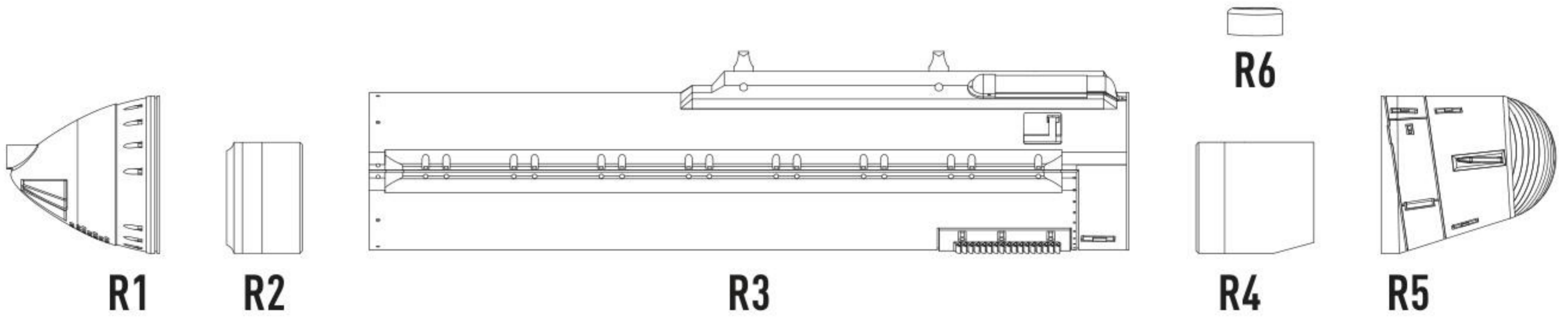
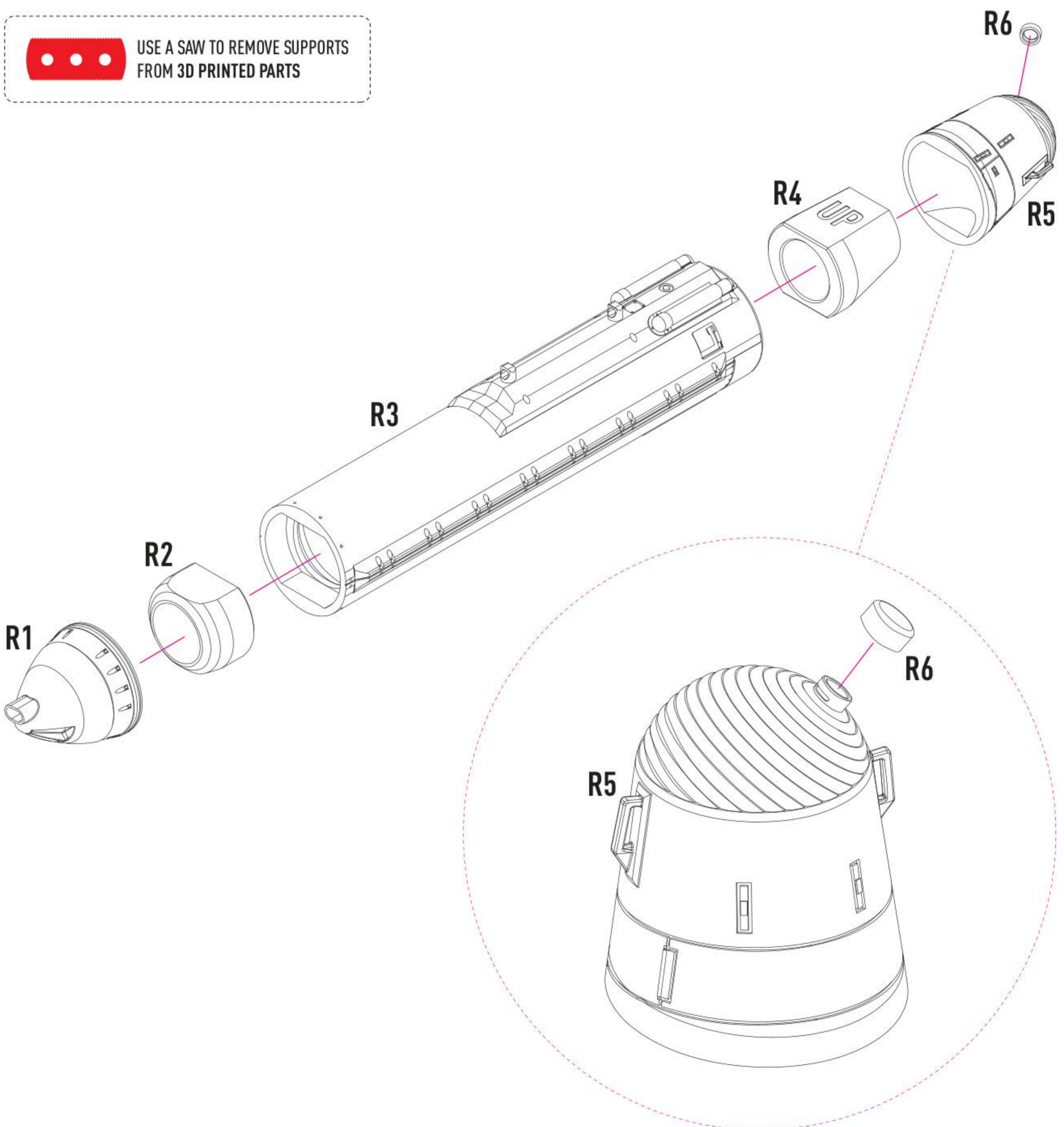
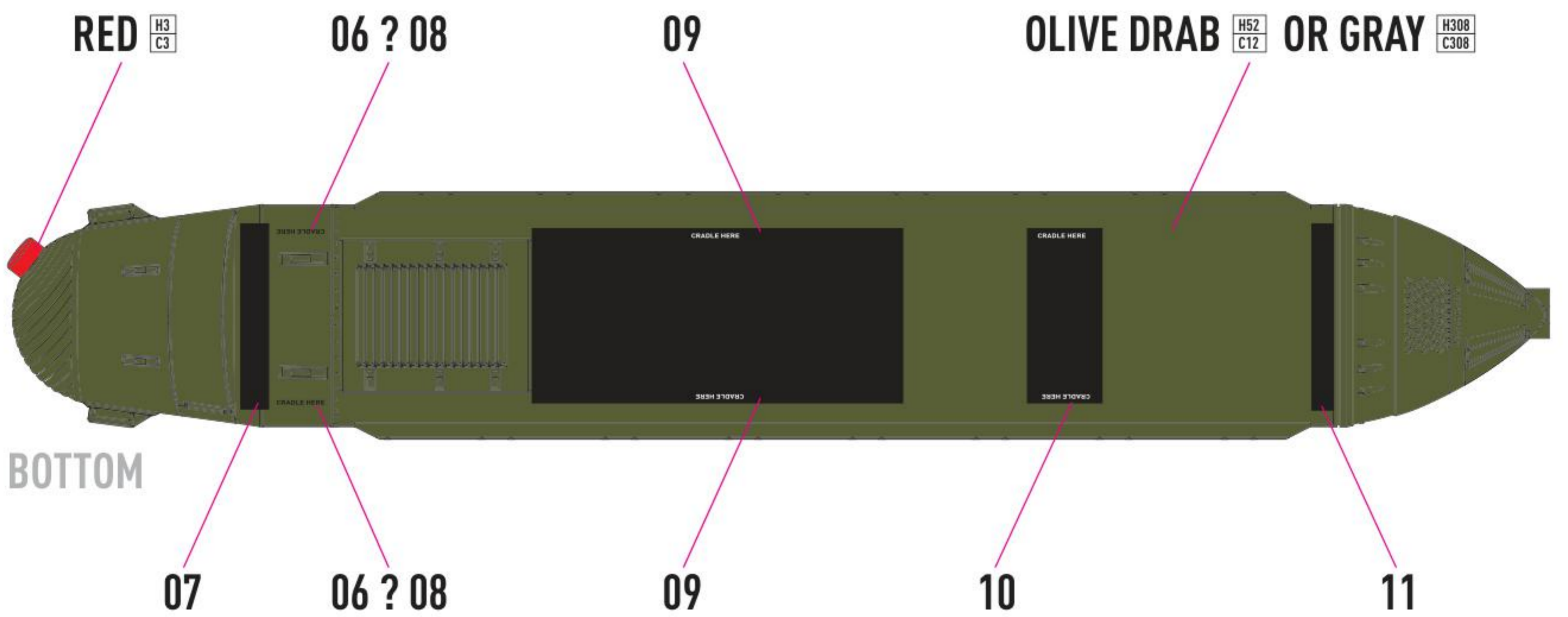
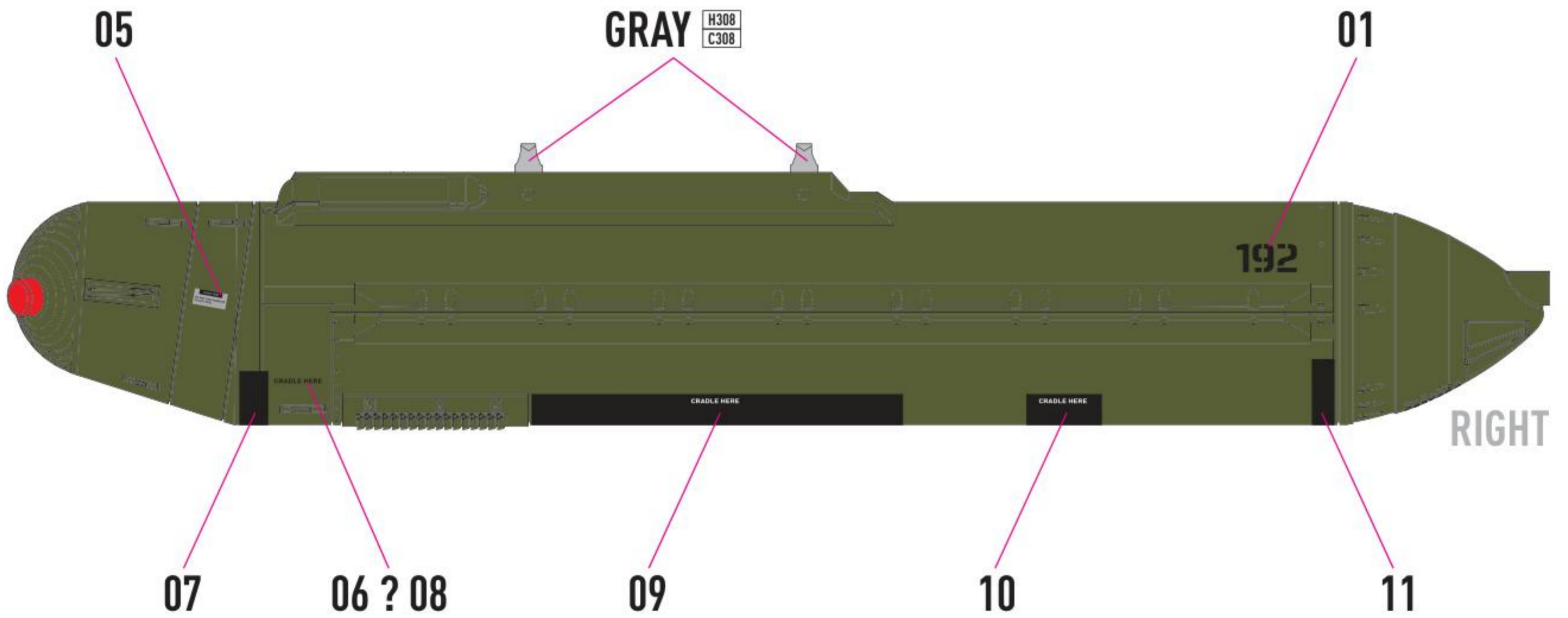
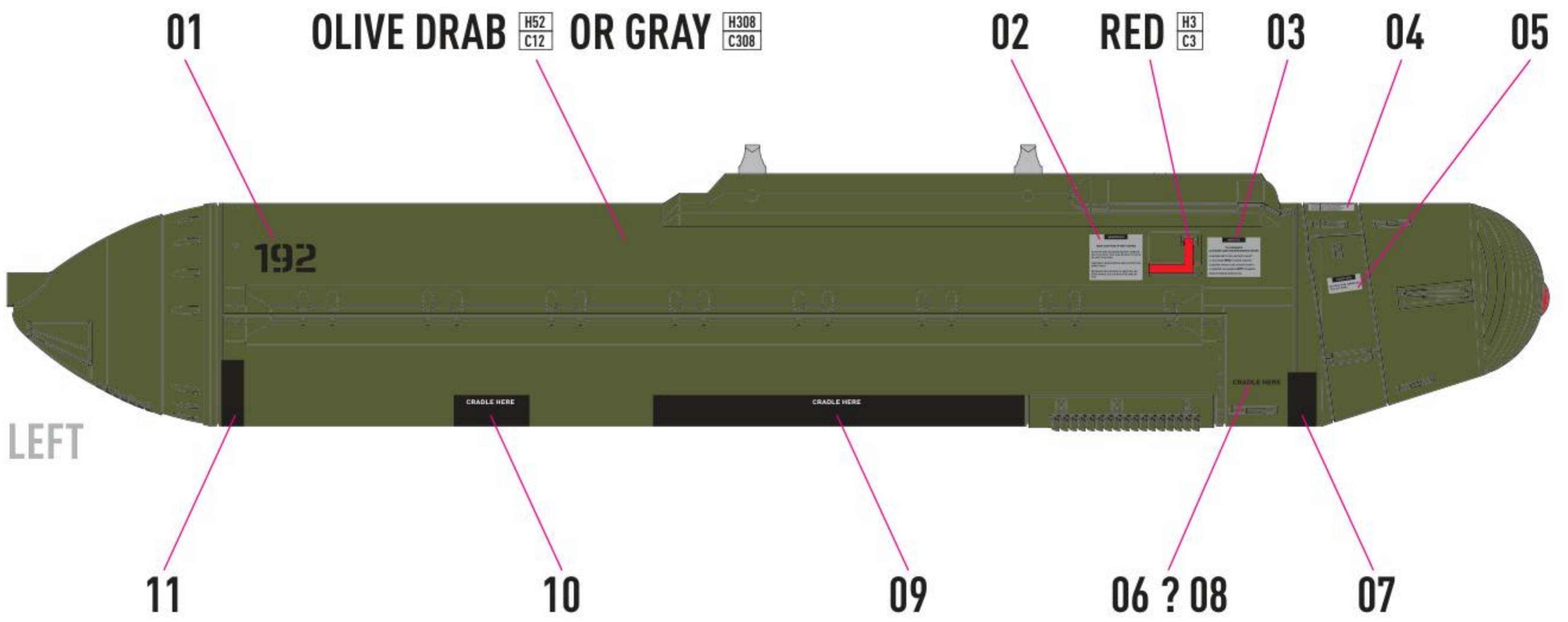


DETAILS AFTER REMOVAL FROM SUPPORTS



 USE A SAW TO REMOVE SUPPORTS FROM 3D PRINTED PARTS





COLORS	GUNZE / AQUEOUS	GUNZE / MR.COLOR
OLIVE DRAB	H52	C12

COLORS	GUNZE / AQUEOUS	GUNZE / MR.COLOR
GRAY	H308	C308

COLORS	GUNZE / AQUEOUS	GUNZE / MR.COLOR
RED	H3	C3