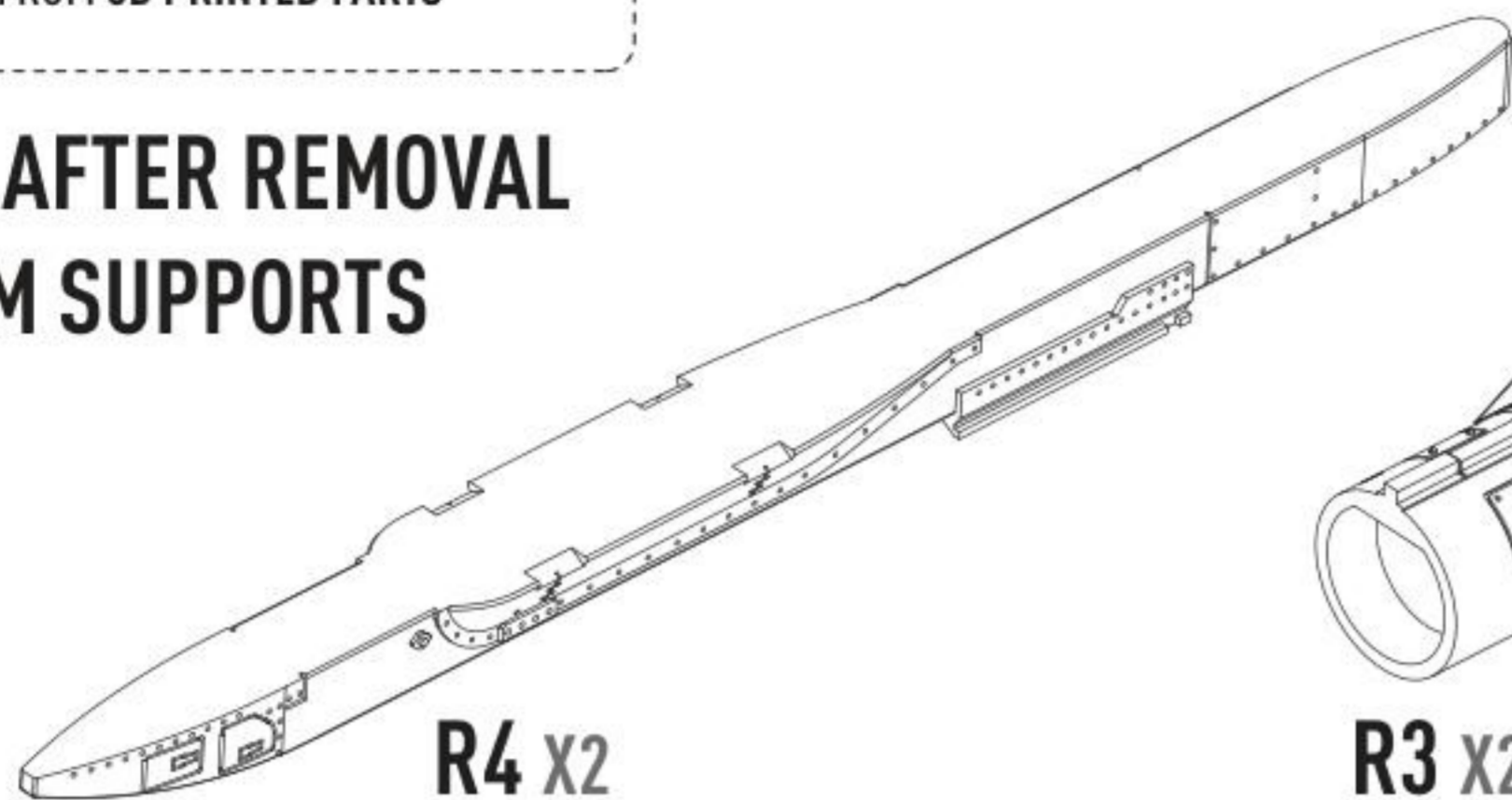


 USE A SAW TO REMOVE SUPPORTS FROM 3D PRINTED PARTS

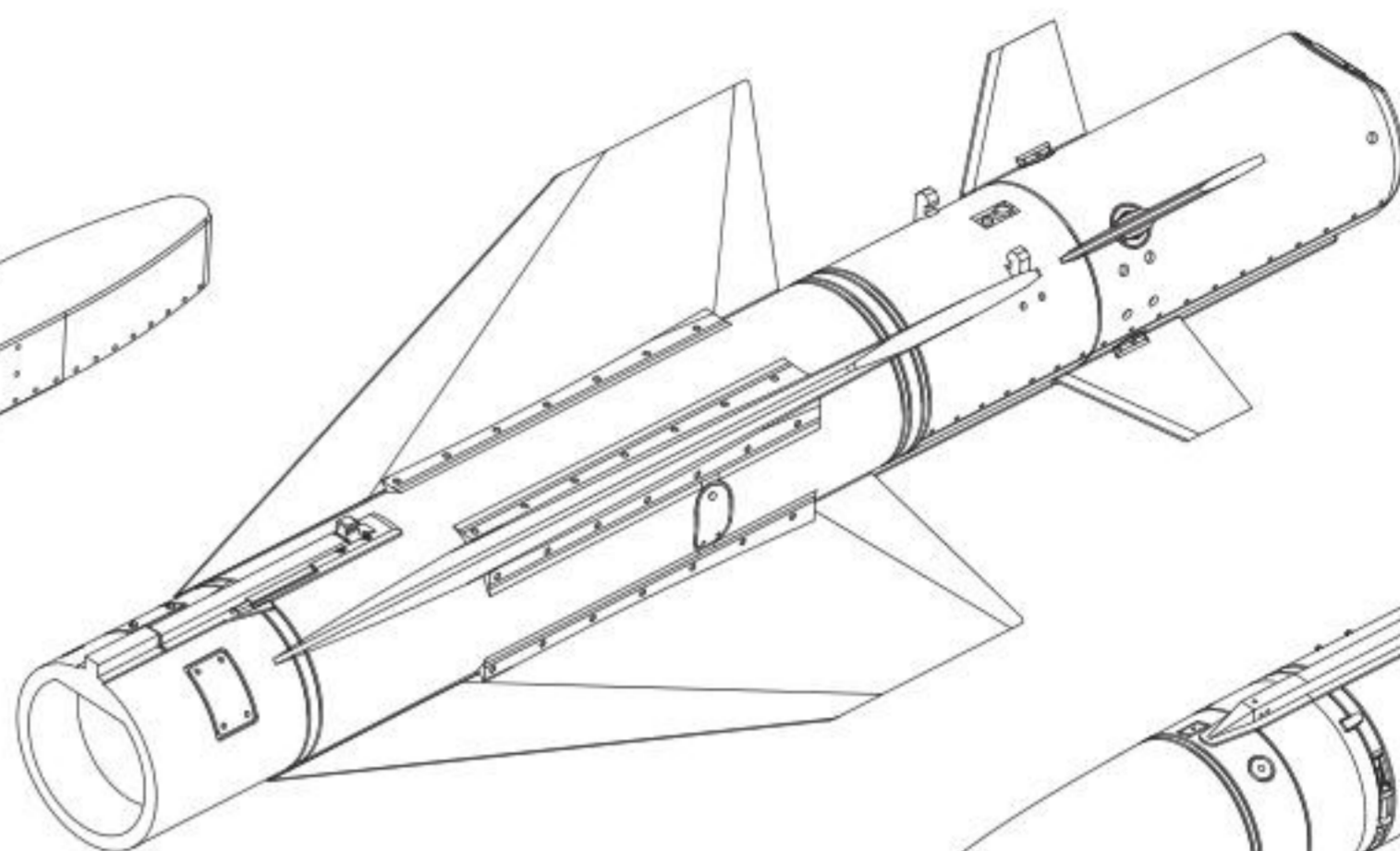
**DETAILS AFTER REMOVAL FROM SUPPORTS**



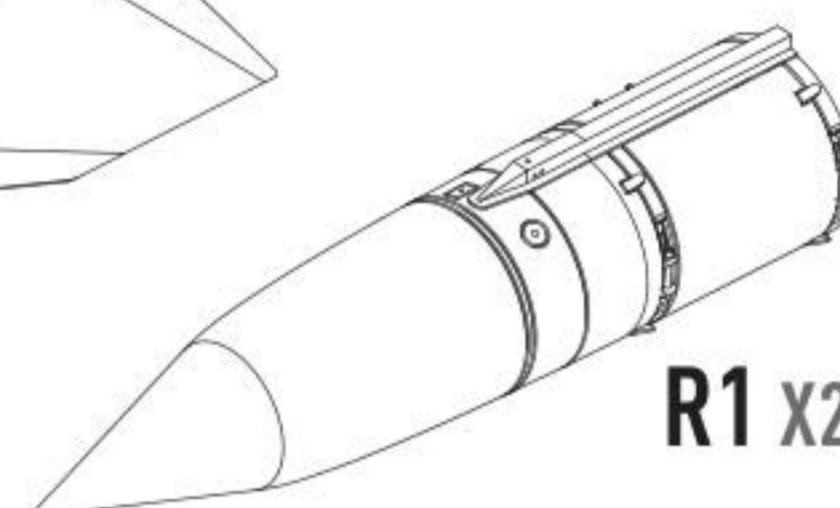
**R2 X2**



**R4 X2**

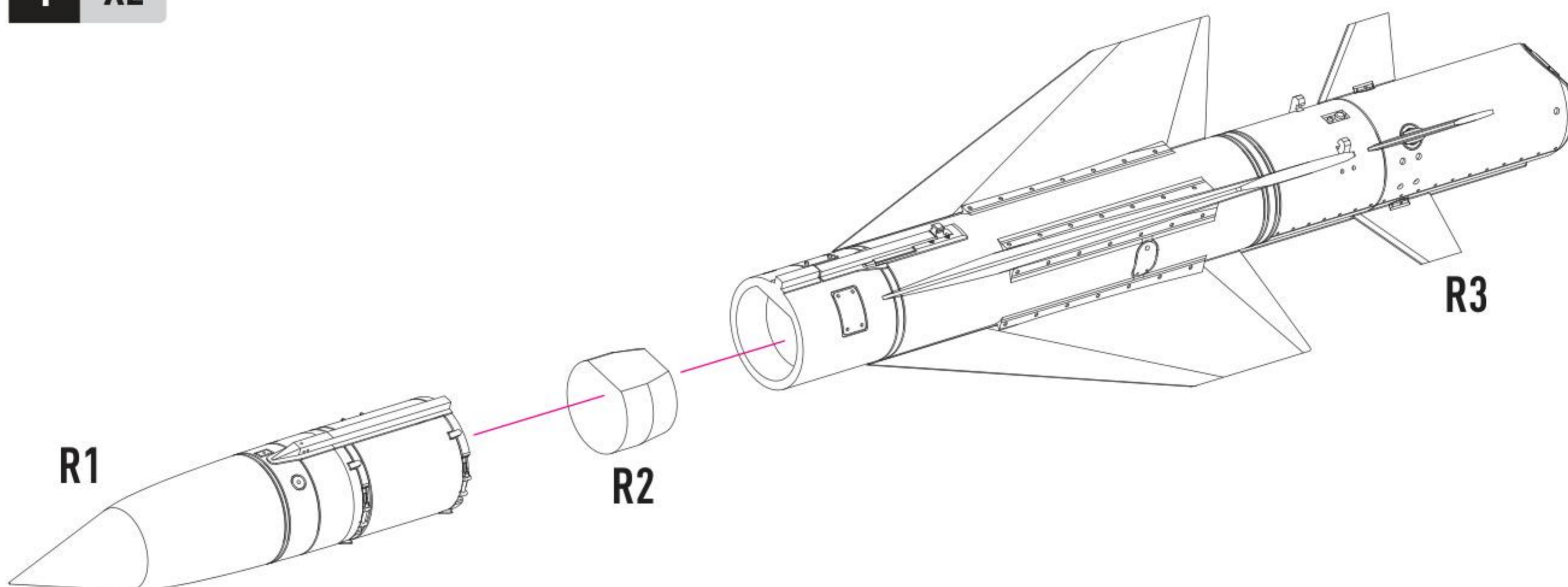


**R3 X2**

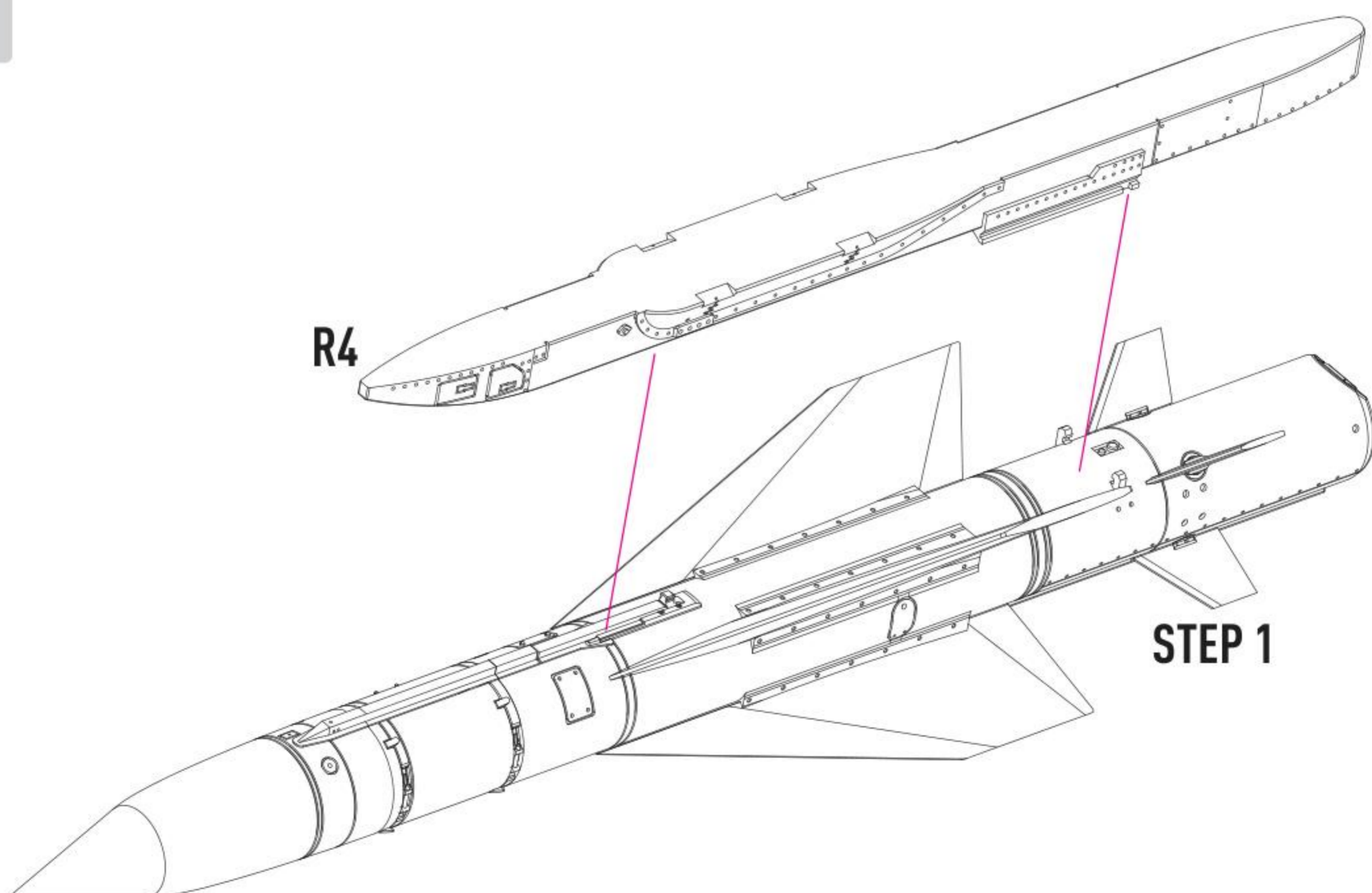


**R1 X2**

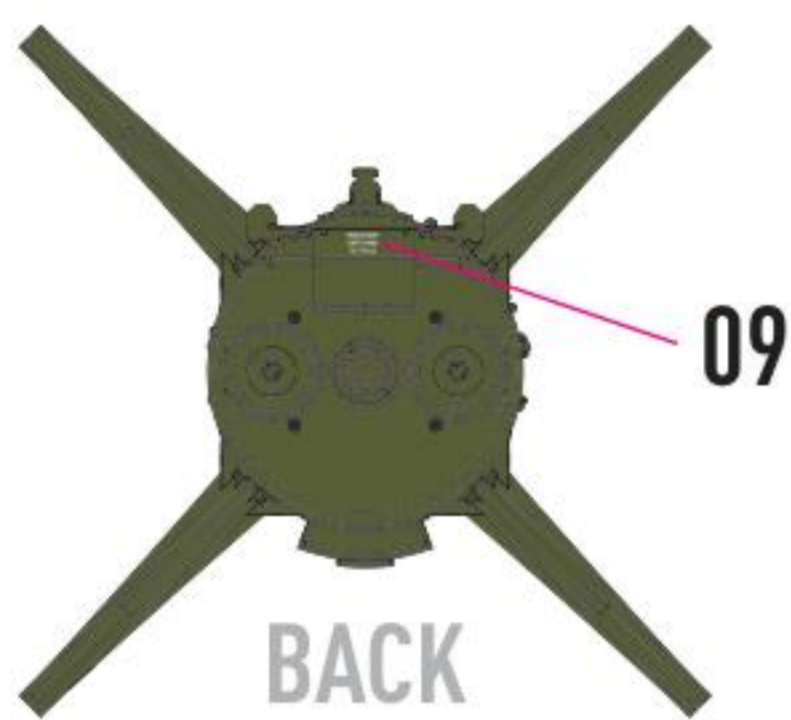
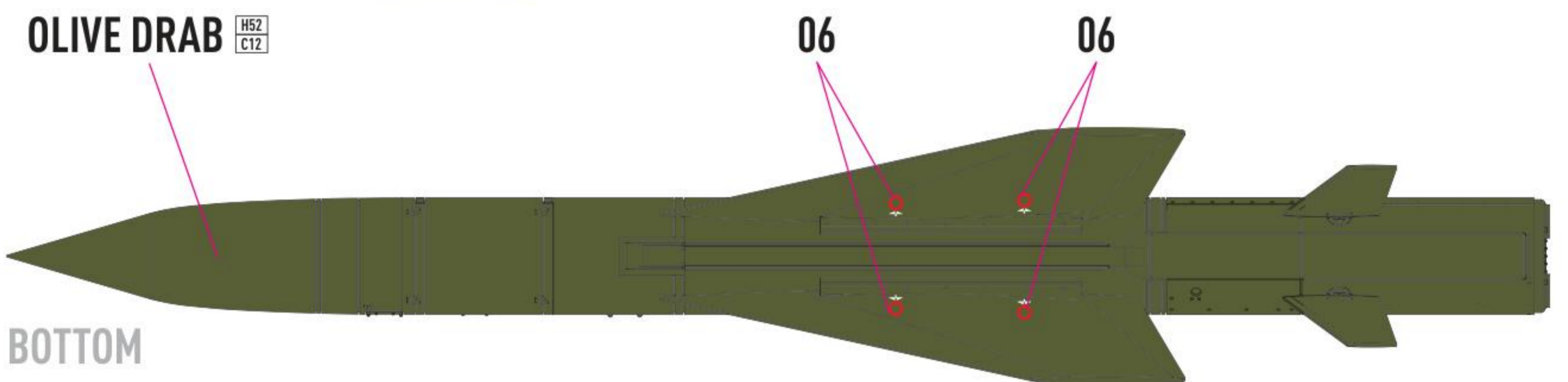
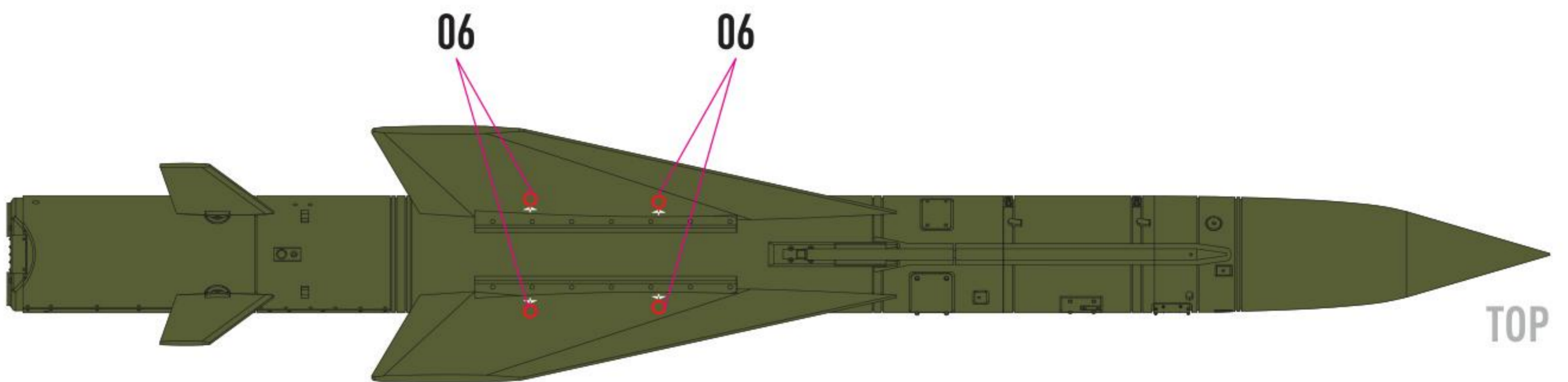
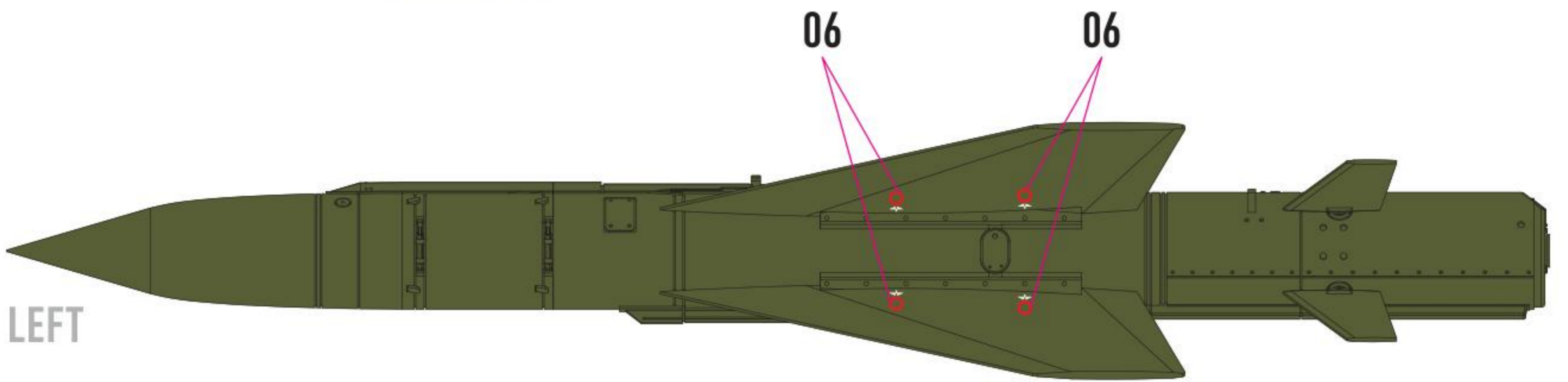
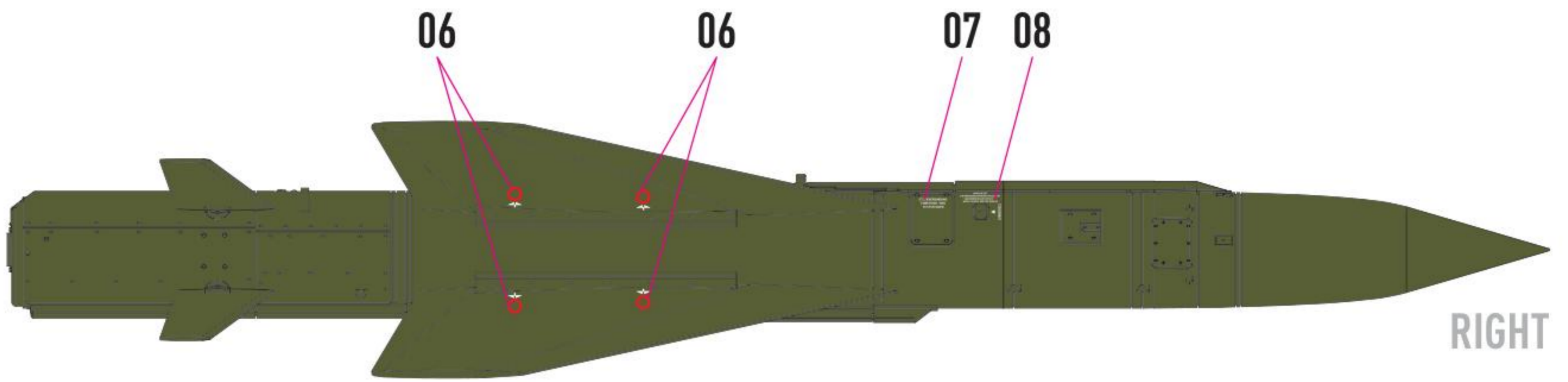
**1 X2**



**2 X2**



# DECAL INSTRUCTION



COLORS	GUNZE / AQUEOUS	GUNZE / MR.COLOR
 OLIVE DRAB	H52	C12

