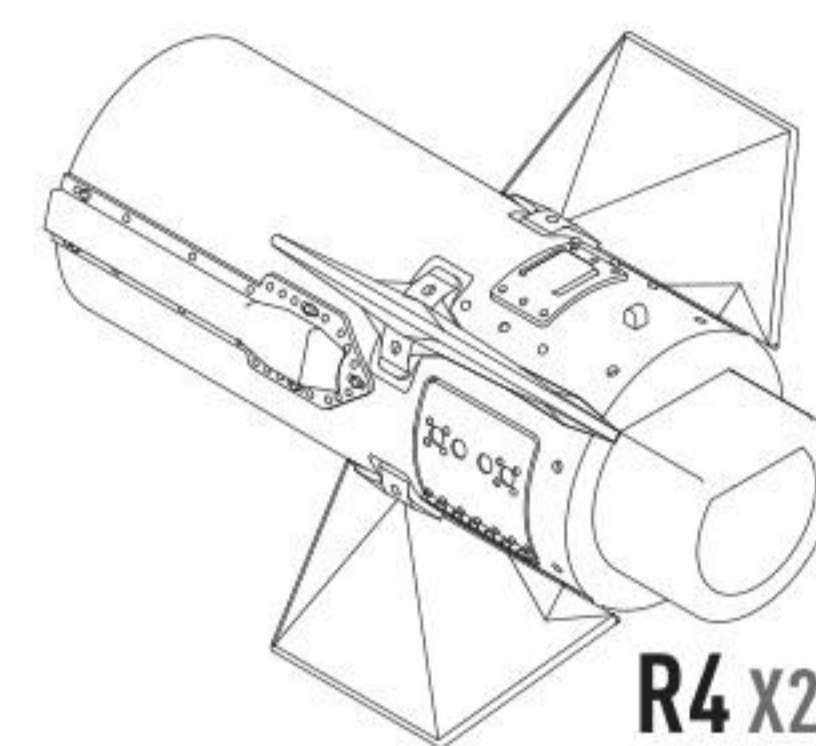


COLORS	GUNZE / AEGEUS	GUNZE / MR.COLOR
SEMI GLOSS BLACK		C92
GUNSHIP GRAY	H305	C305

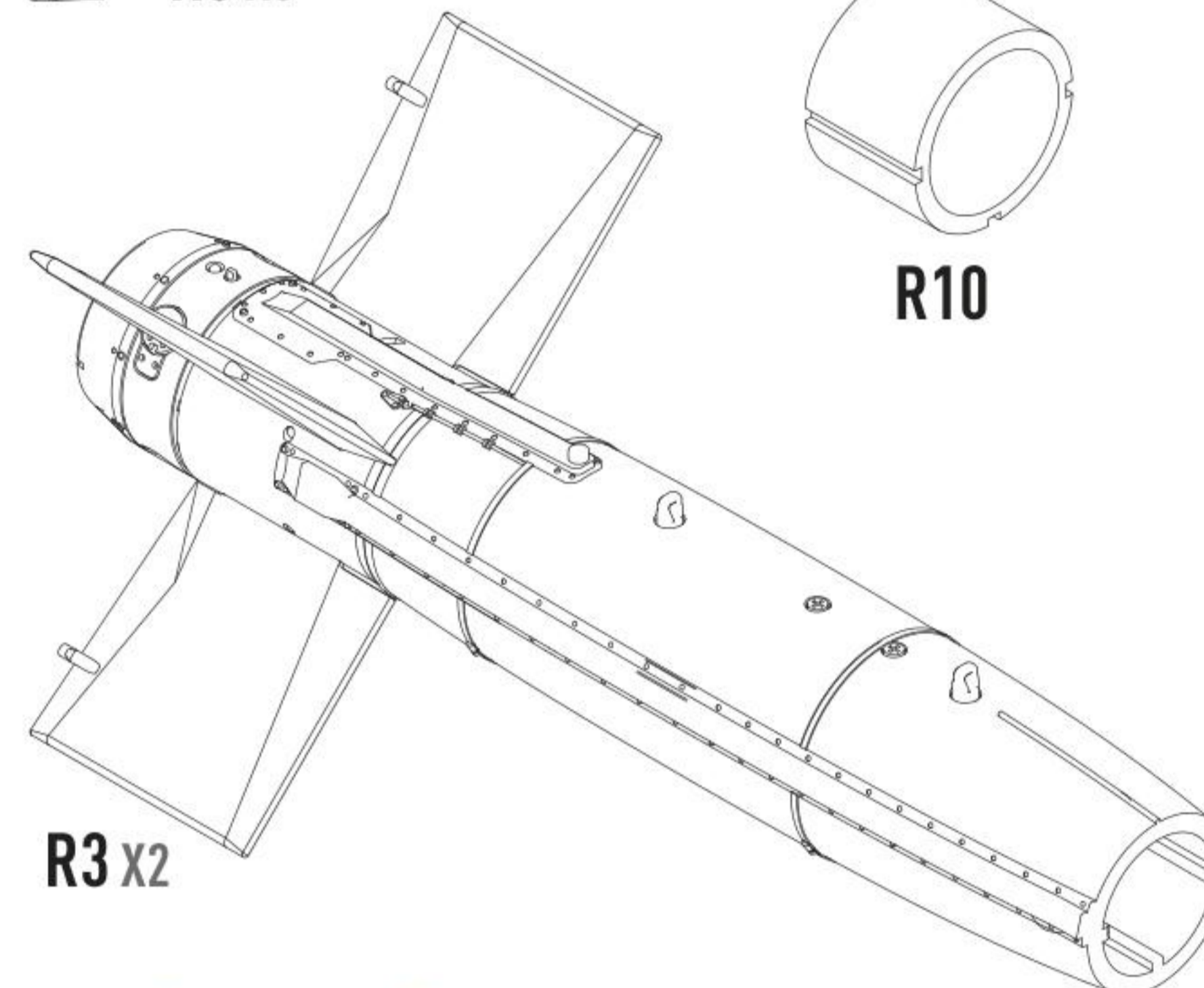
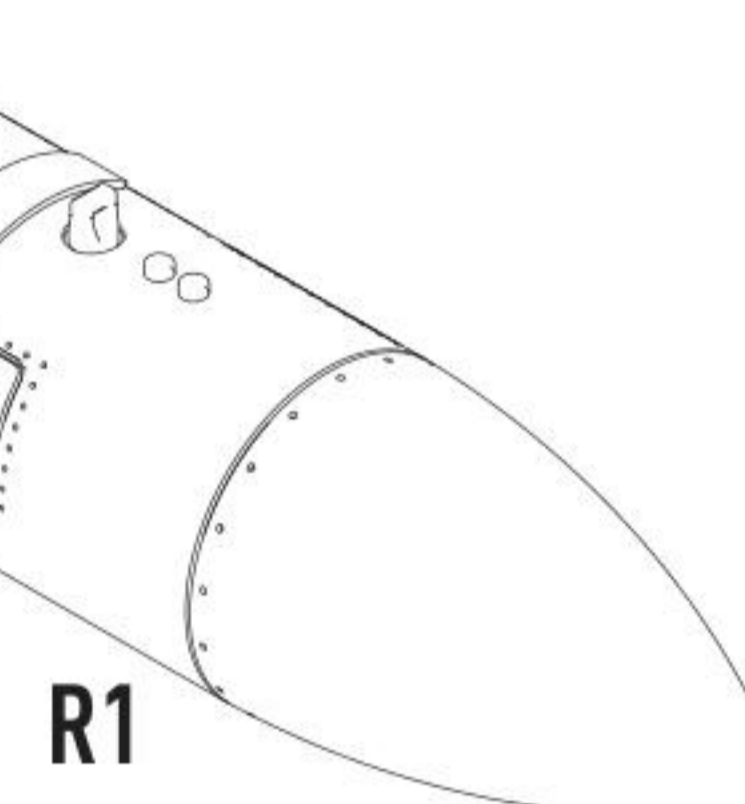
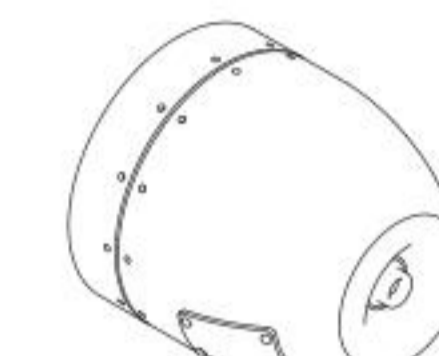
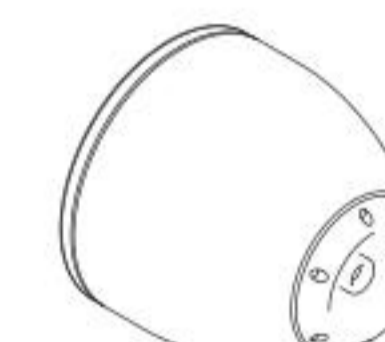
COLORS	GUNZE / AEGEUS	GUNZE / MR.COLOR
OLIVE DRAB	H52	C21

COLORS	GUNZE / AEGEUS	GUNZE / MR.COLOR
RED	H305	C305

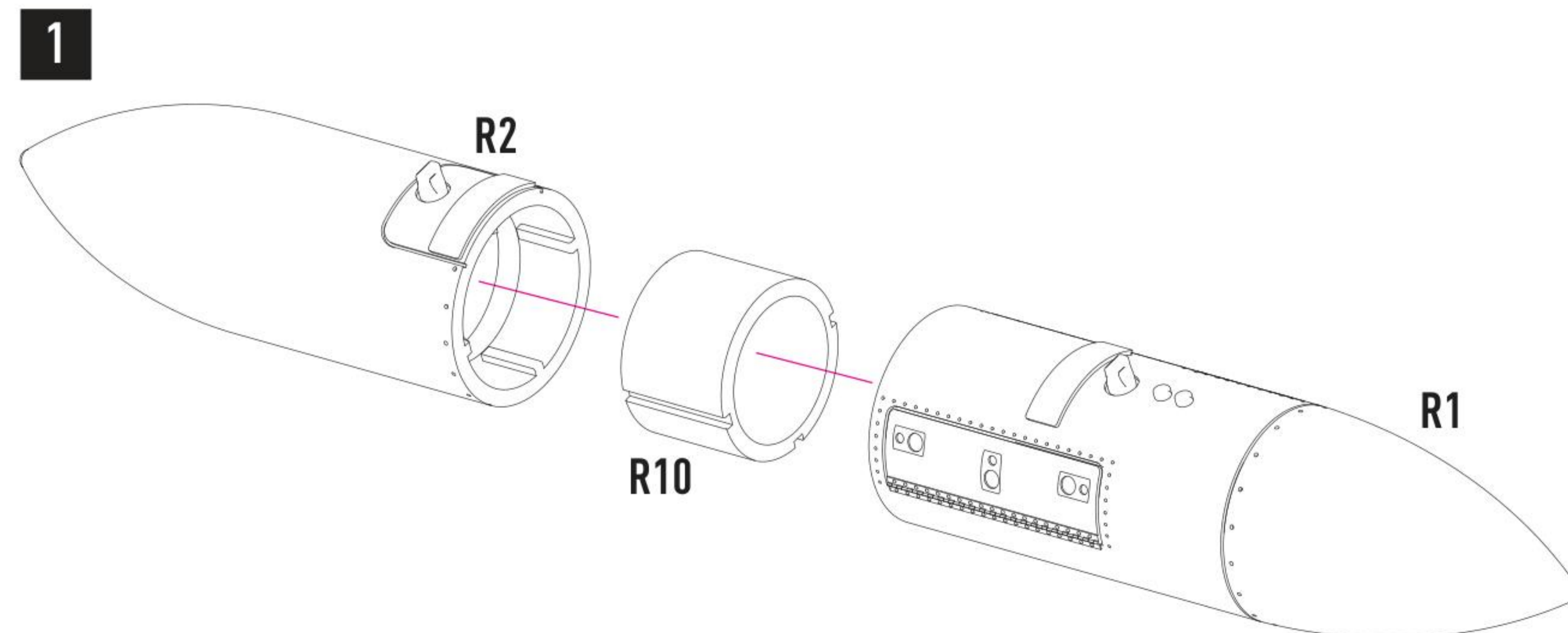


**USE A SAW TO REMOVE SUPPORTS FROM 3D PRINTED PARTS**

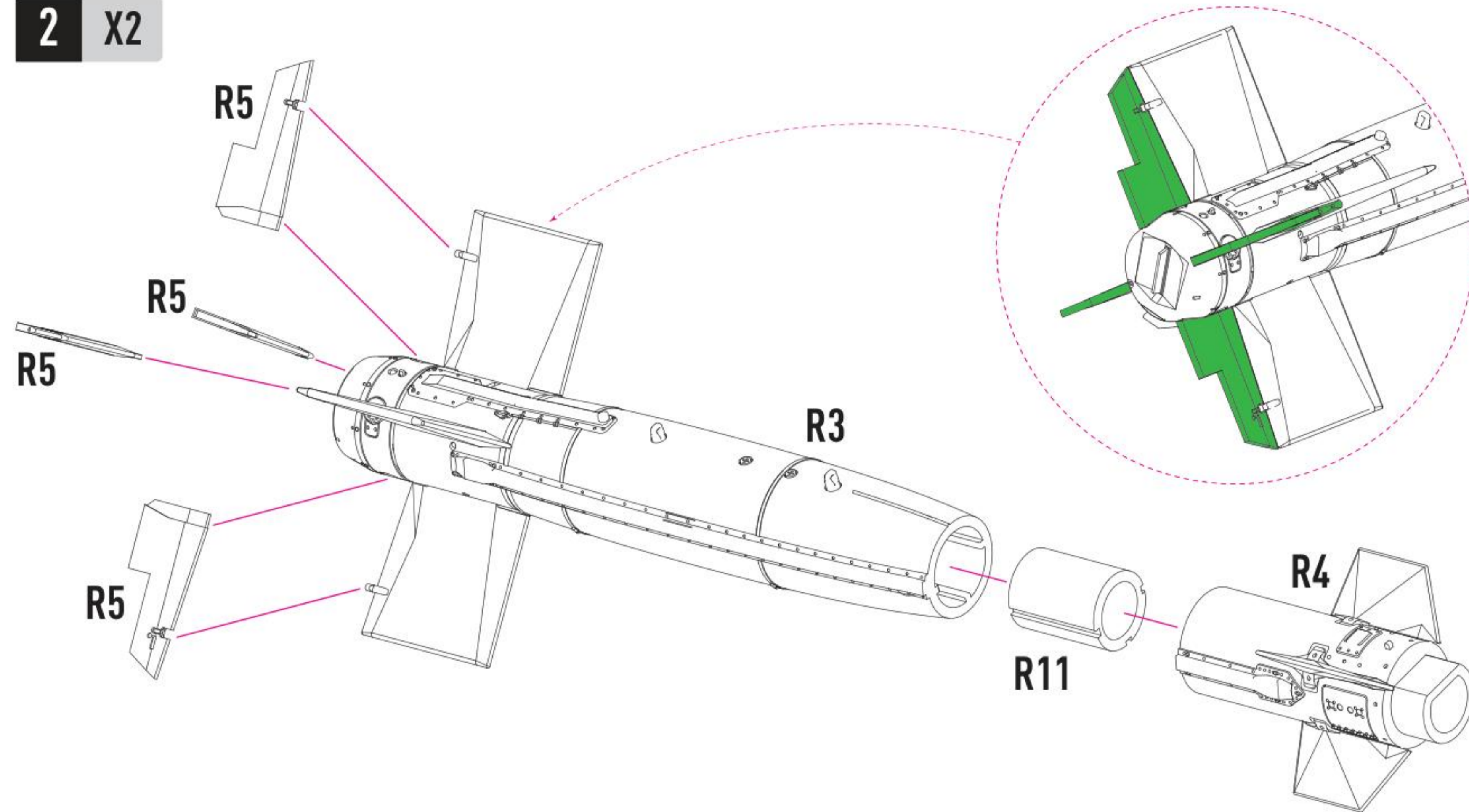
**DETAILS AFTER REMOVAL FROM SUPPORTS**



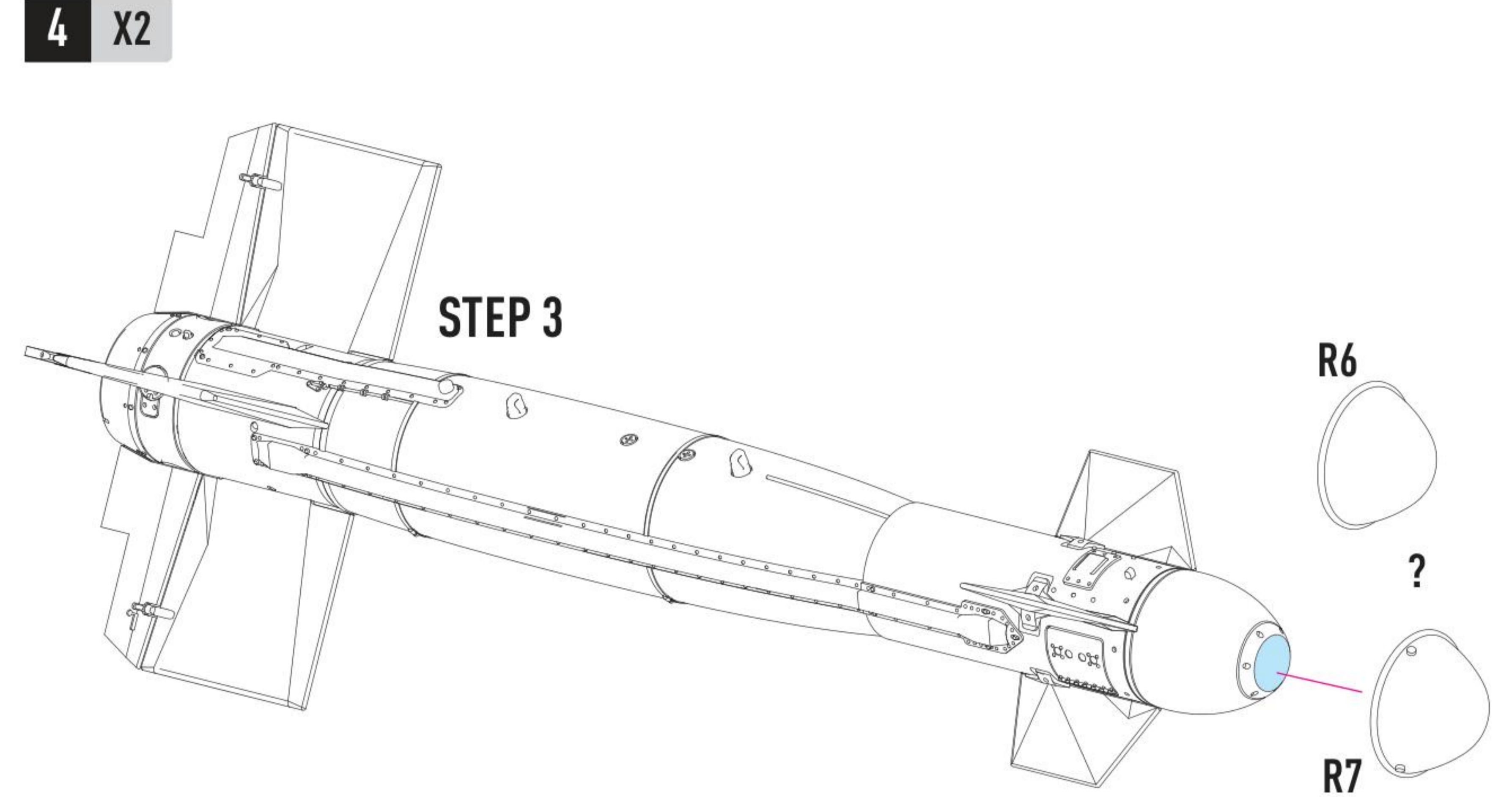
**BEFORE INSTALLATION - APPLY GLOSS VARNISH TO G1 AND G2 PARTS**



**2** X2



**4** X2



**3** X2

