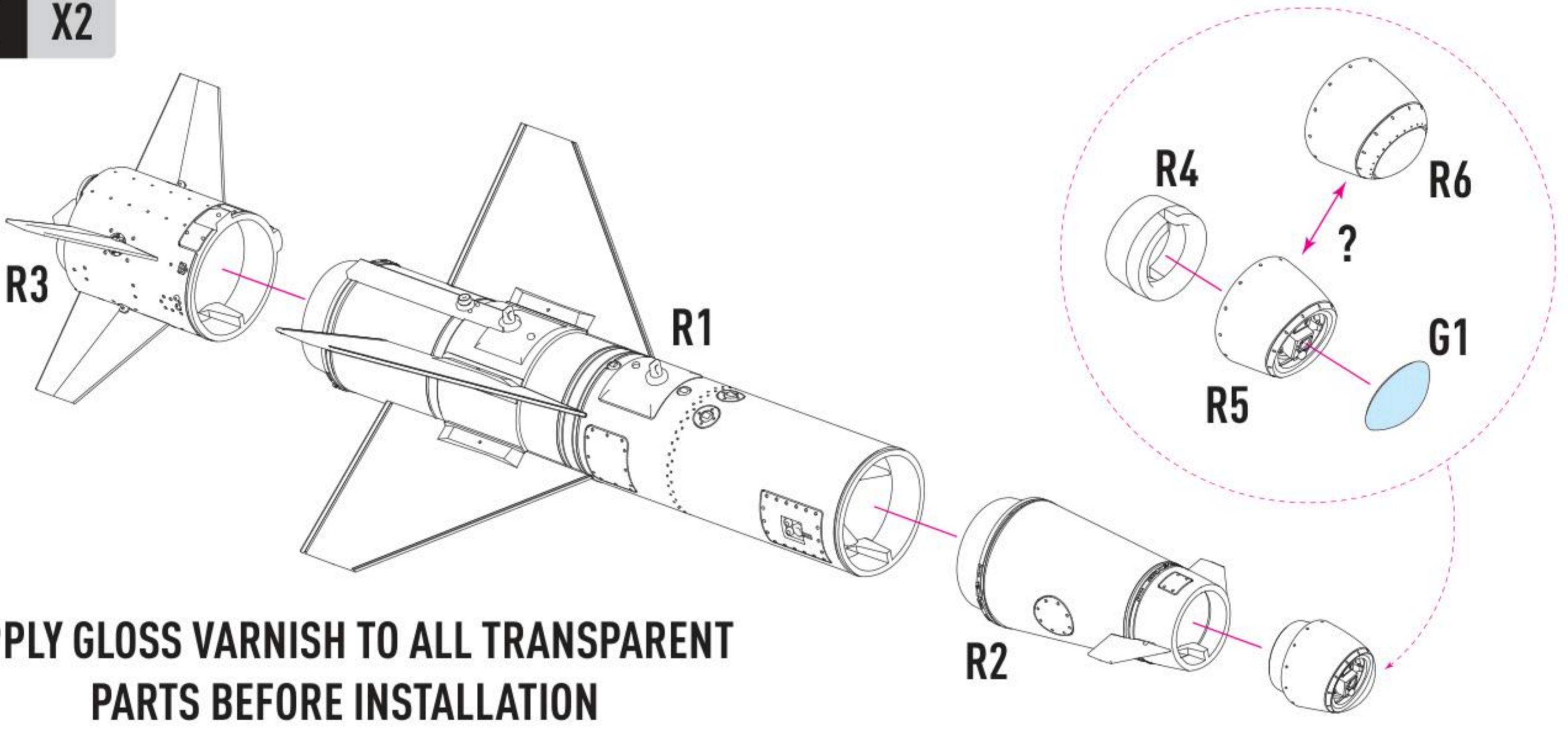
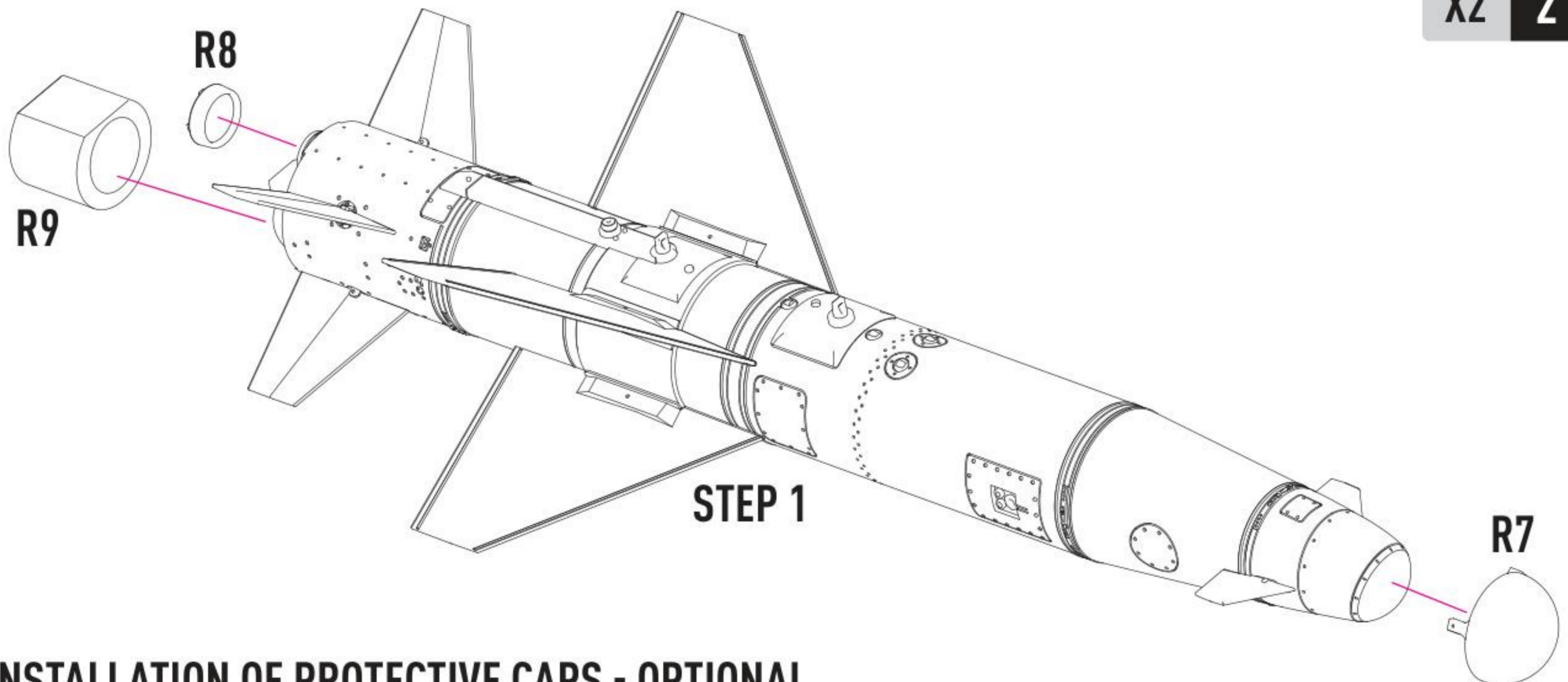


**1** X2



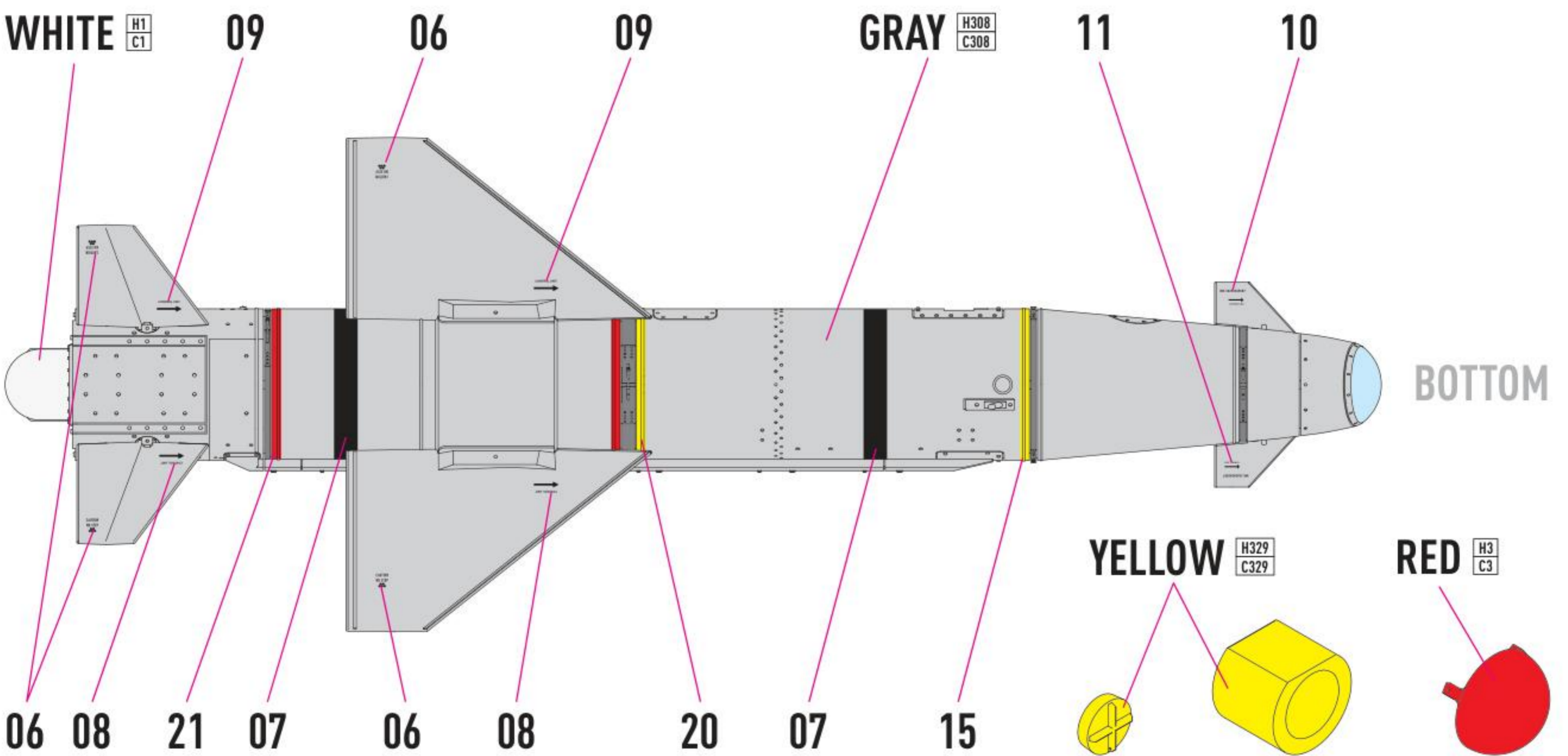
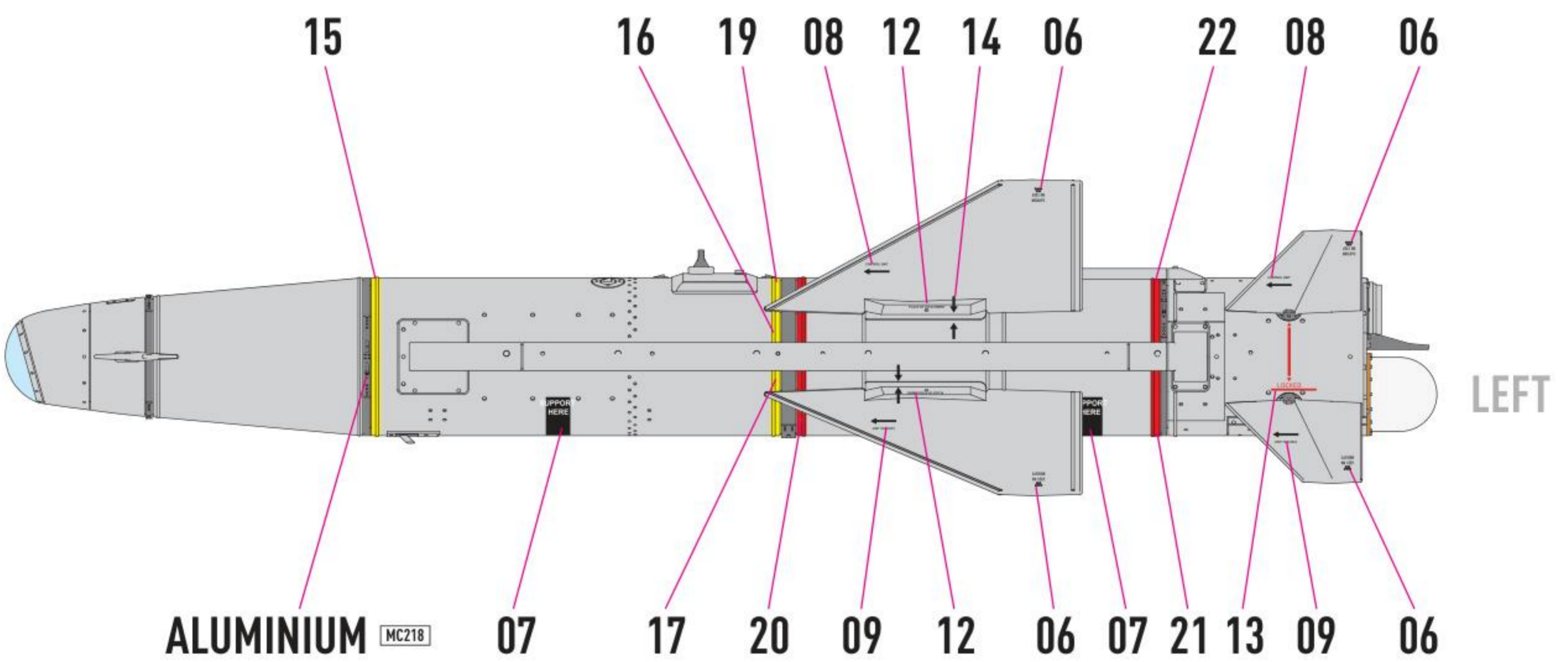
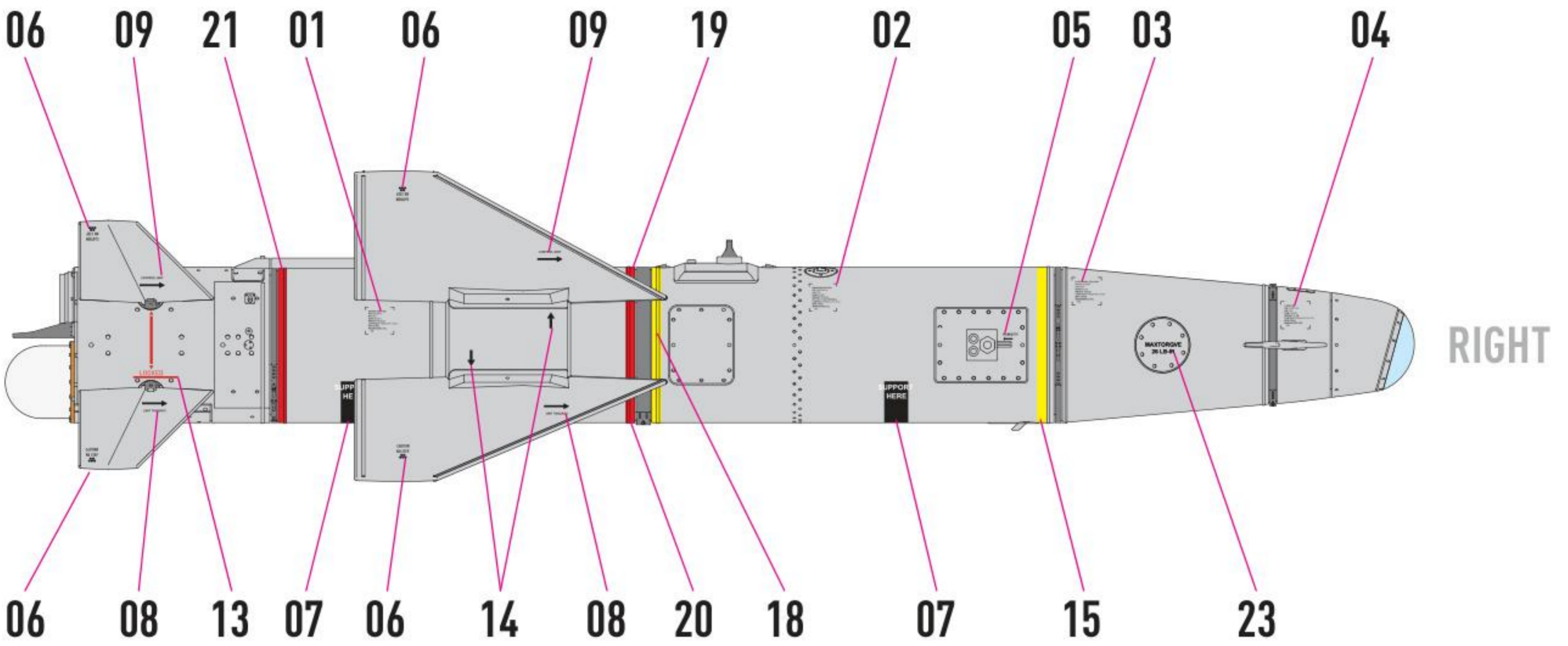
**APPLY GLOSS VARNISH TO ALL TRANSPARENT PARTS BEFORE INSTALLATION**

X2 **2**



**INSTALLATION OF PROTECTIVE CAPS - OPTIONAL**

# DECAL INSTRUCTION



COLORS	GUNZE / AQUEOUS	GUNZE / MR.COLOR
RED	H3	C3

COLORS	GUNZE / AQUEOUS	GUNZE / MR.COLOR
YELLOW	H329	C329
GRAY	H308	C308

COLORS	GUNZE / AQUEOUS	GUNZE / MR.COLOR
WHITE	H1	C1
ALUMINIUM	MC218	

general Issues: [info@reskit.com.ua](mailto:info@reskit.com.ua) / claim resolution: [claims@reskit.com.ua](mailto:claims@reskit.com.ua)

**RESKIT-MODELS.COM**

[fb.com/reskit.official](https://fb.com/reskit.official)

[instagram.com/reskit\\_official](https://instagram.com/reskit_official)

[pinterest.com/reskit\\_official](https://pinterest.com/reskit_official)