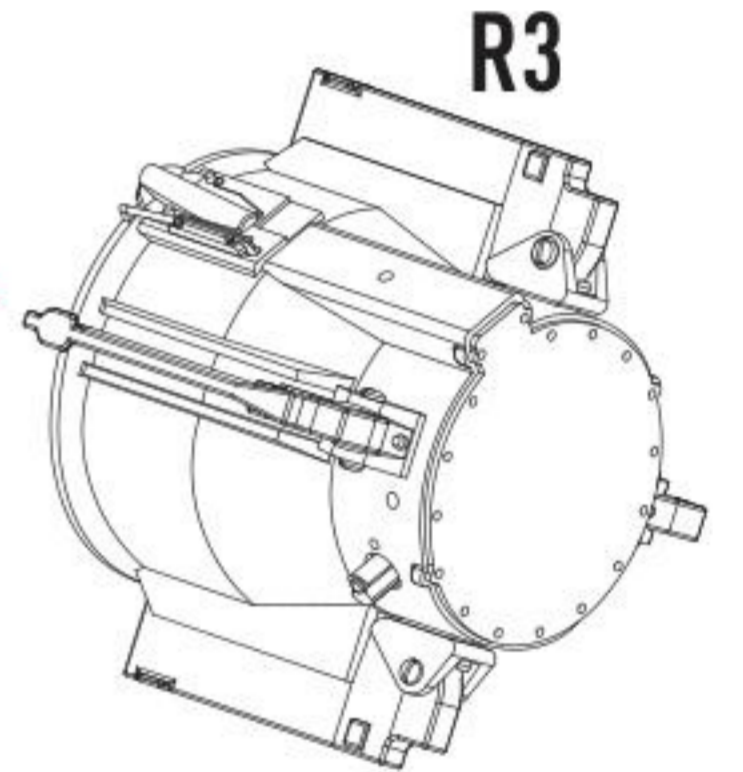
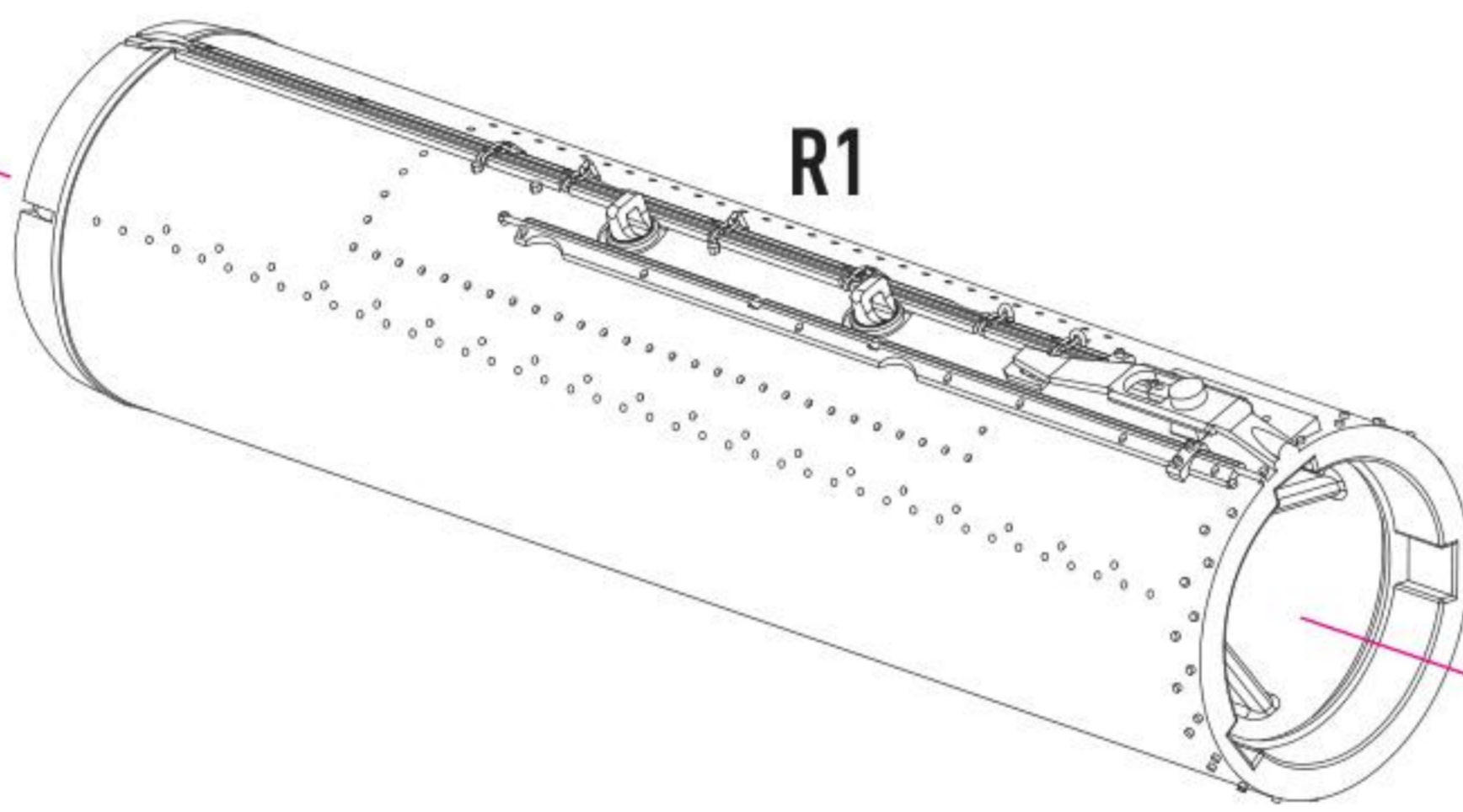
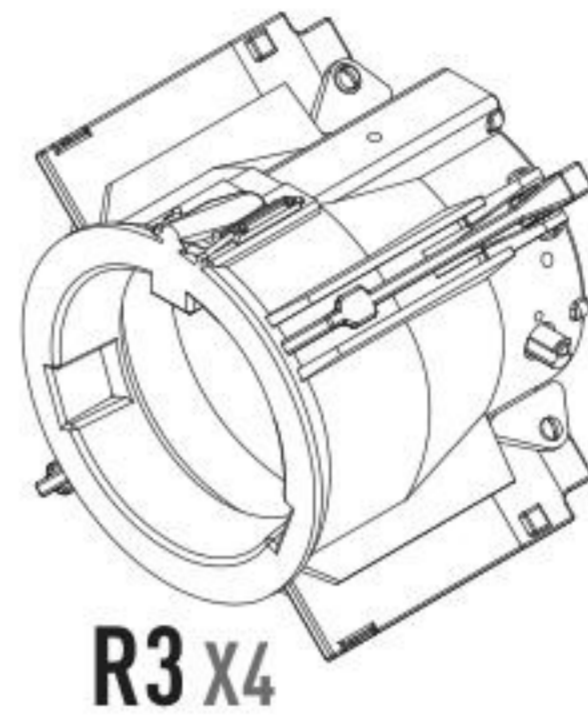
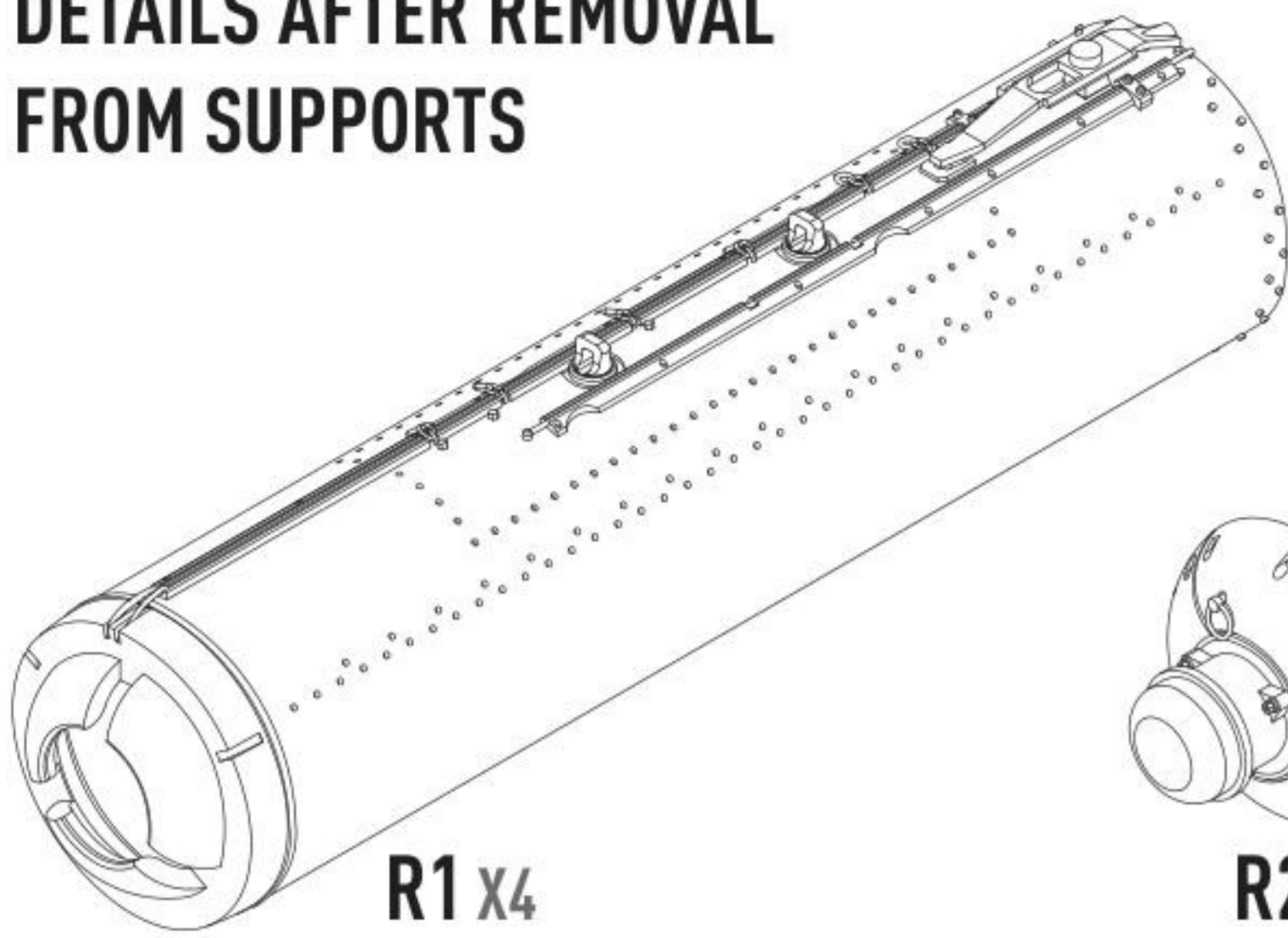


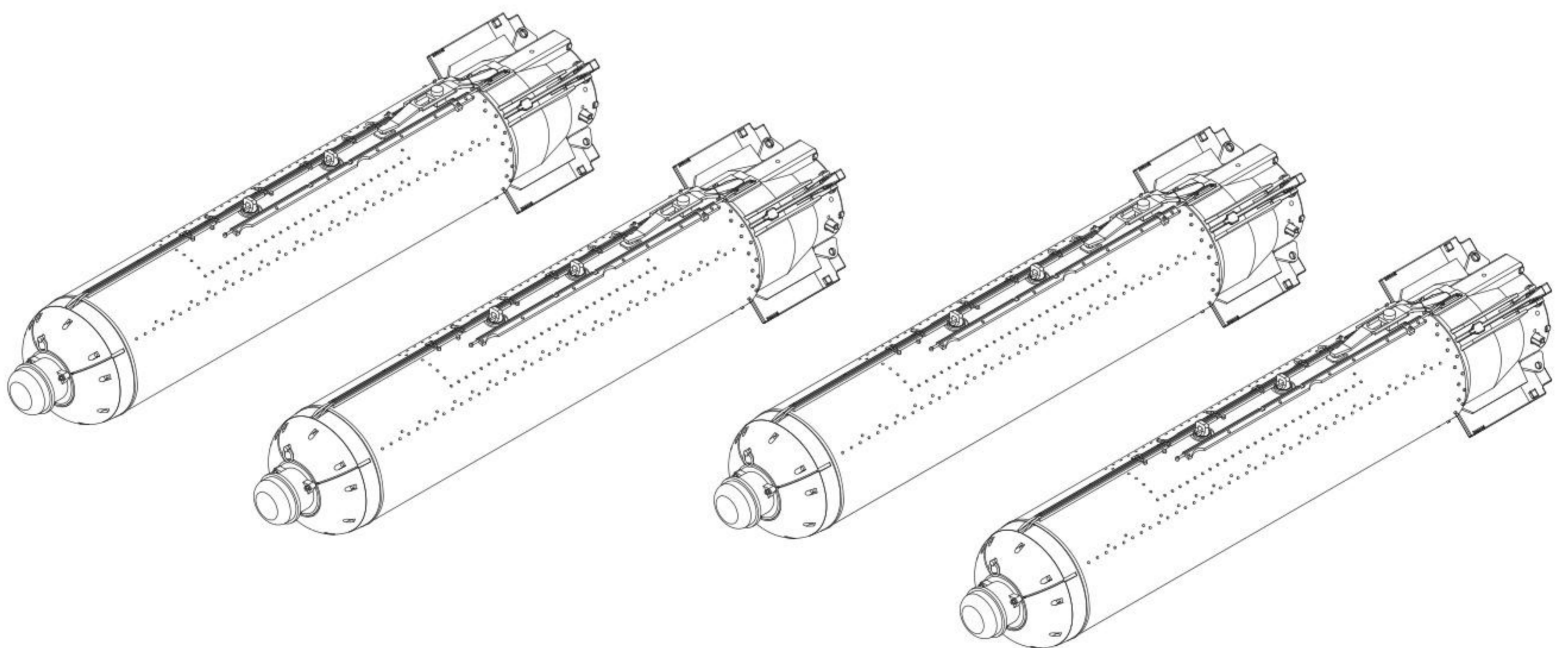
**DETAILS AFTER REMOVAL
FROM SUPPORTS**

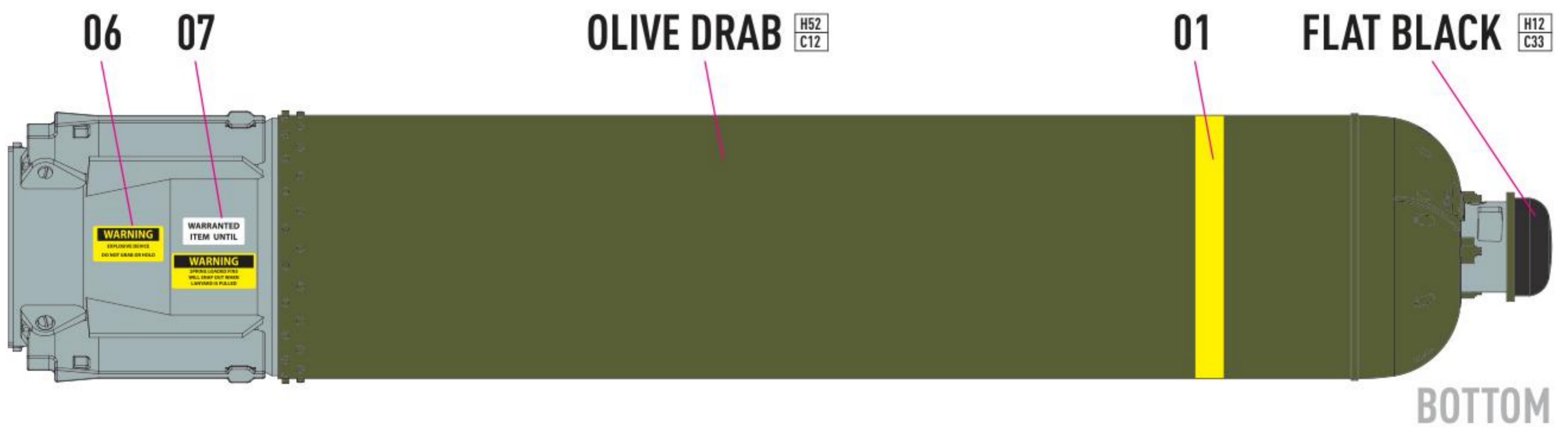
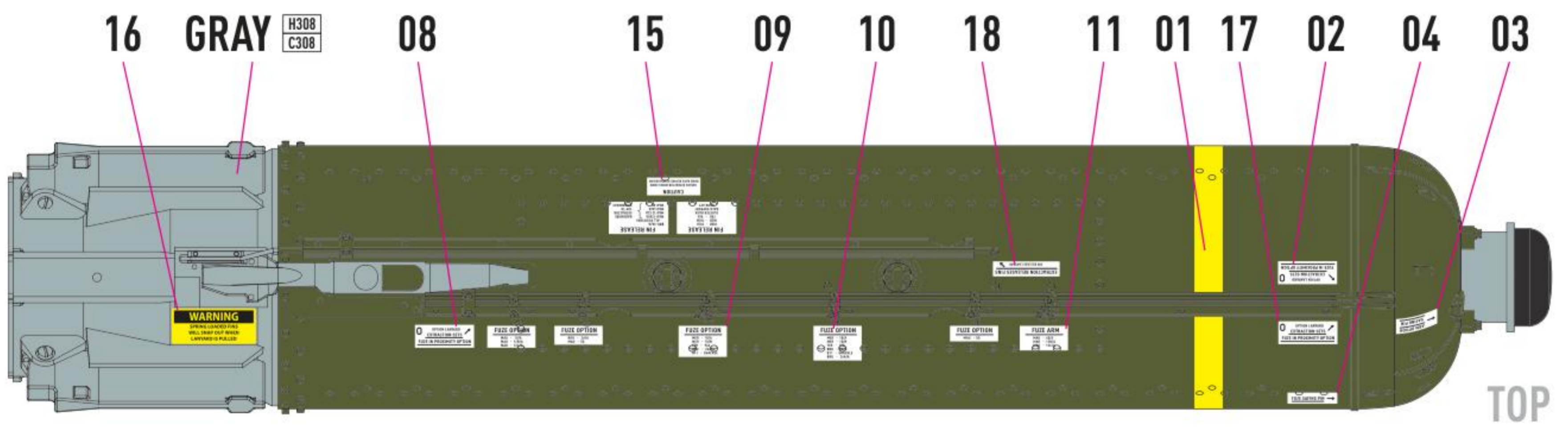
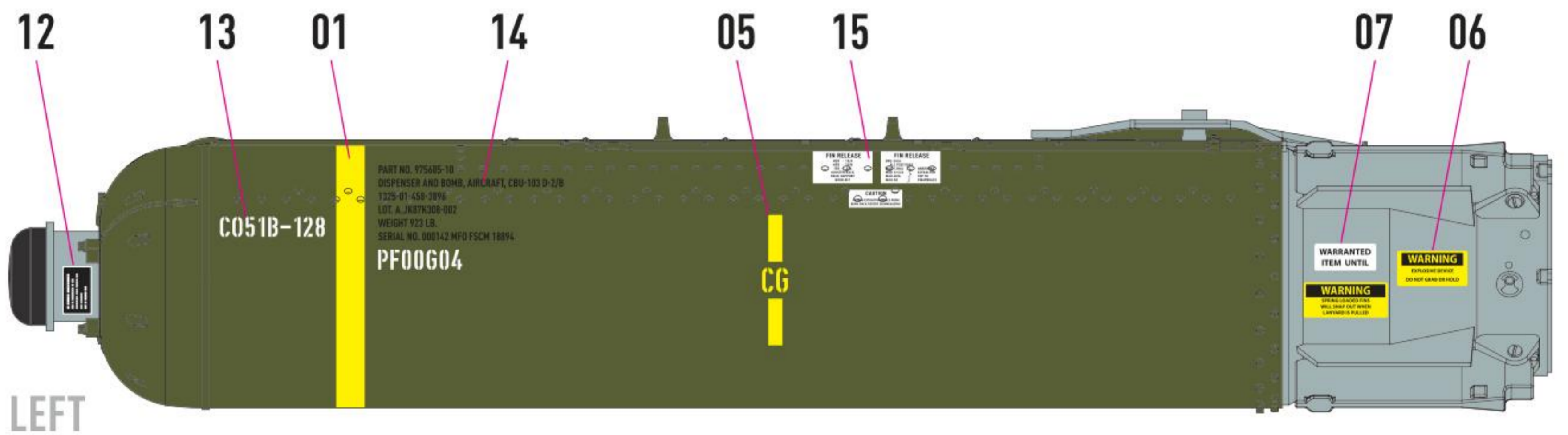
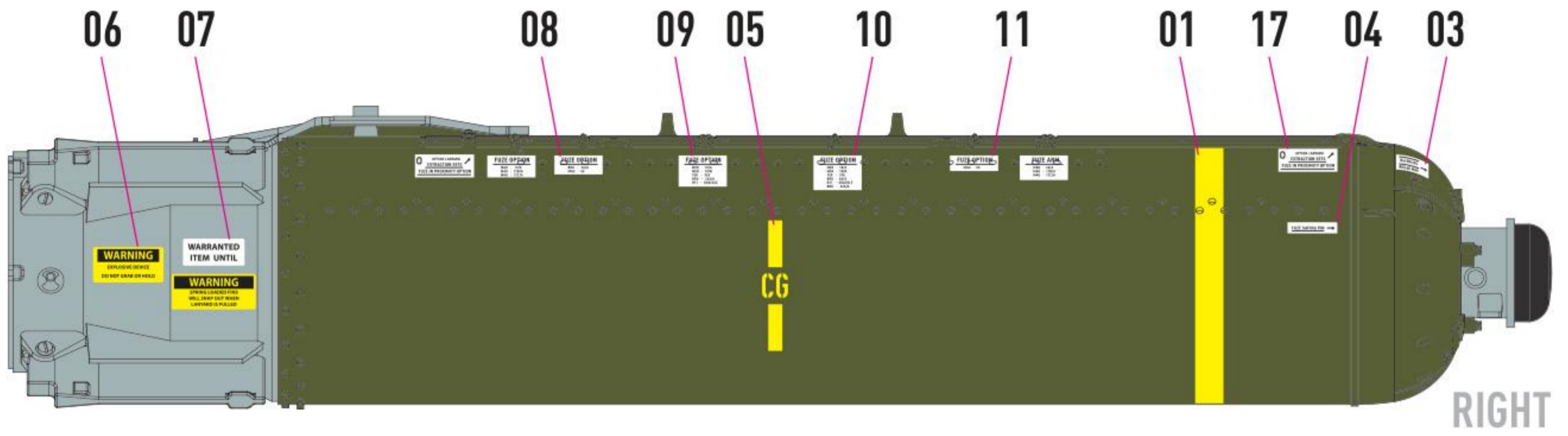


USE A SAW TO REMOVE SUPPORTS
FROM 3D PRINTED PARTS



X4 1





COLORS	GUNZE / AQUEOUS	GUNZE / MR.COLOR
OLIVE DRAB	H52	C12

COLORS	GUNZE / AQUEOUS	GUNZE / MR.COLOR
GRAY	H308	C308

COLORS	GUNZE / AQUEOUS	GUNZE / MR.COLOR
FLAT BLACK	H12	C33