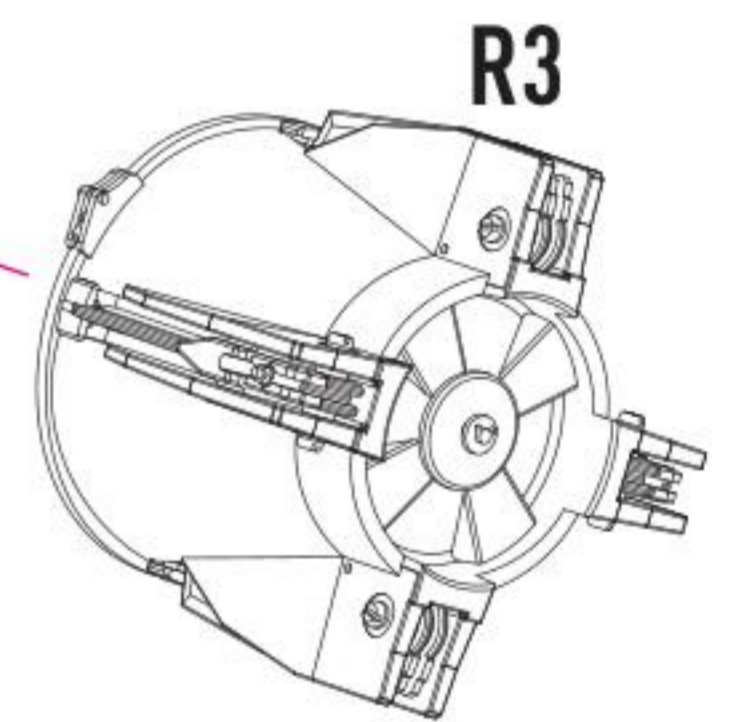
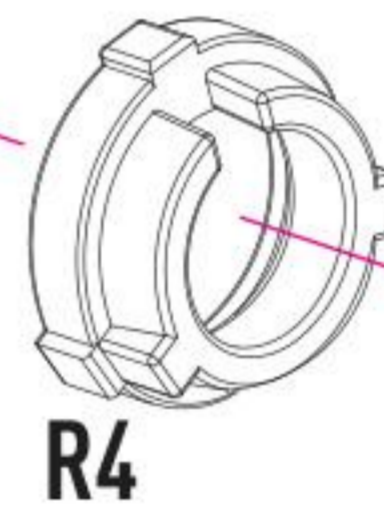
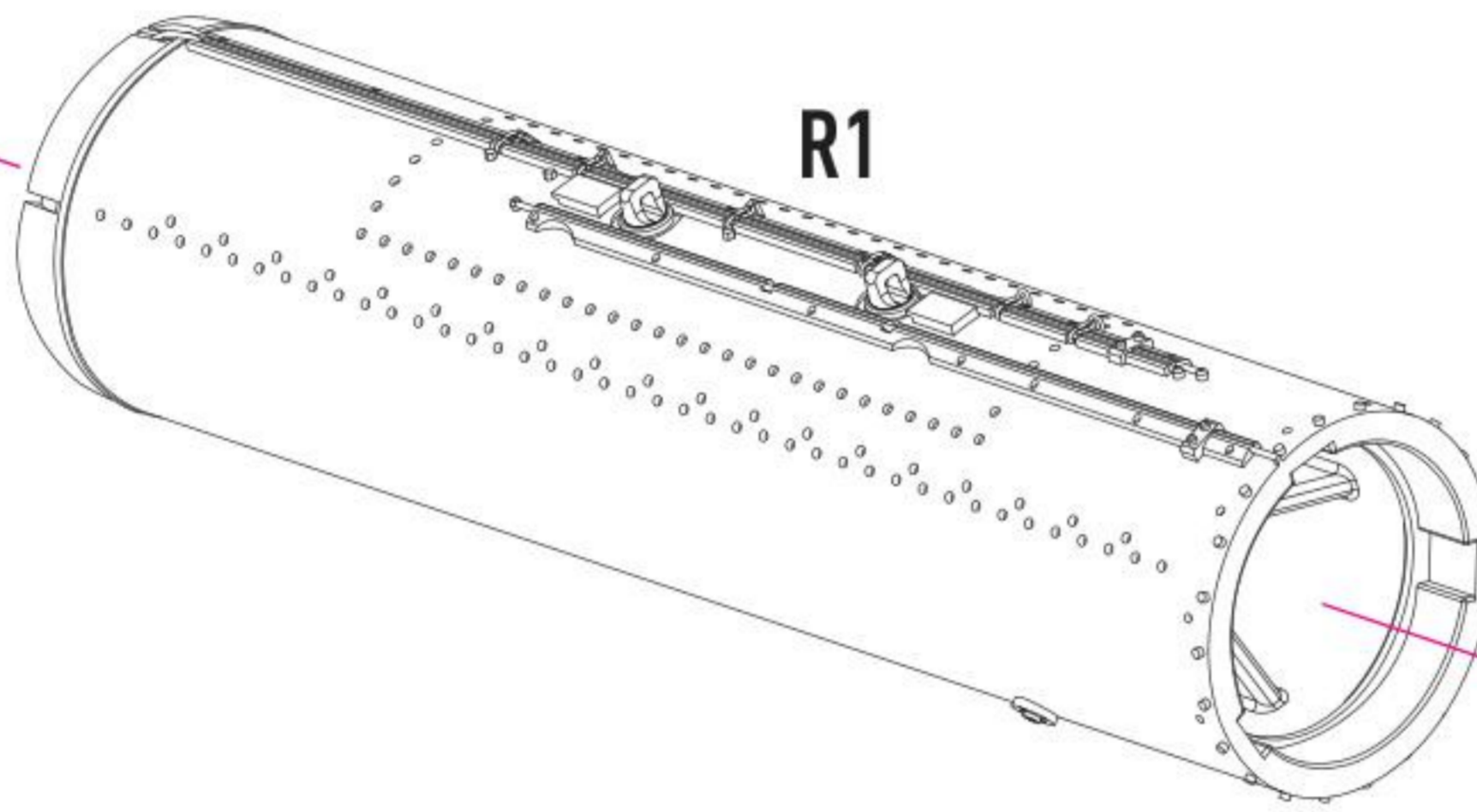
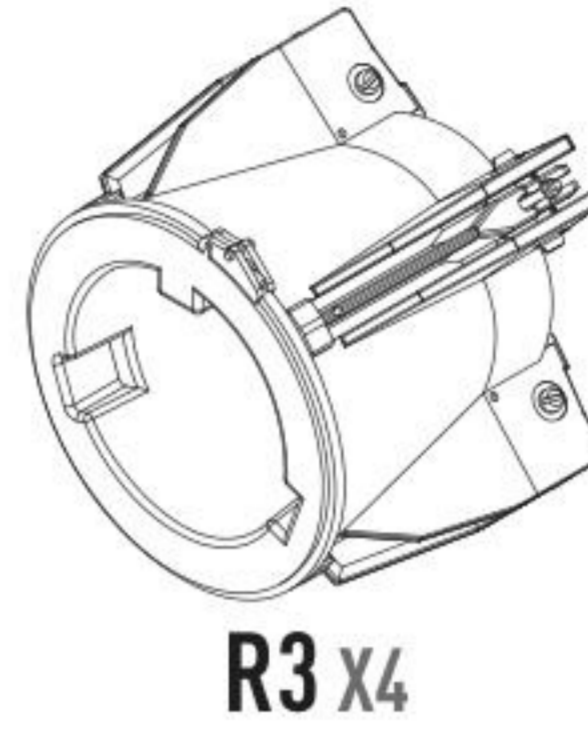
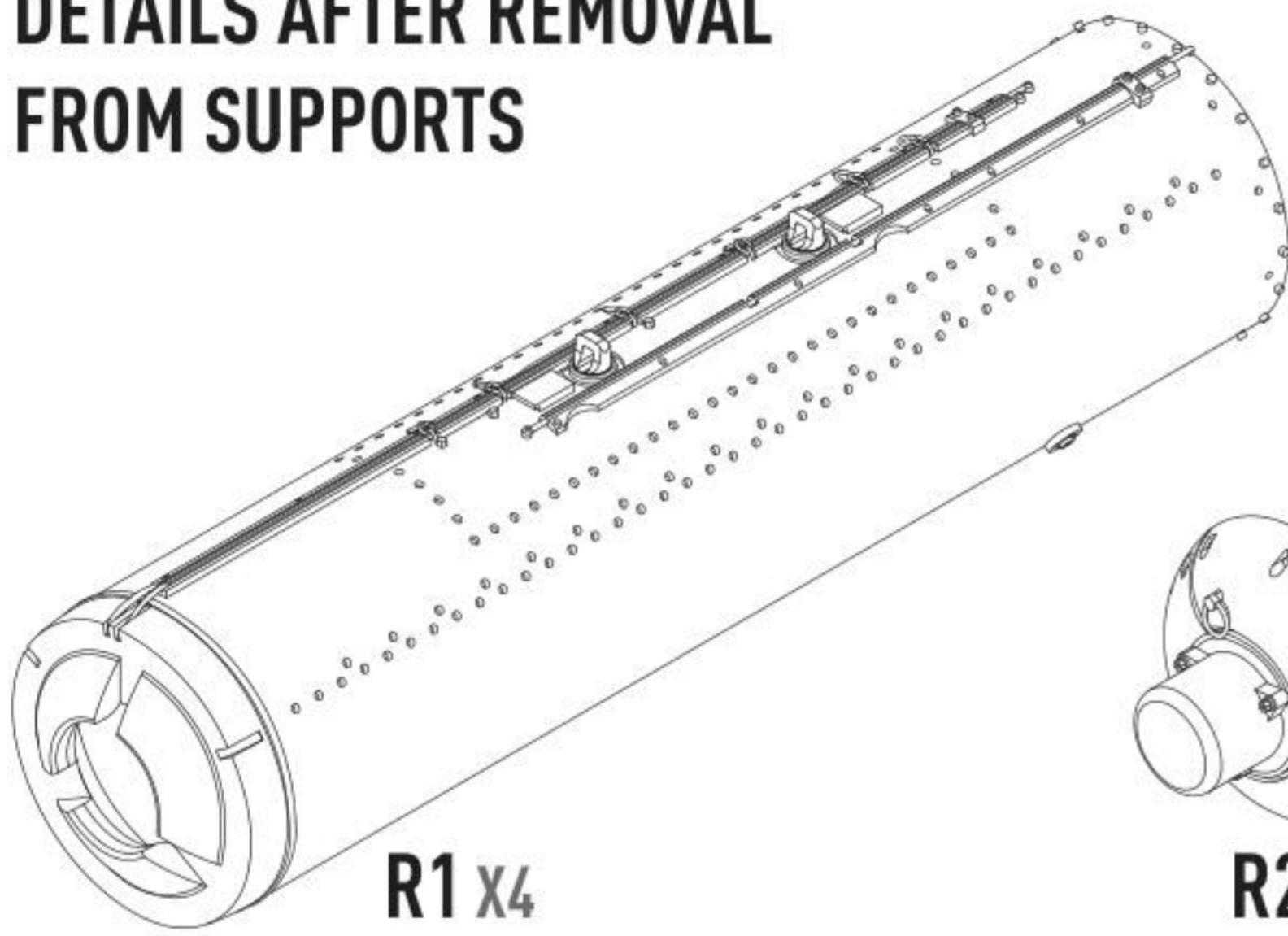


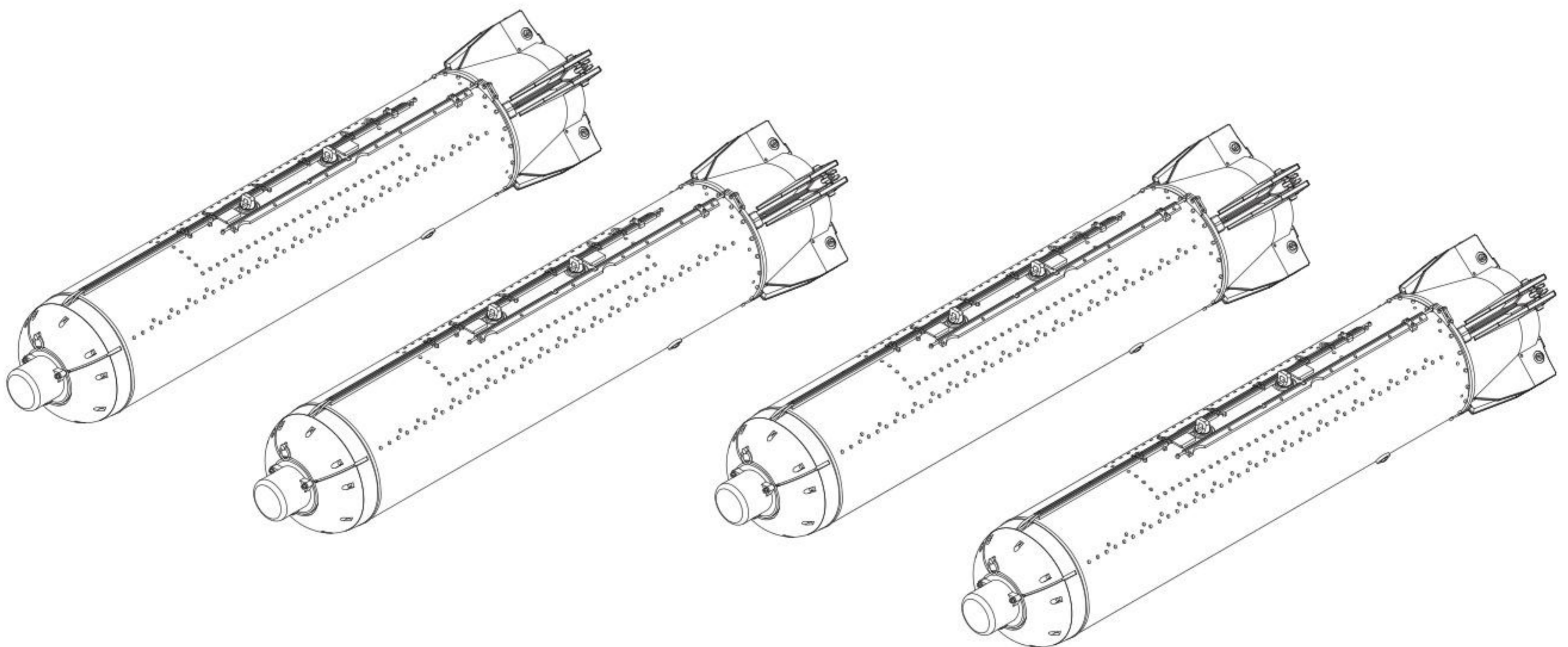
**DETAILS AFTER REMOVAL
FROM SUPPORTS**

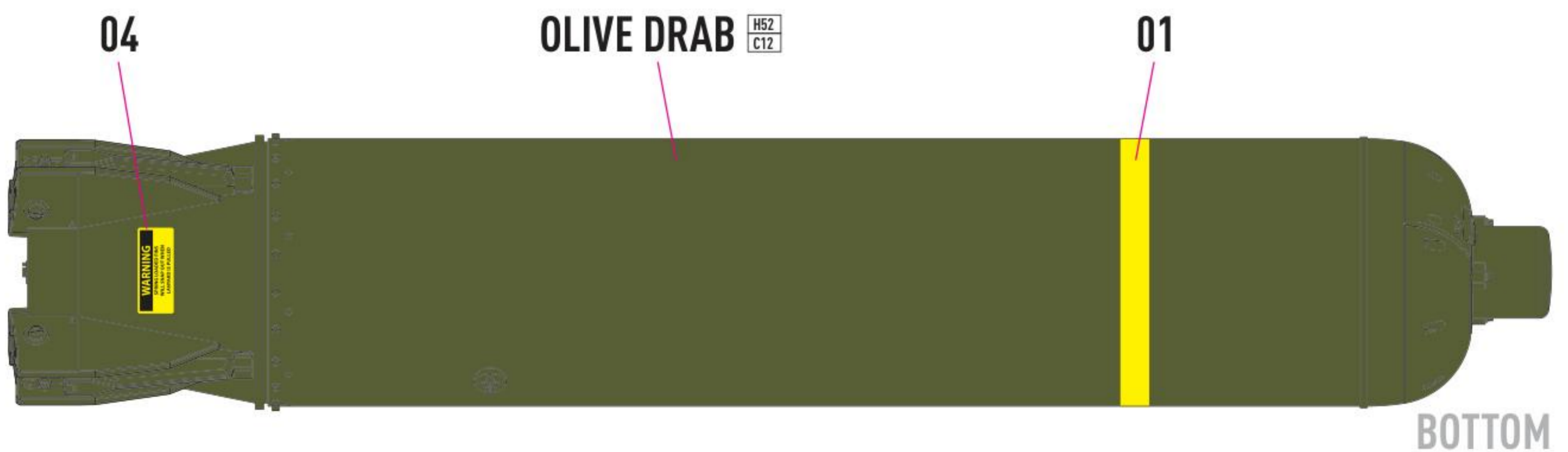
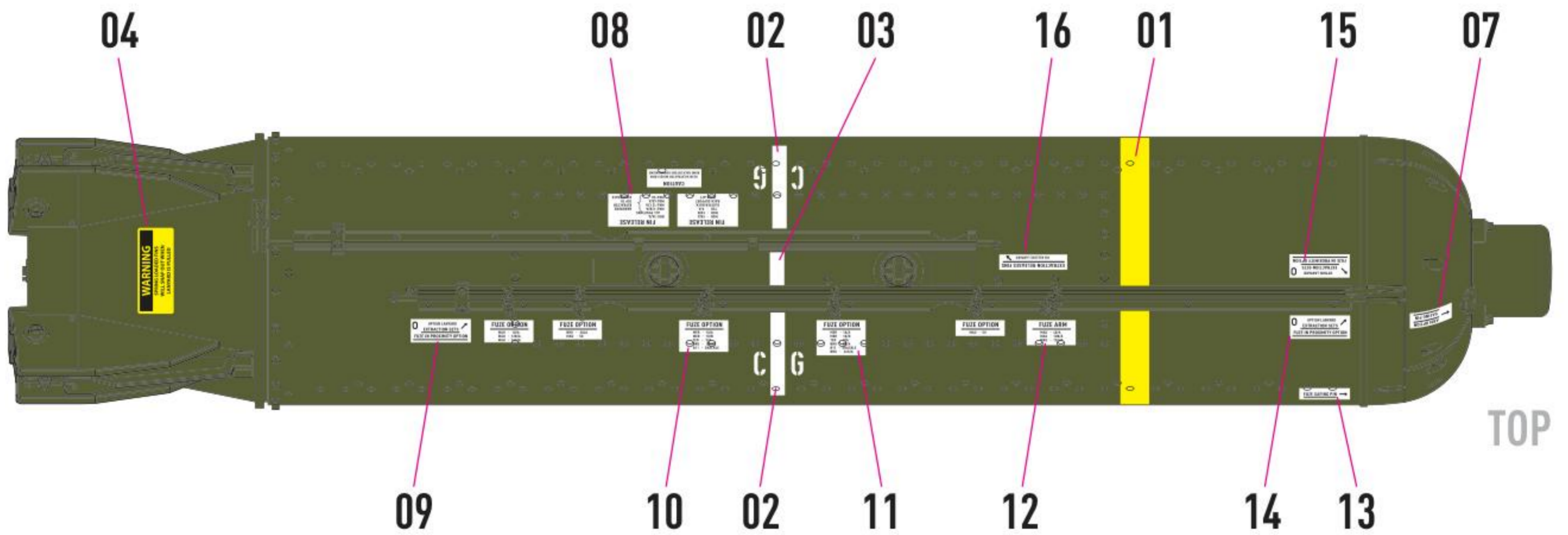
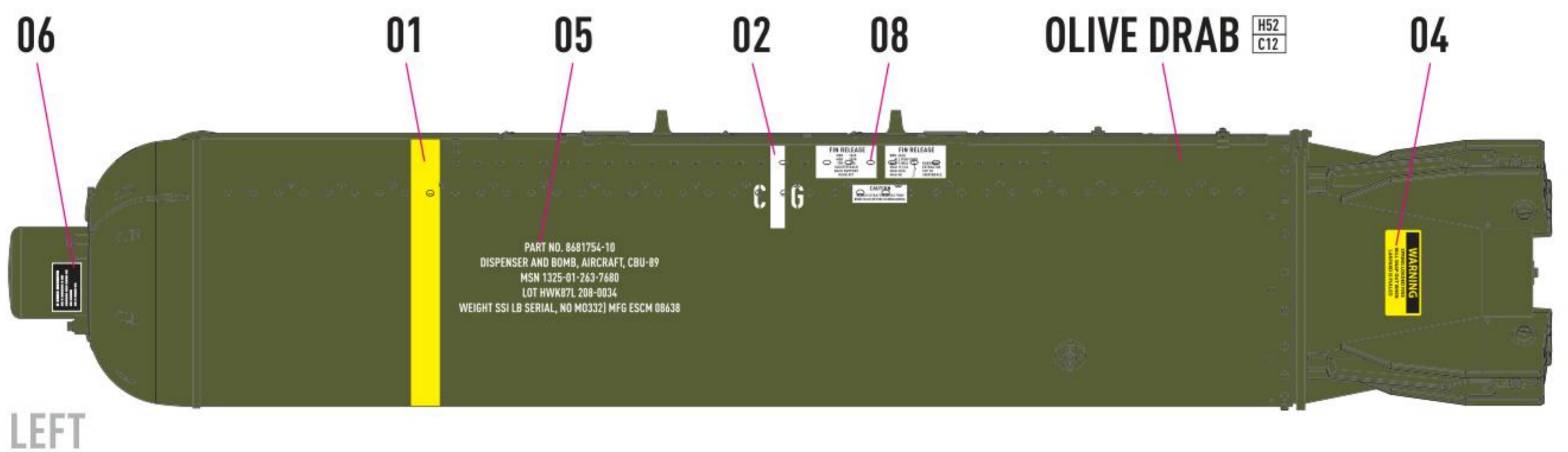
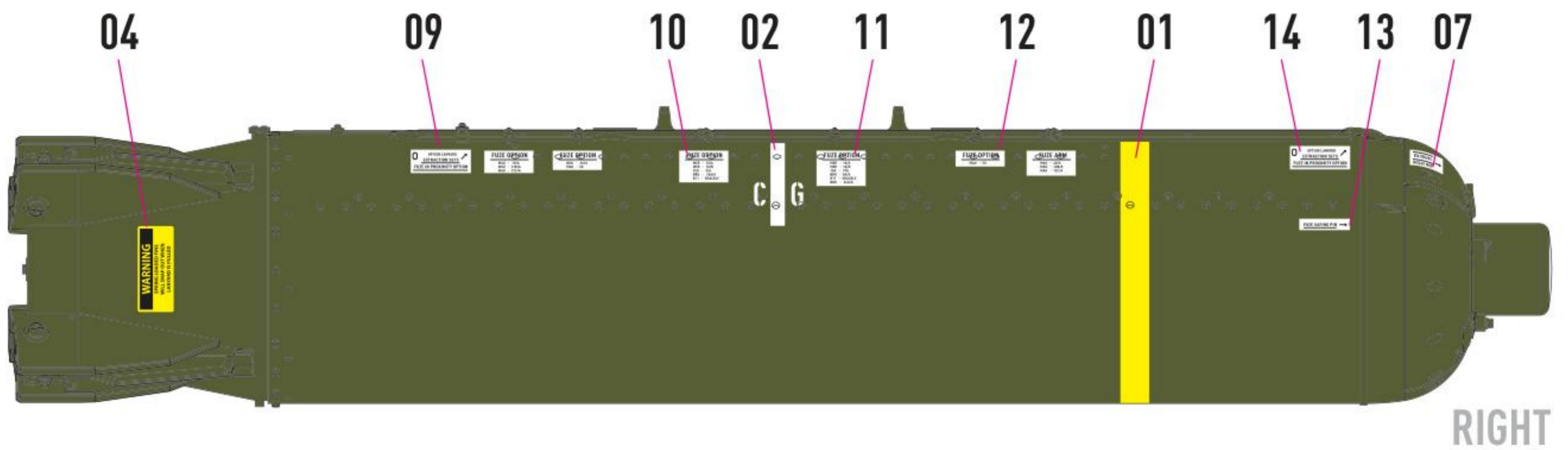


USE A SAW TO REMOVE SUPPORTS
FROM 3D PRINTED PARTS



X4 1





COLORS	GUNZE / AQUEOUS	GUNZE / MR.COLOR
OLIVE DRAB	H52	C12