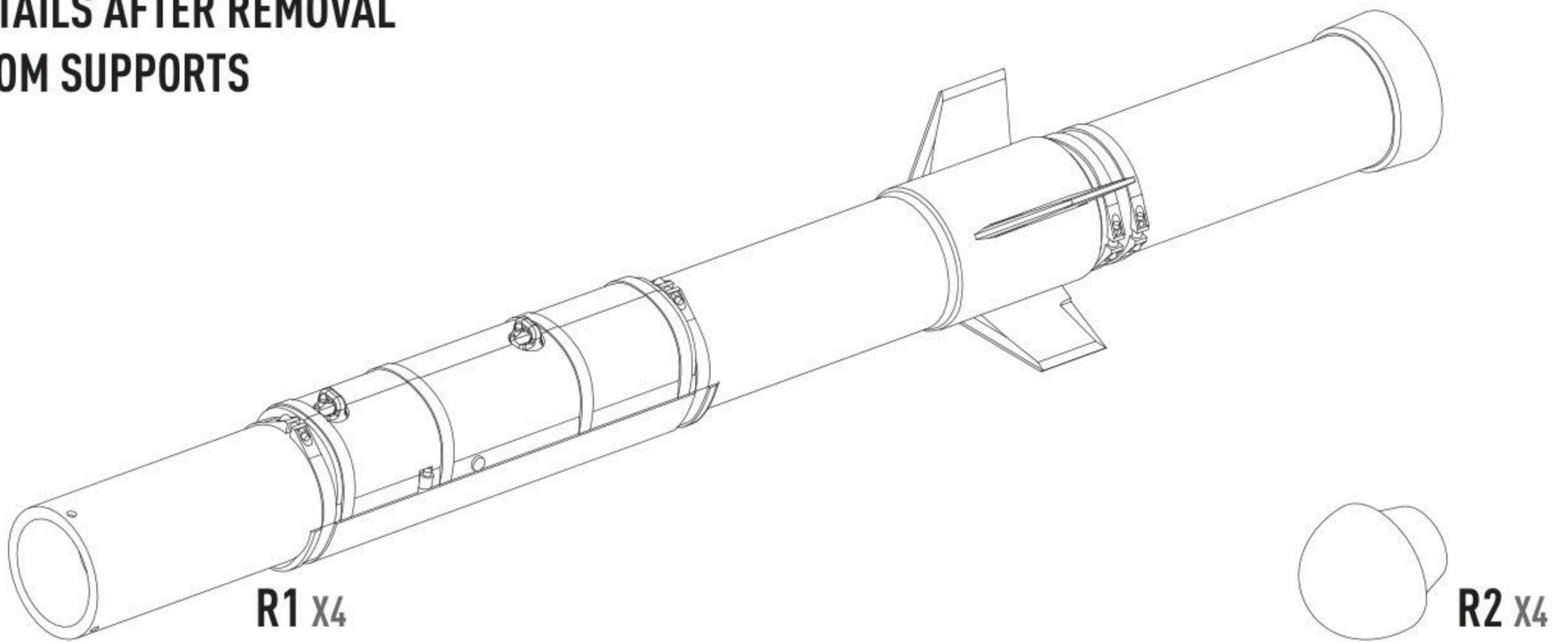
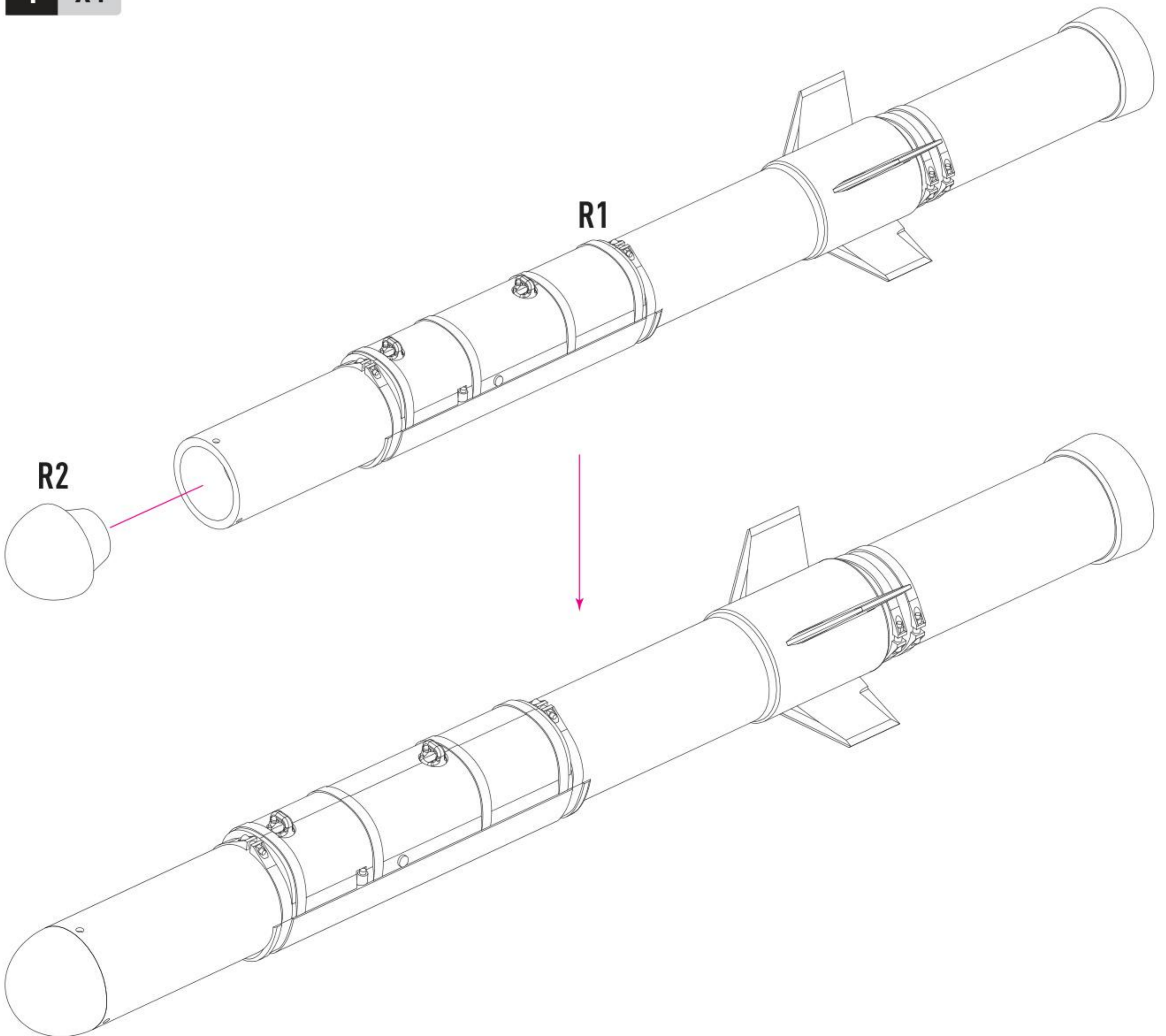
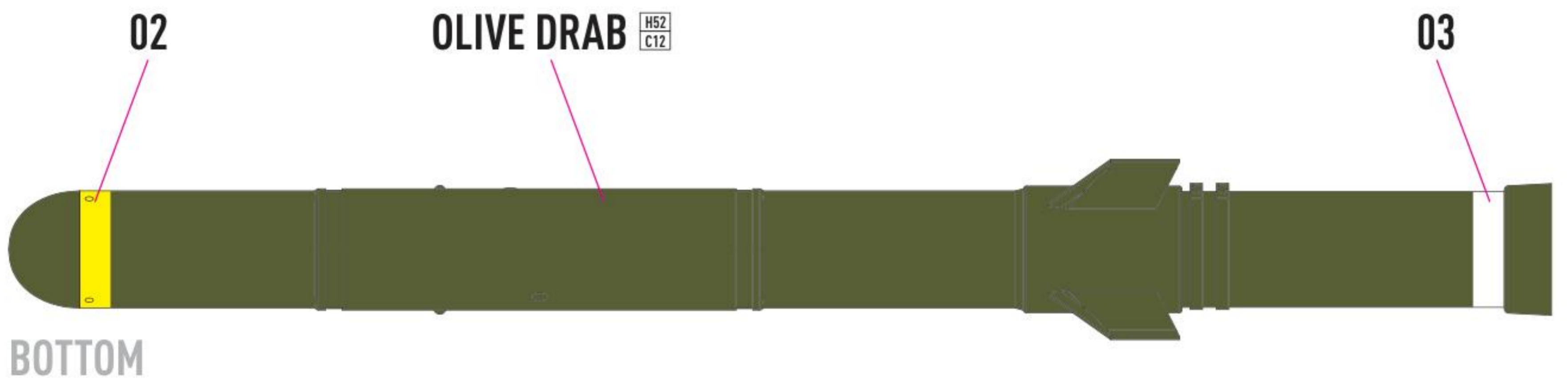
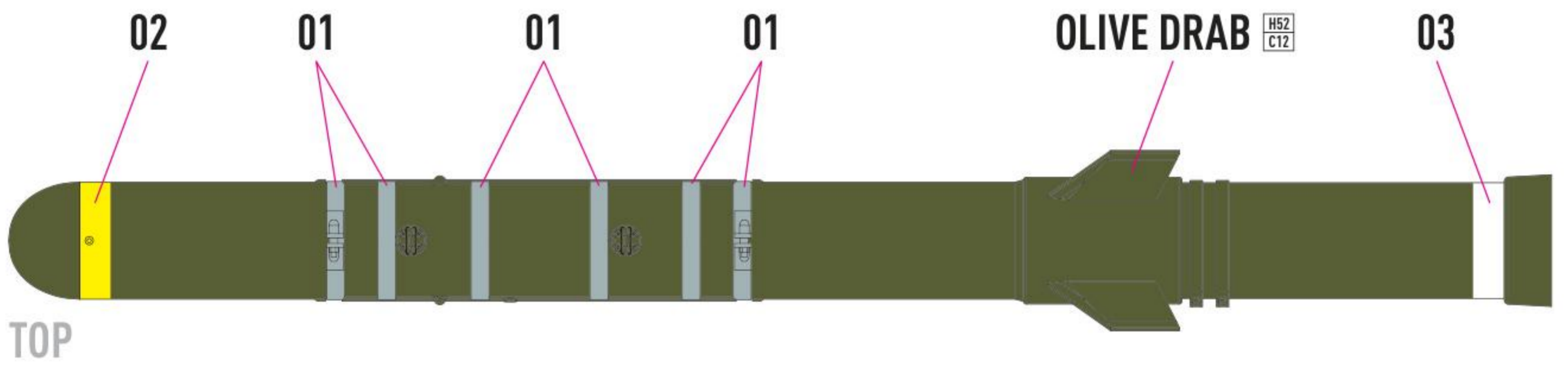
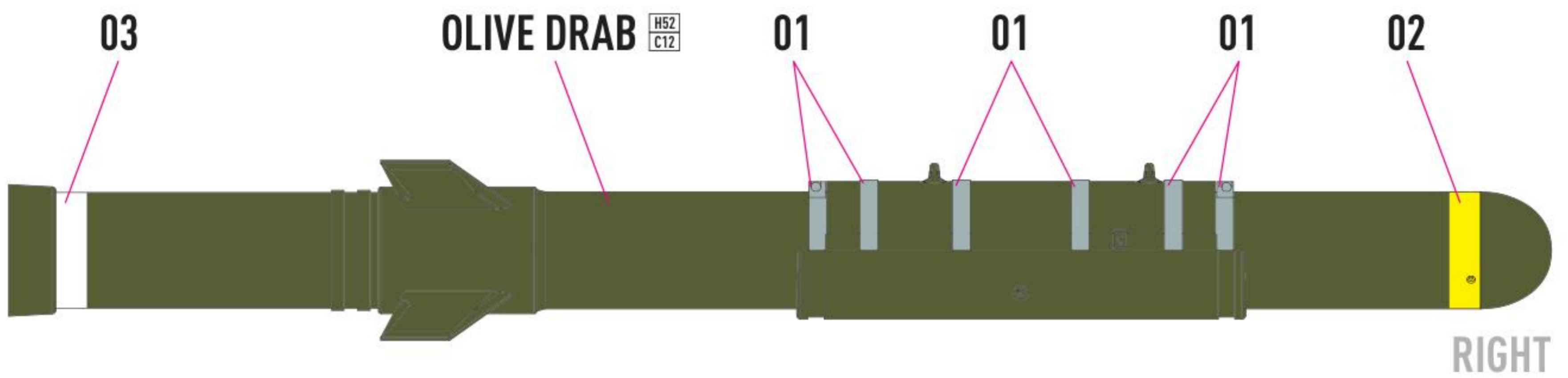
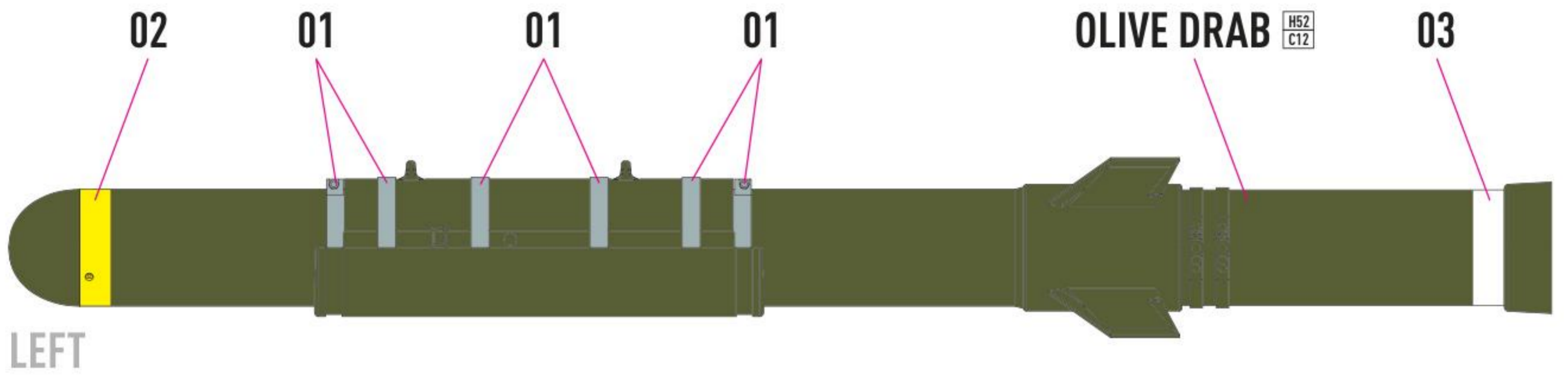


**DETAILS AFTER REMOVAL  
FROM SUPPORTS**



**1** X4





COLORS	GUNZE / AQUEOUS	GUNZE / MR.COLOR
OLIVE DRAB	H52	C12