

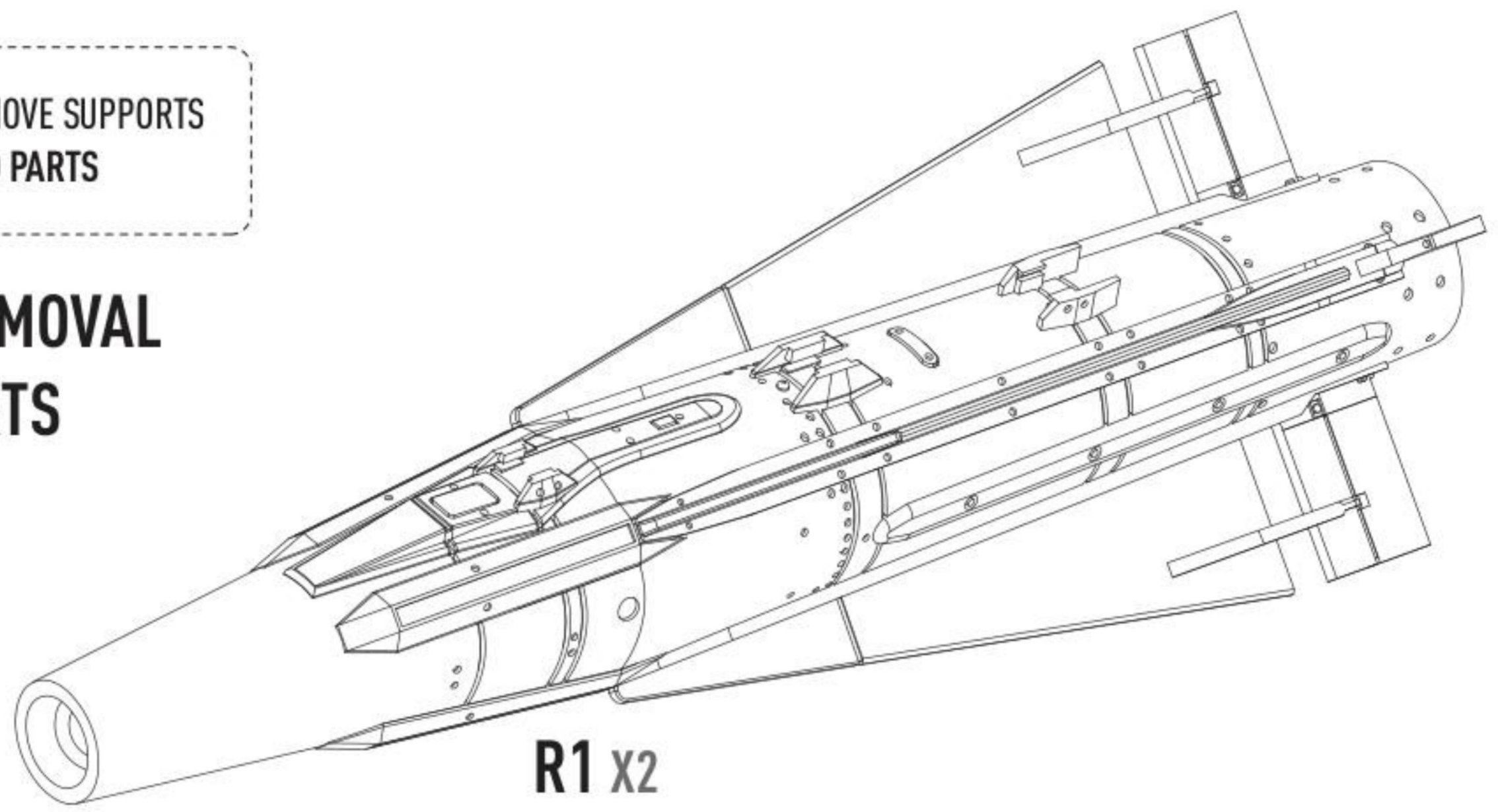


USE A SAW TO REMOVE SUPPORTS
FROM 3D PRINTED PARTS

**DETAILS AFTER REMOVAL
FROM SUPPORTS**

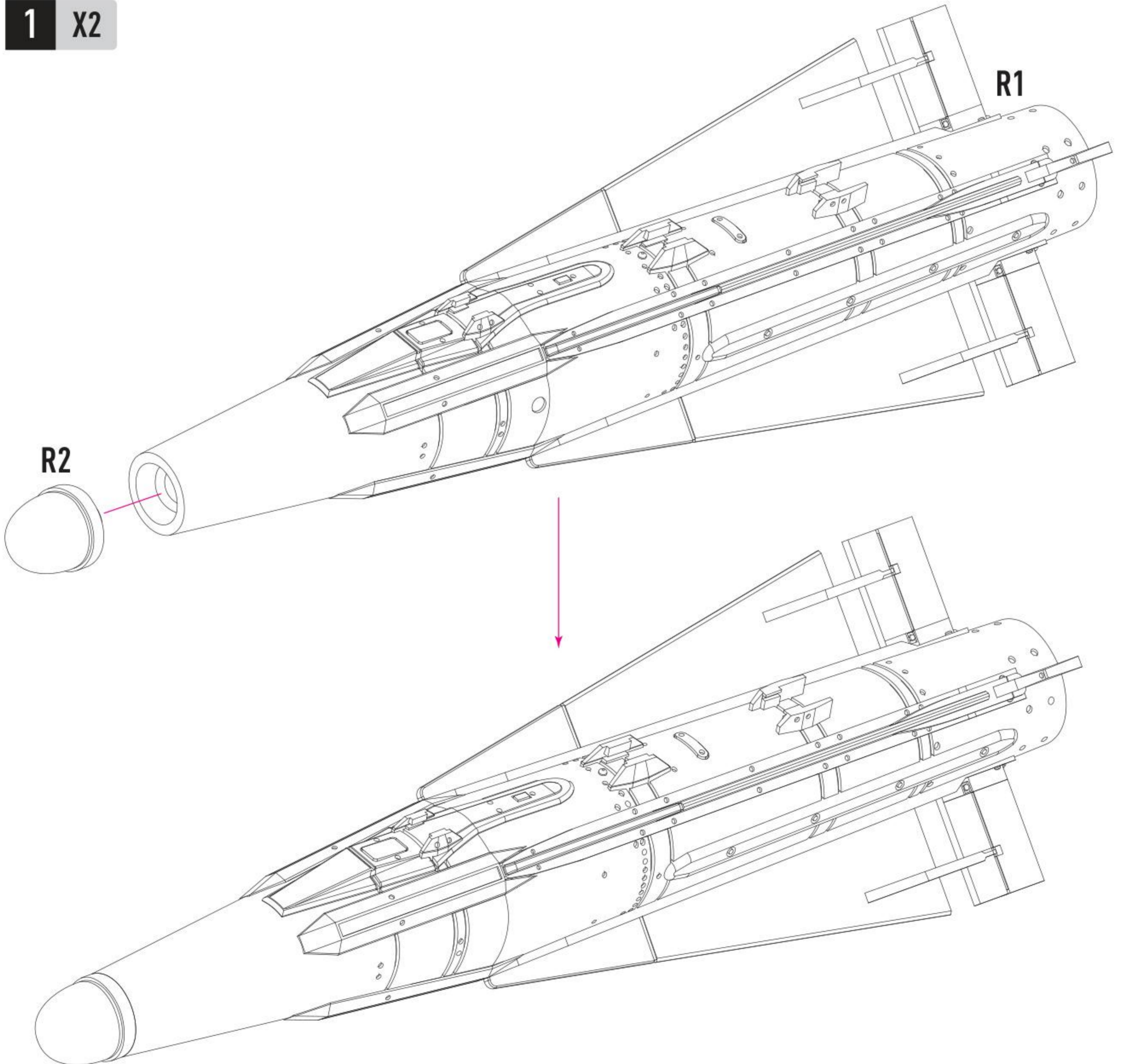


R2 x2



R1 x2

1 **x2**



LEFT

RIGHT

TOP

BOTTOM

COLORS

COLORS	GUNZE / AQUEOUS	GUNZE / MR.COLOR
WHITE	H1	C1
FLAT BLACK	H12	C33

COLORS

COLORS	GUNZE / AQUEOUS	GUNZE / MR.COLOR
FLAT BLACK	H12	C33
WHITE	H1	C1