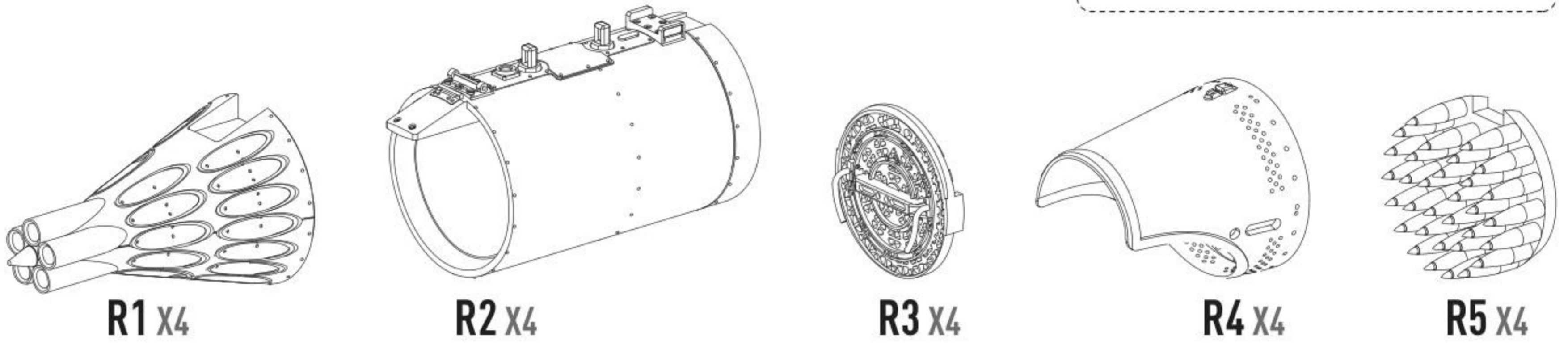
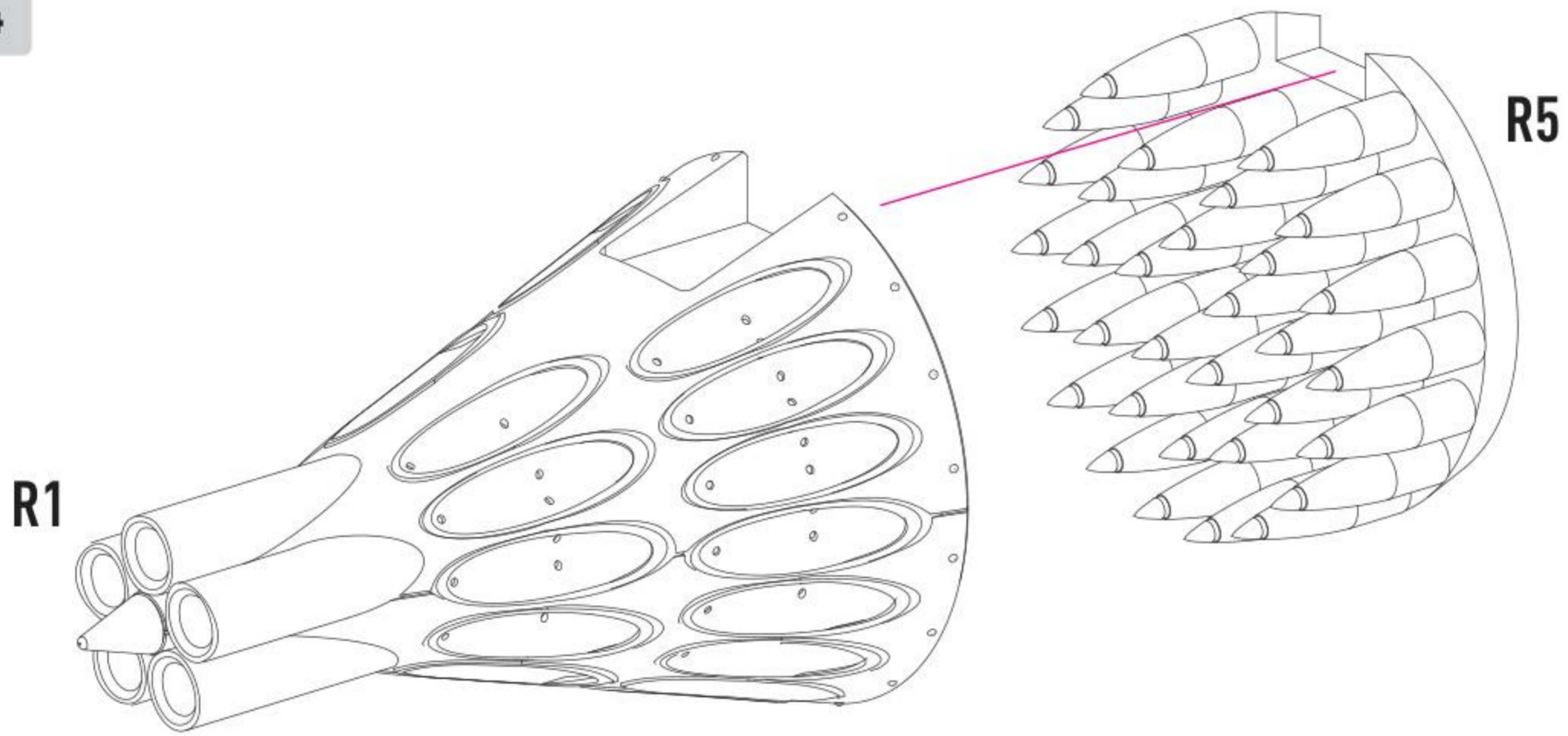


DETAILS AFTER REMOVAL FROM SUPPORTS

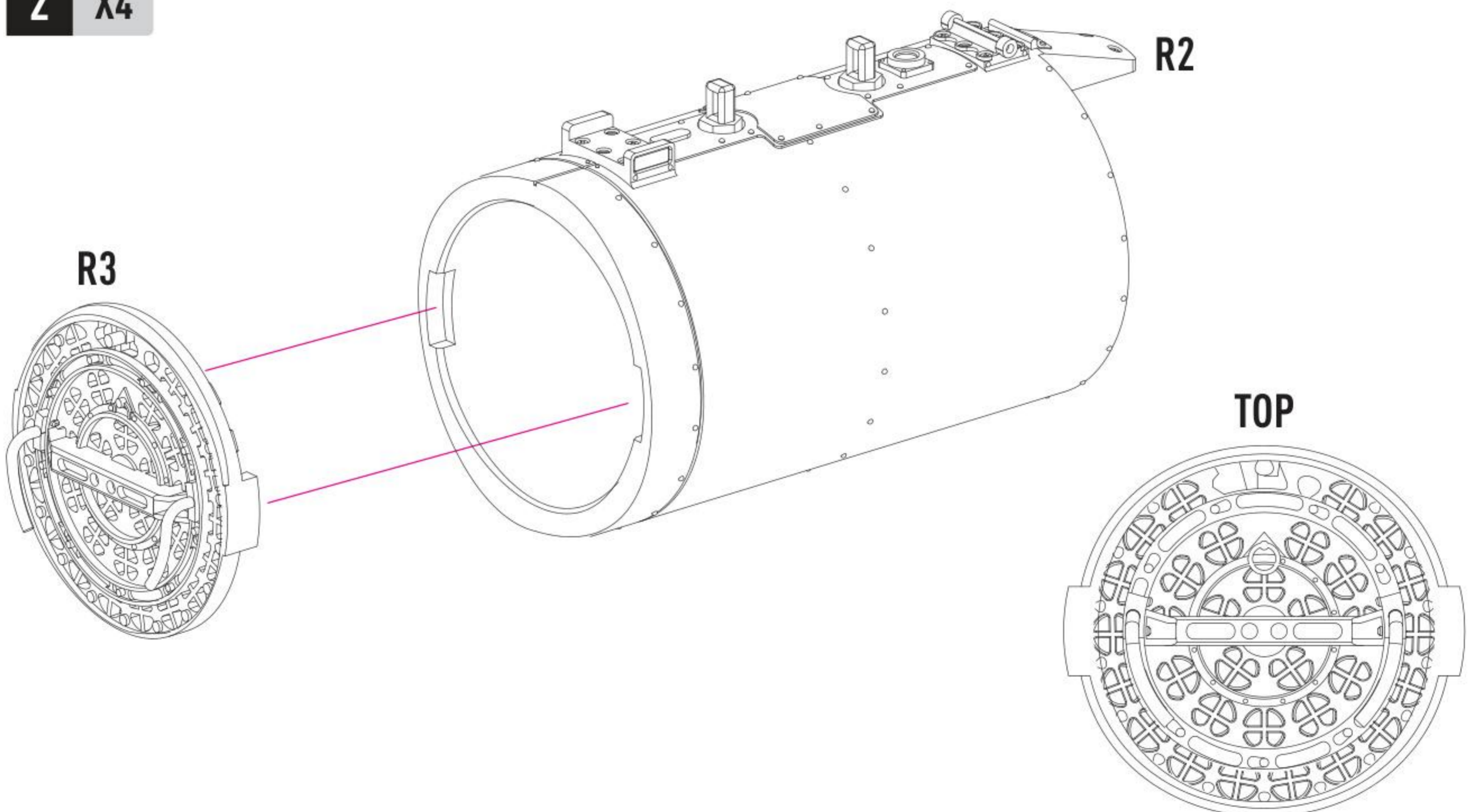
USE A SAW TO REMOVE SUPPORTS FROM 3D PRINTED PARTS



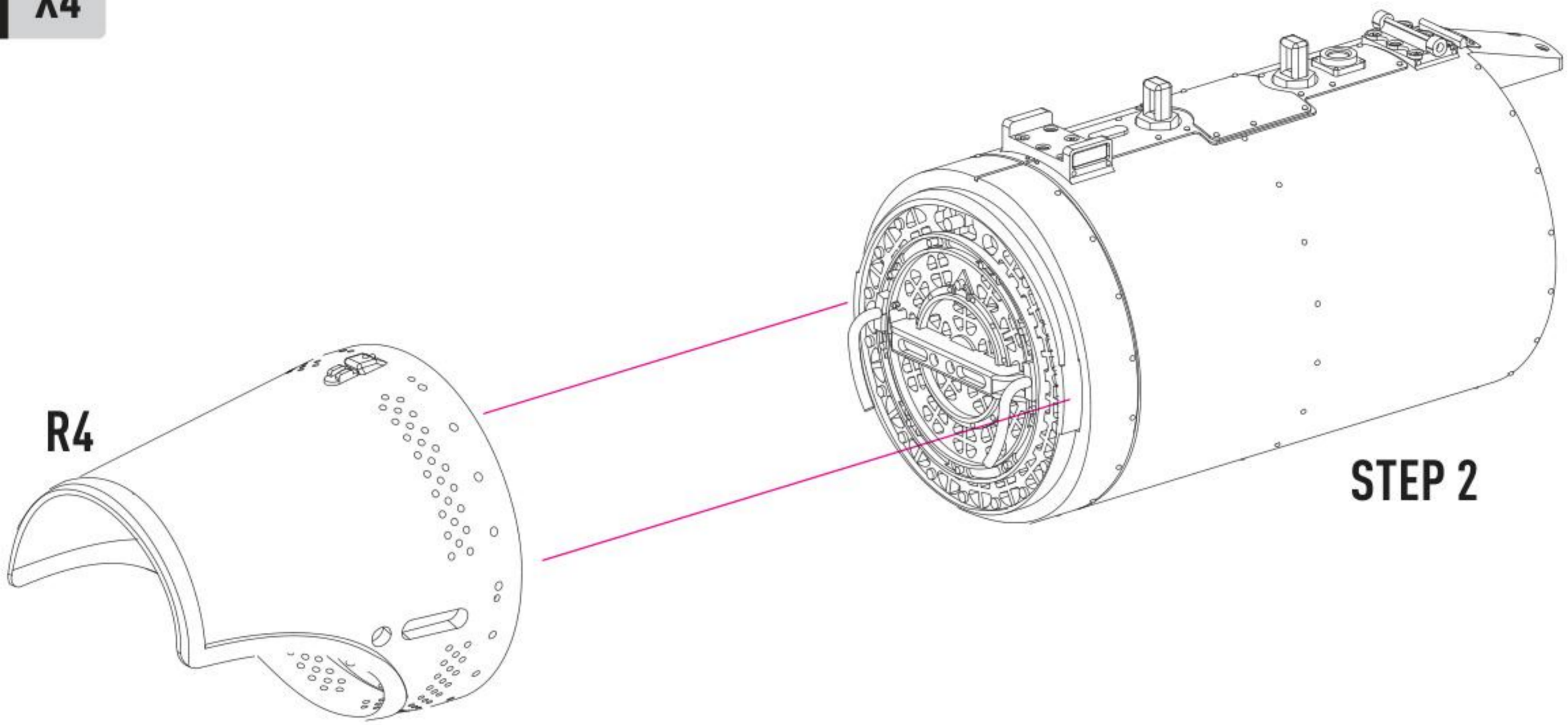
1 X4



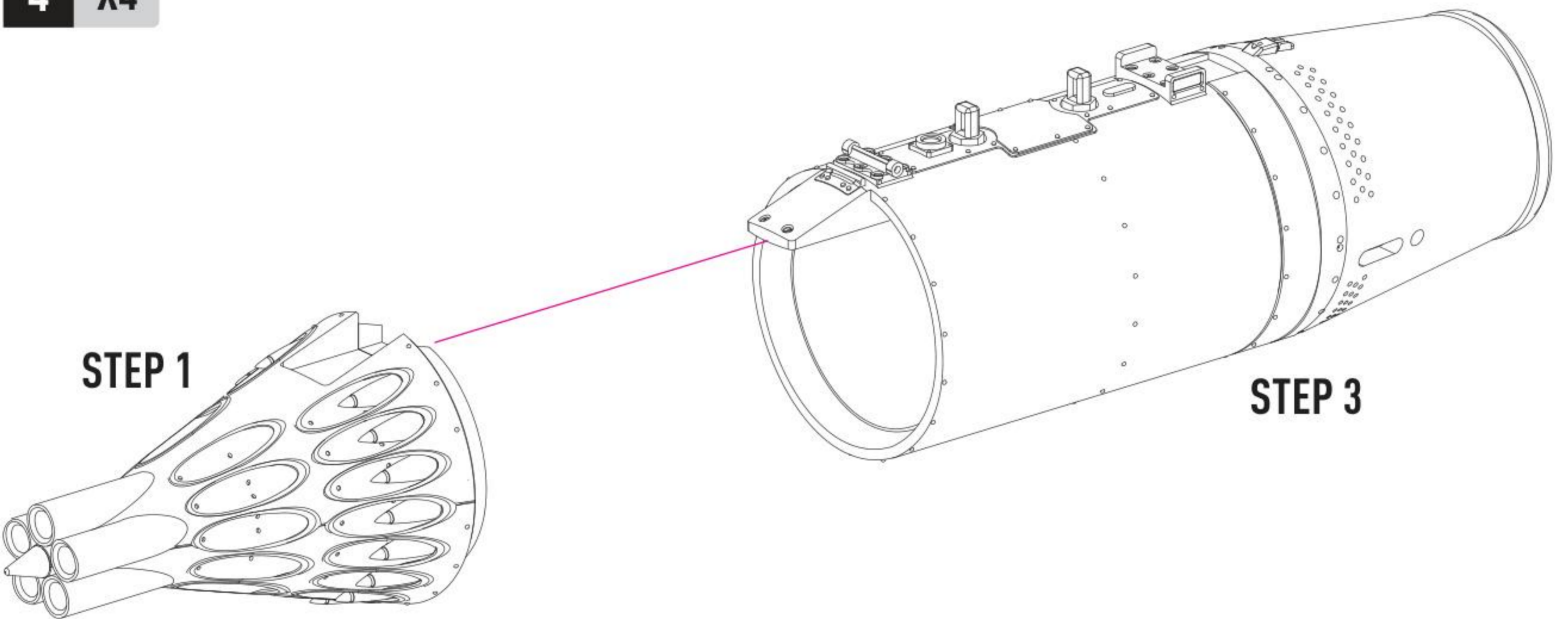
2 X4



3 X4



4 X4



DECAL INSTRUCTION

