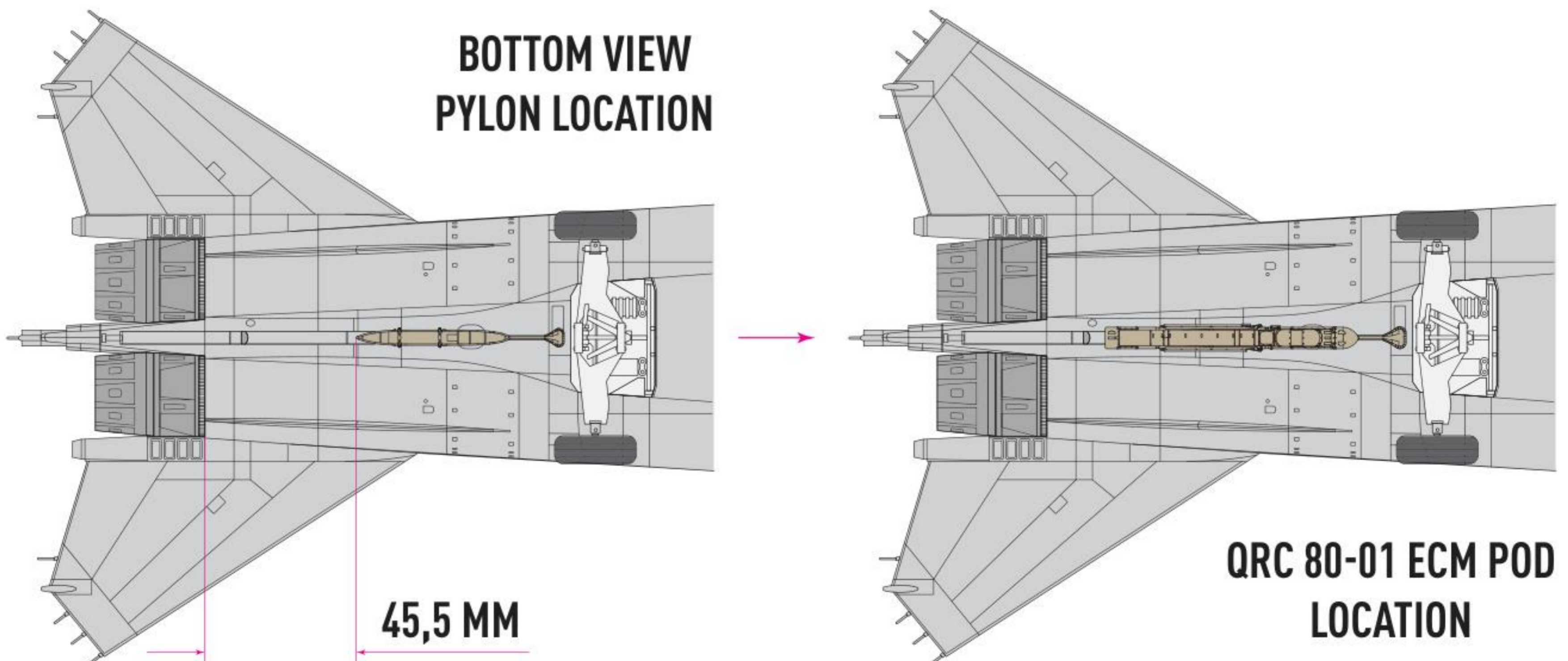
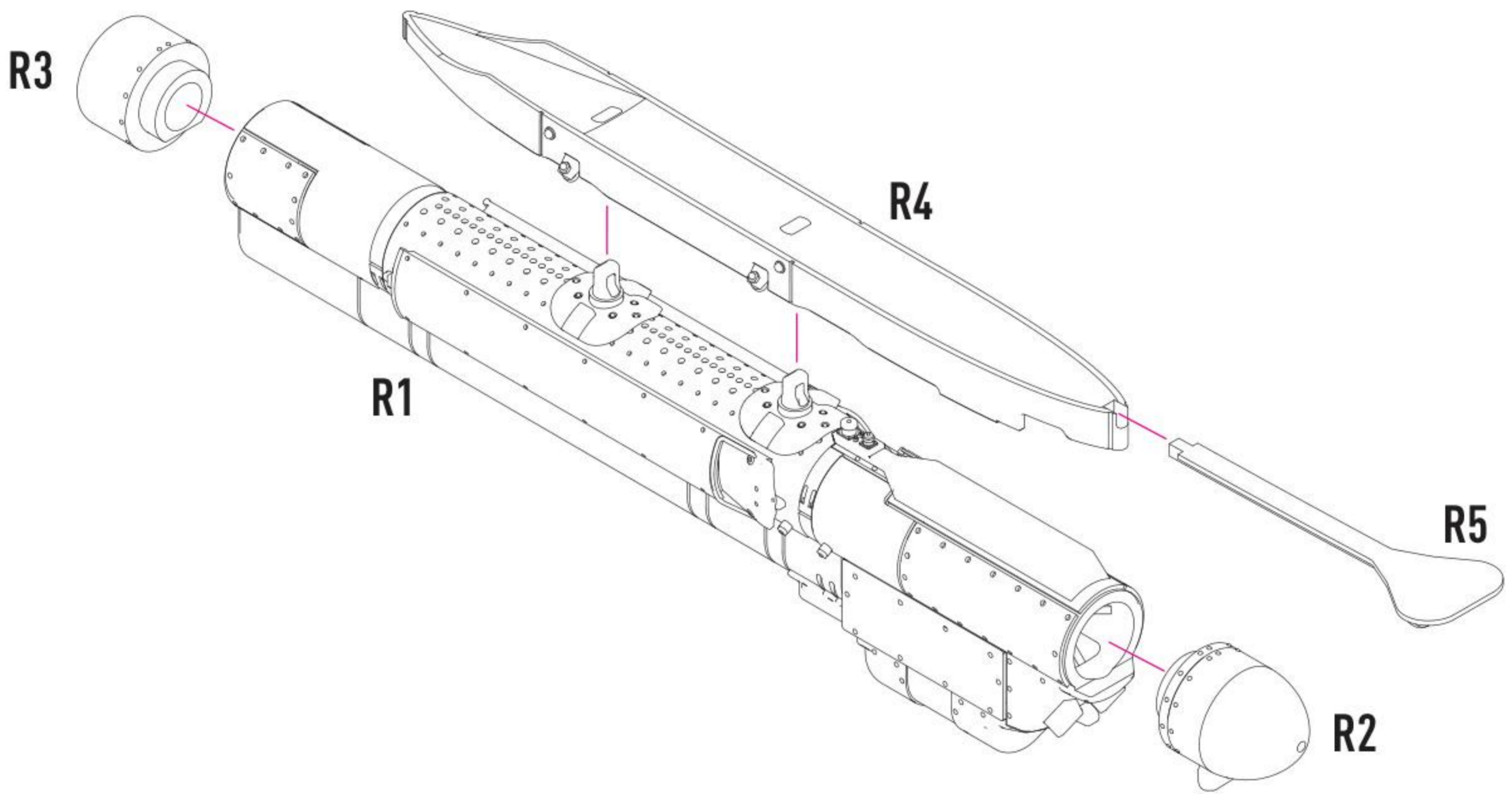
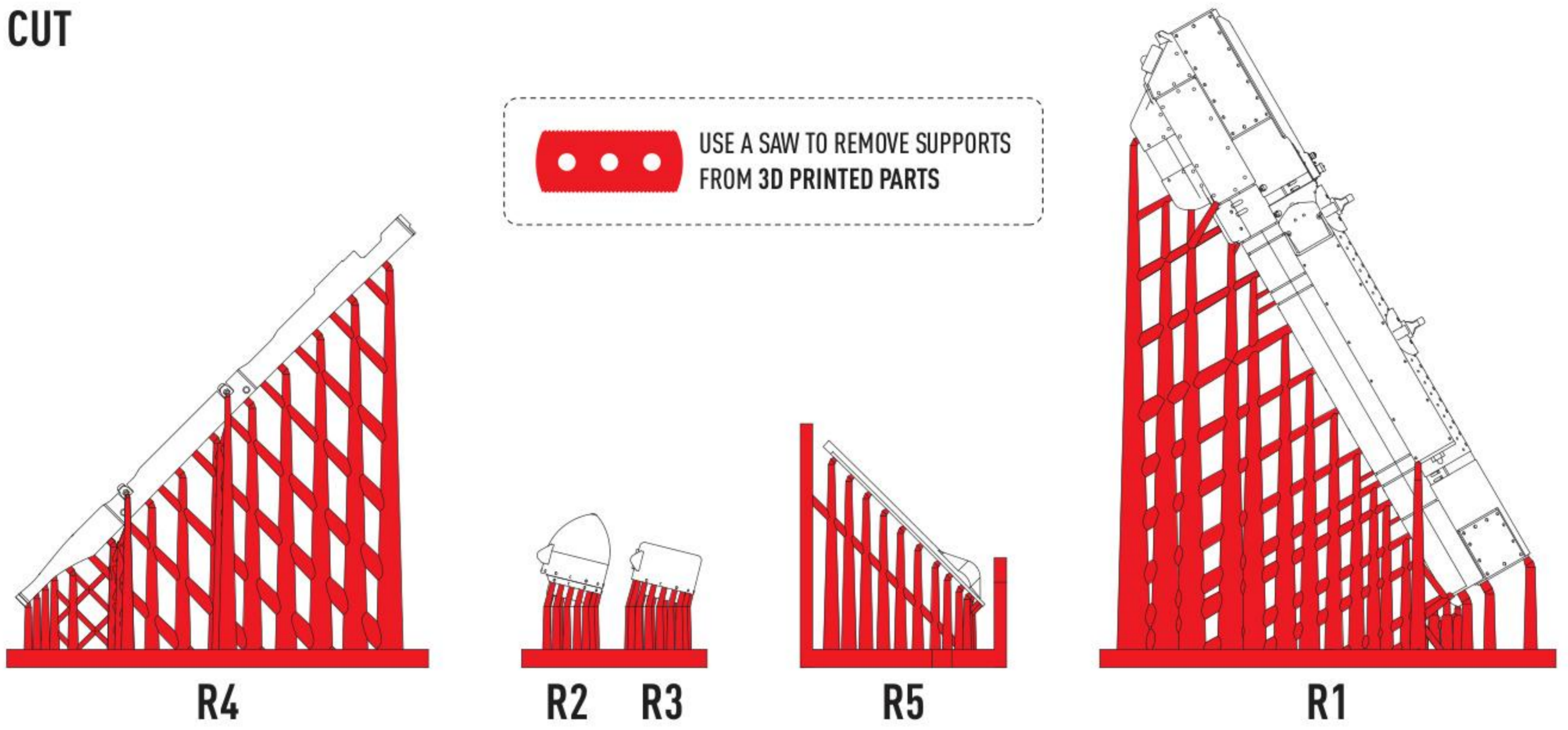


CUT

 USE A SAW TO REMOVE SUPPORTS FROM 3D PRINTED PARTS



COLORS	GUNZE / AQUEOUS	GUNZE / MR.COLOR	FEDERAL STANDARD
OLIVE DRAB	H304	C304	FS 34087
SILVER	H8	C8	
SEMIGLOSS BLACK		C92	

