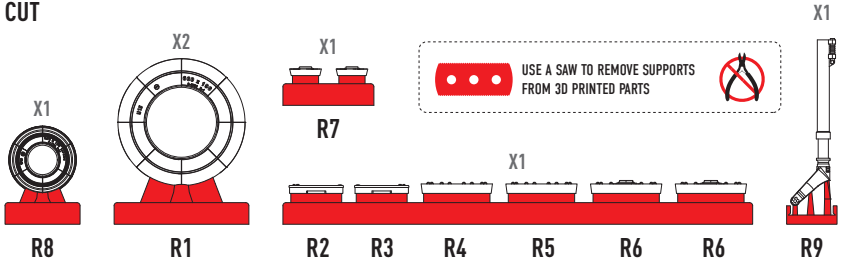
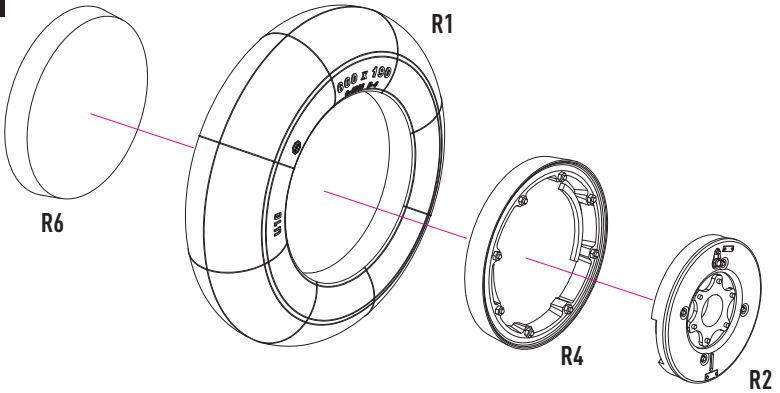


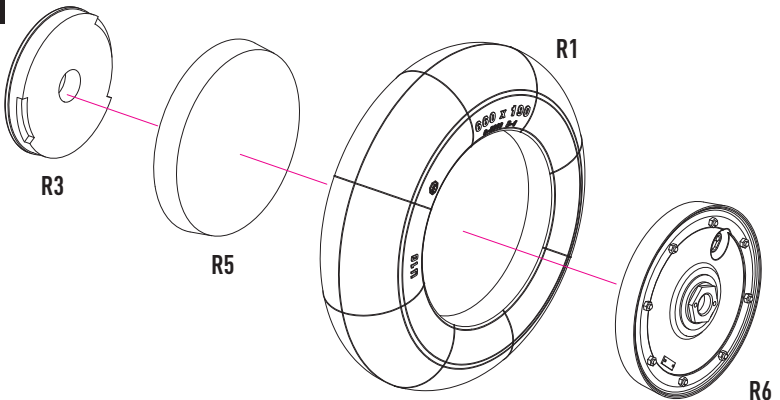
CUT

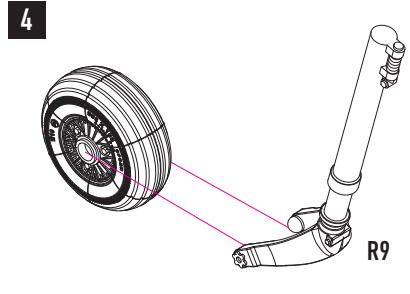
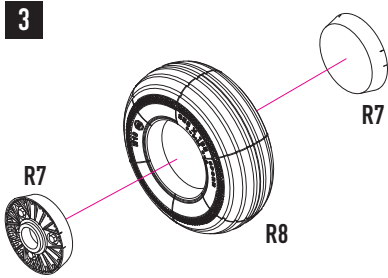


1



2





5 CORRECT WHEEL POSITION

