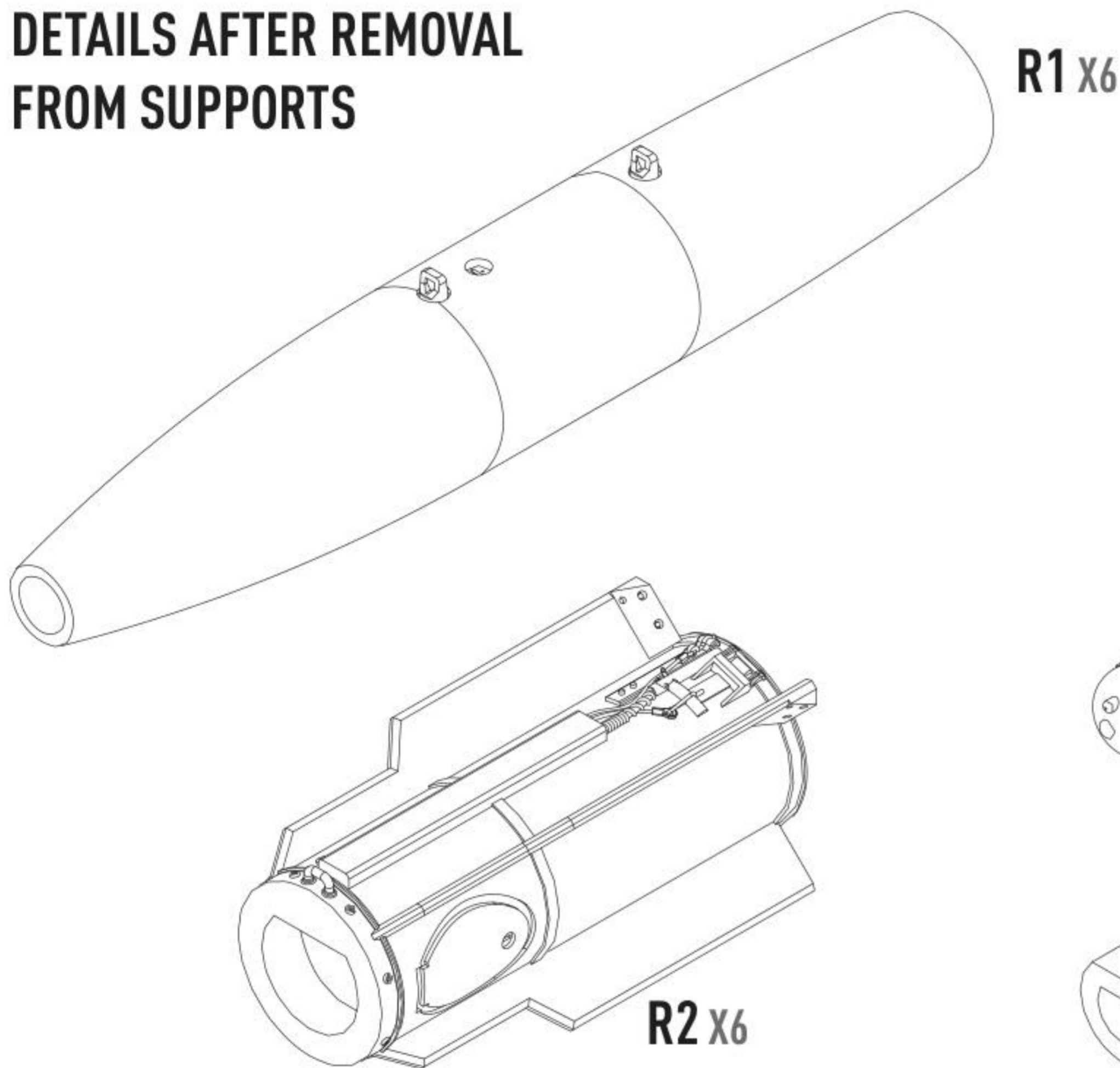


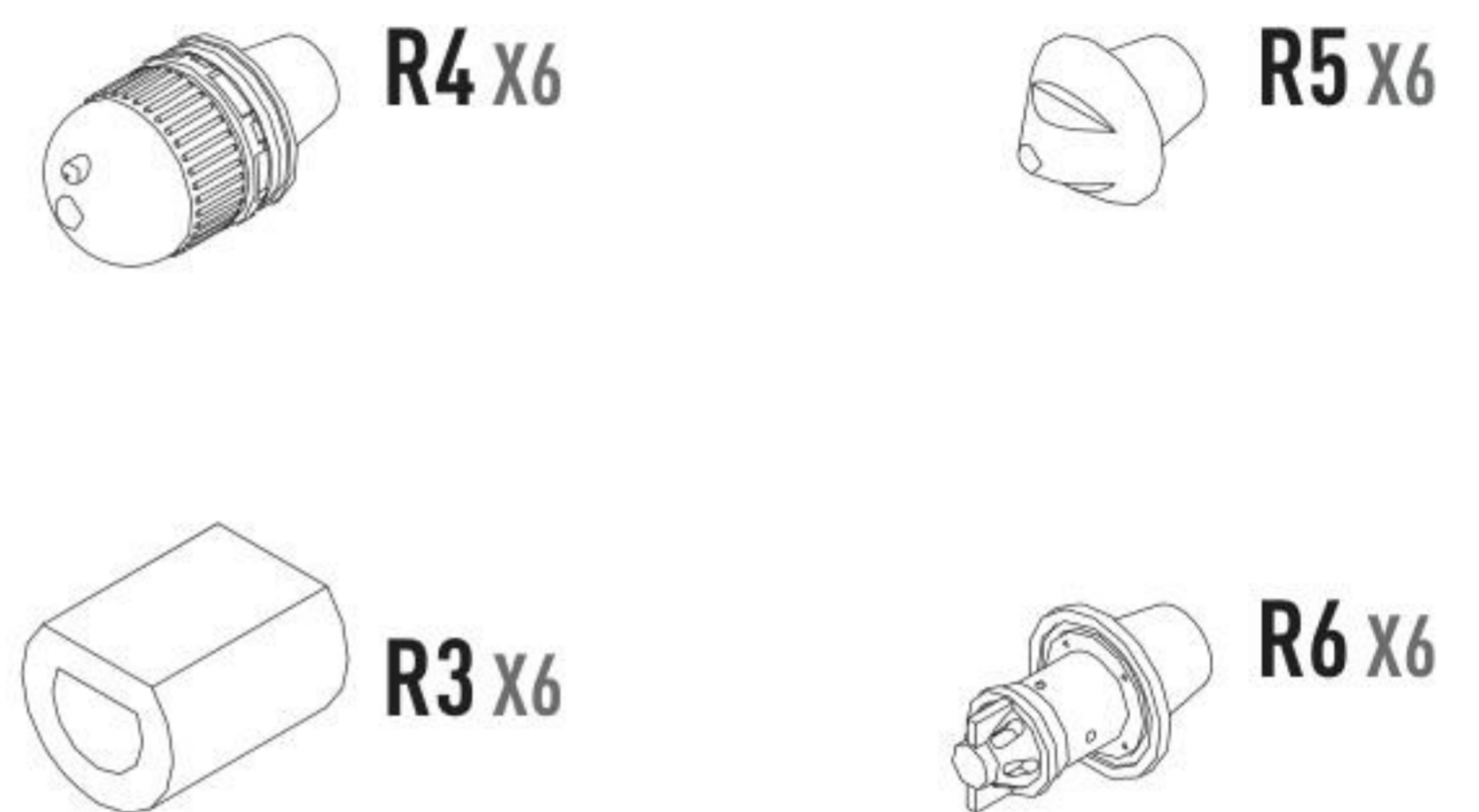
**DETAILS AFTER REMOVAL  
 FROM SUPPORTS**



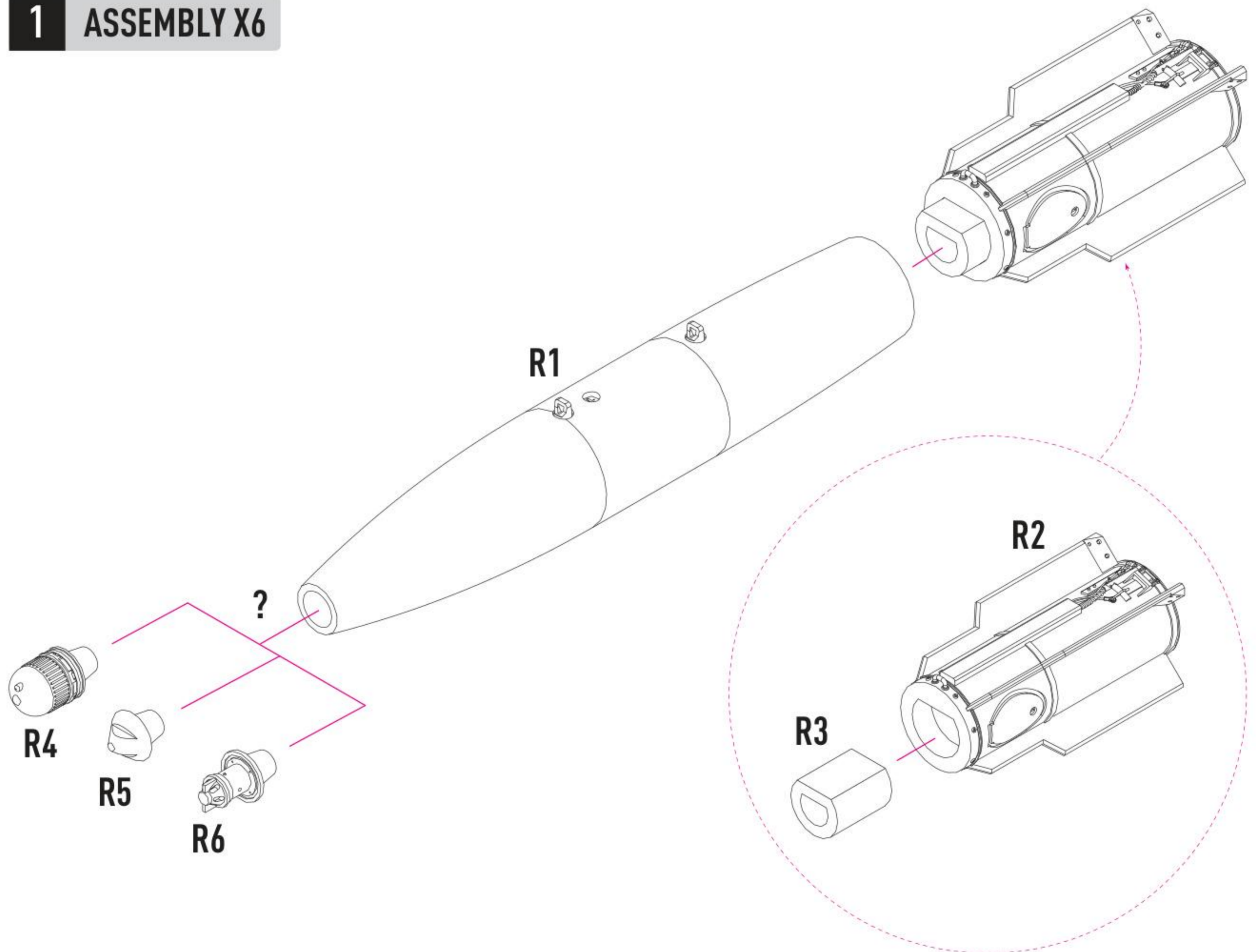
**REMOVE  
 PROTECTIVE COVER**







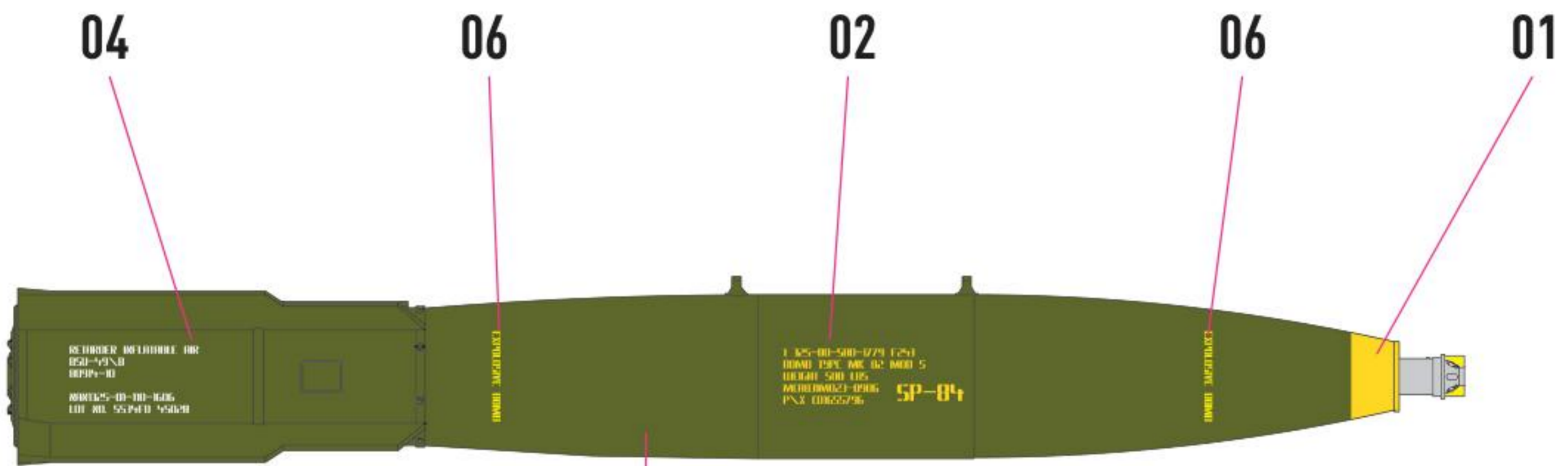
USE A SAW TO REMOVE SUPPORTS  
 FROM 3D PRINTED PARTS



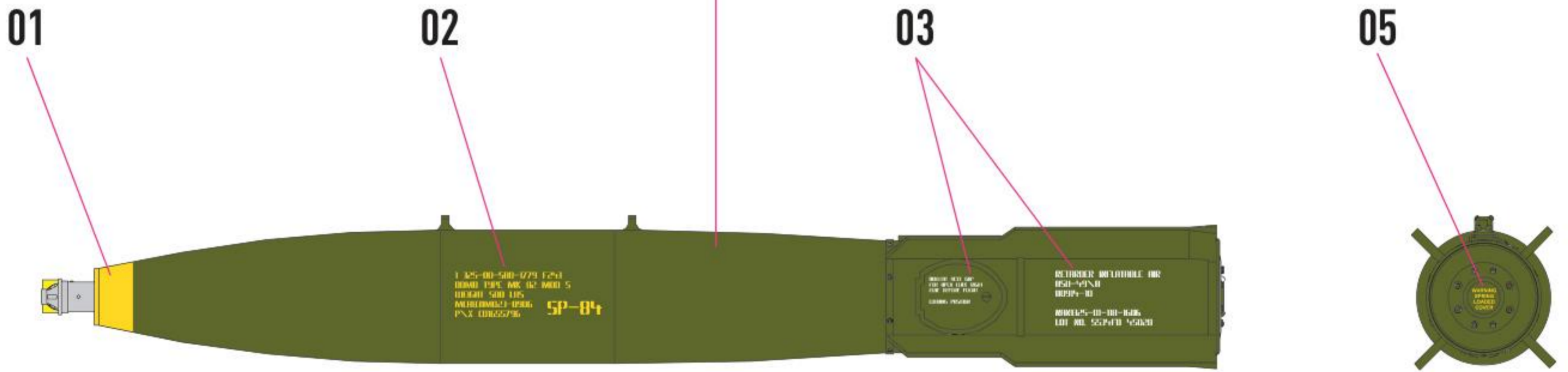
**1 ASSEMBLY X6**



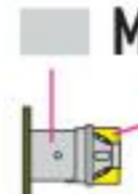

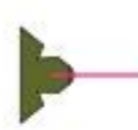
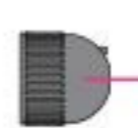
COLORS	GUNZE / AQUEOUS	GUNZE / MR.COLOR	GUNZE / MR.METAL COLOR	FEDERAL STANDARD
	<b>OLIVE DRAB</b>	<b>H304</b>	<b>C304</b>	<b>FS34087</b>
	<b>YELLOW</b>	<b>H4</b>	<b>C4</b>	<b>FS33538</b>
	<b>STAINLESS</b>		<b>MC213</b>	
	<b>FLAT BLACK</b>	<b>H12</b>	<b>C33</b>	



**OLIVE DRAB**  
H304/C304



### MK 82 FUZING OPTIONS

<b>M904</b>	 	<b>R6</b>
<b>USAF NOSE PLUG</b>		<b>R5</b>
<b>FMU-113</b>		<b>R4</b>