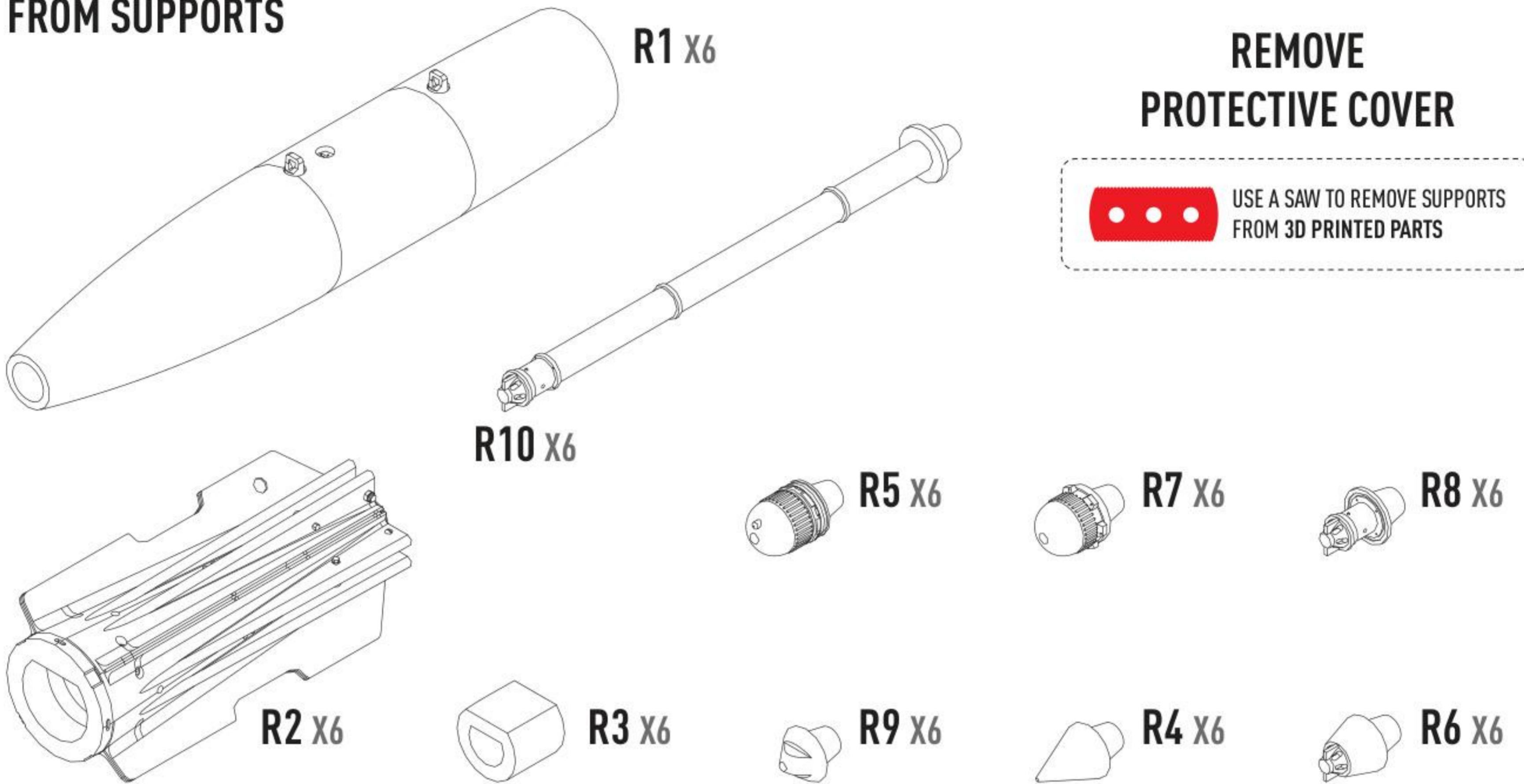


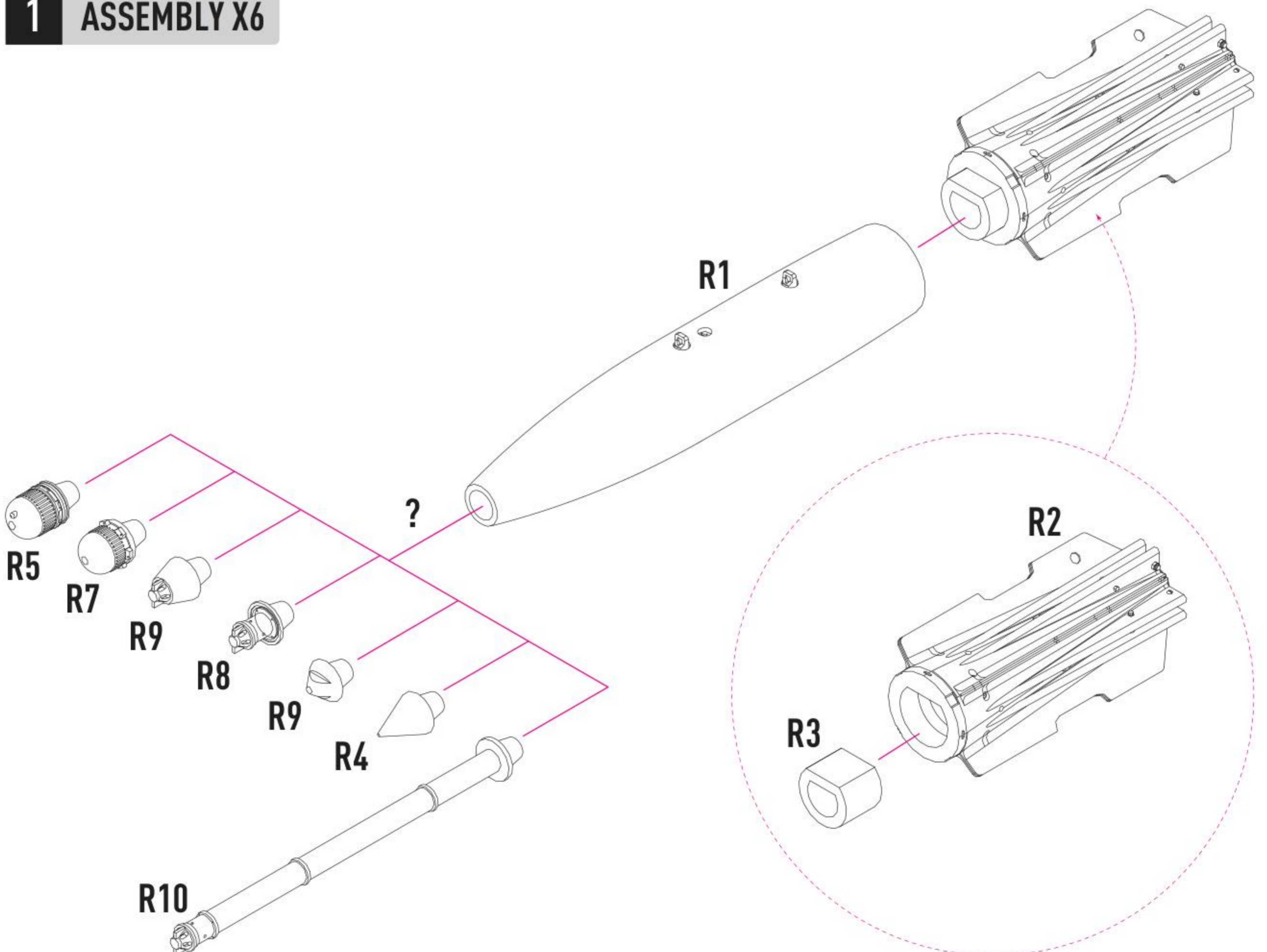
**DETAILS AFTER REMOVAL
FROM SUPPORTS**



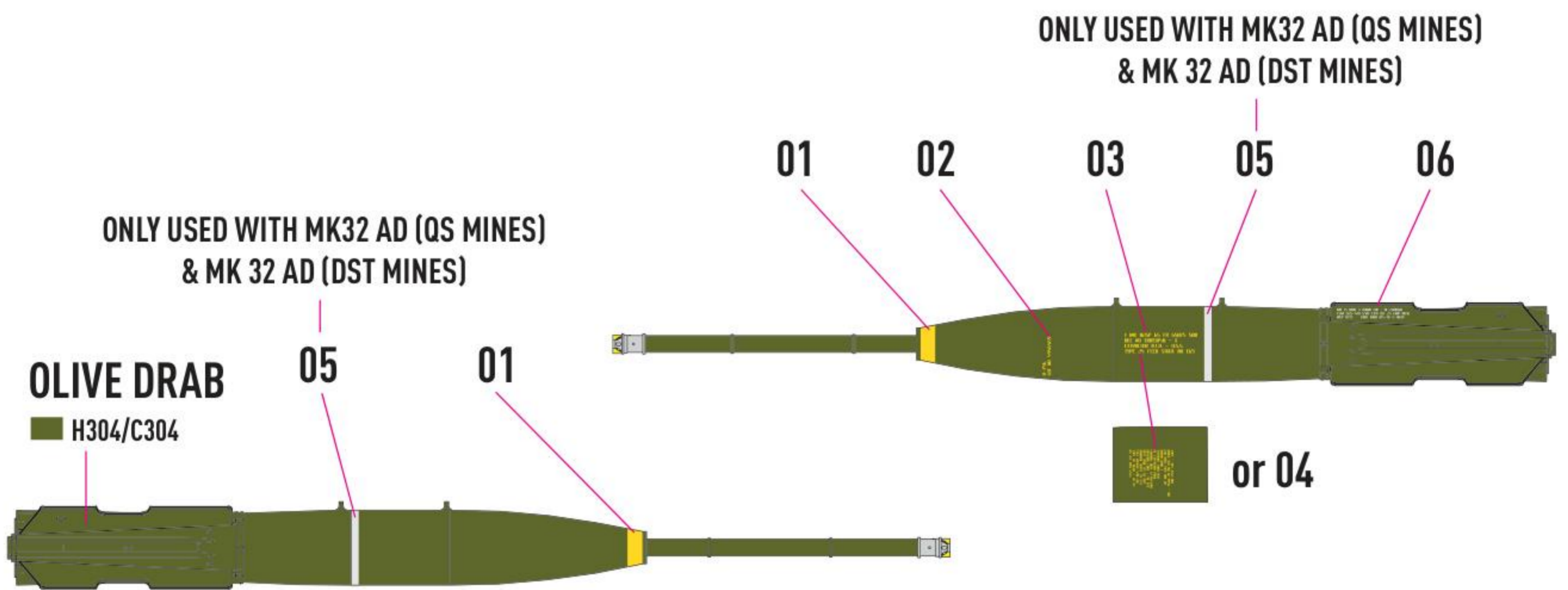
**REMOVE
PROTECTIVE COVER**

 USE A SAW TO REMOVE SUPPORTS FROM 3D PRINTED PARTS

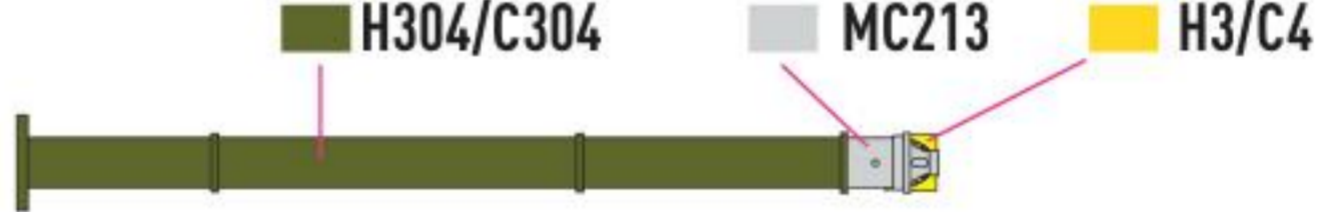






1 ASSEMBLY X6



COLORS	GUNZE / AQUEOUS	GUNZE / MR.COLOR	GUNZE / MR.METAL COLOR	FEDERAL STANDARD
 OLIVE DRAB	H304	C304		FS34087
 YELLOW	H4	C4		FS33538
 STAINLESS			MC213	
 FLAT BLACK	H12	C33		
 GREEN	H6	C6		
 RUSSET	H33	C81		
 GOLD			MC217	



MK 82 FUZING OPTIONS

M1A1		R10
M904		R8
USAF NOSE PLUG		R9
DSU-33		R5
OGIVE NOSE PLUG		R4
MK 32 AD (QS MINES) & MK 32 AD (DST MINES)		R6
FMU-113		R7