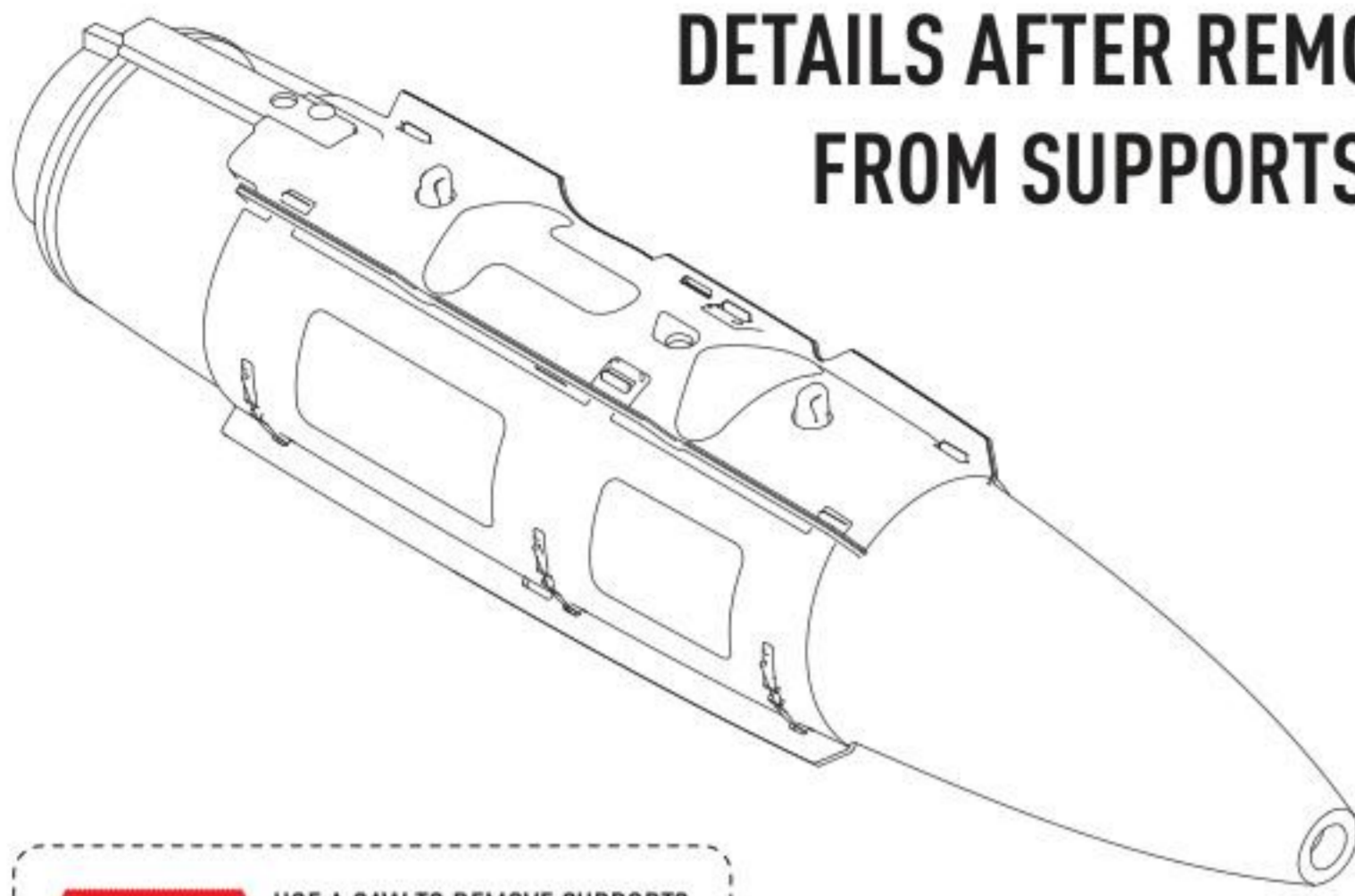
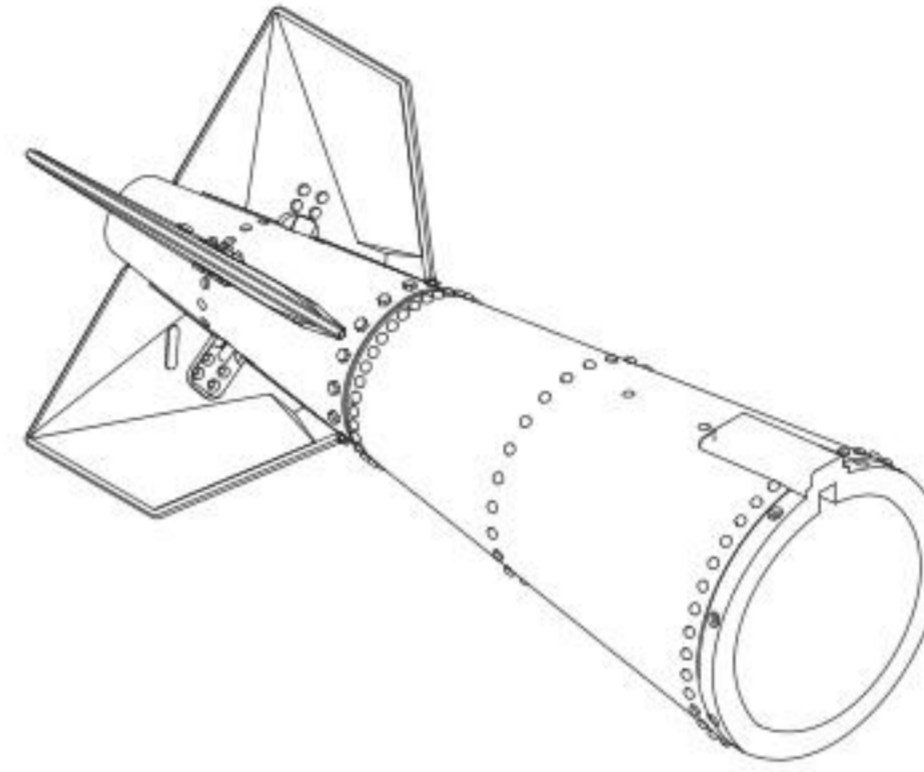


**DETAILS AFTER REMOVAL
 FROM SUPPORTS**



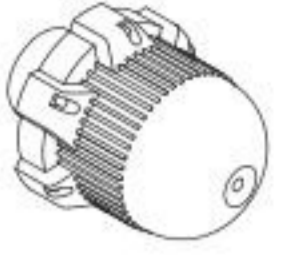
R1 X2



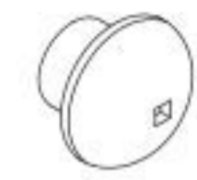
R2 X2



R3 X2



R4 X2

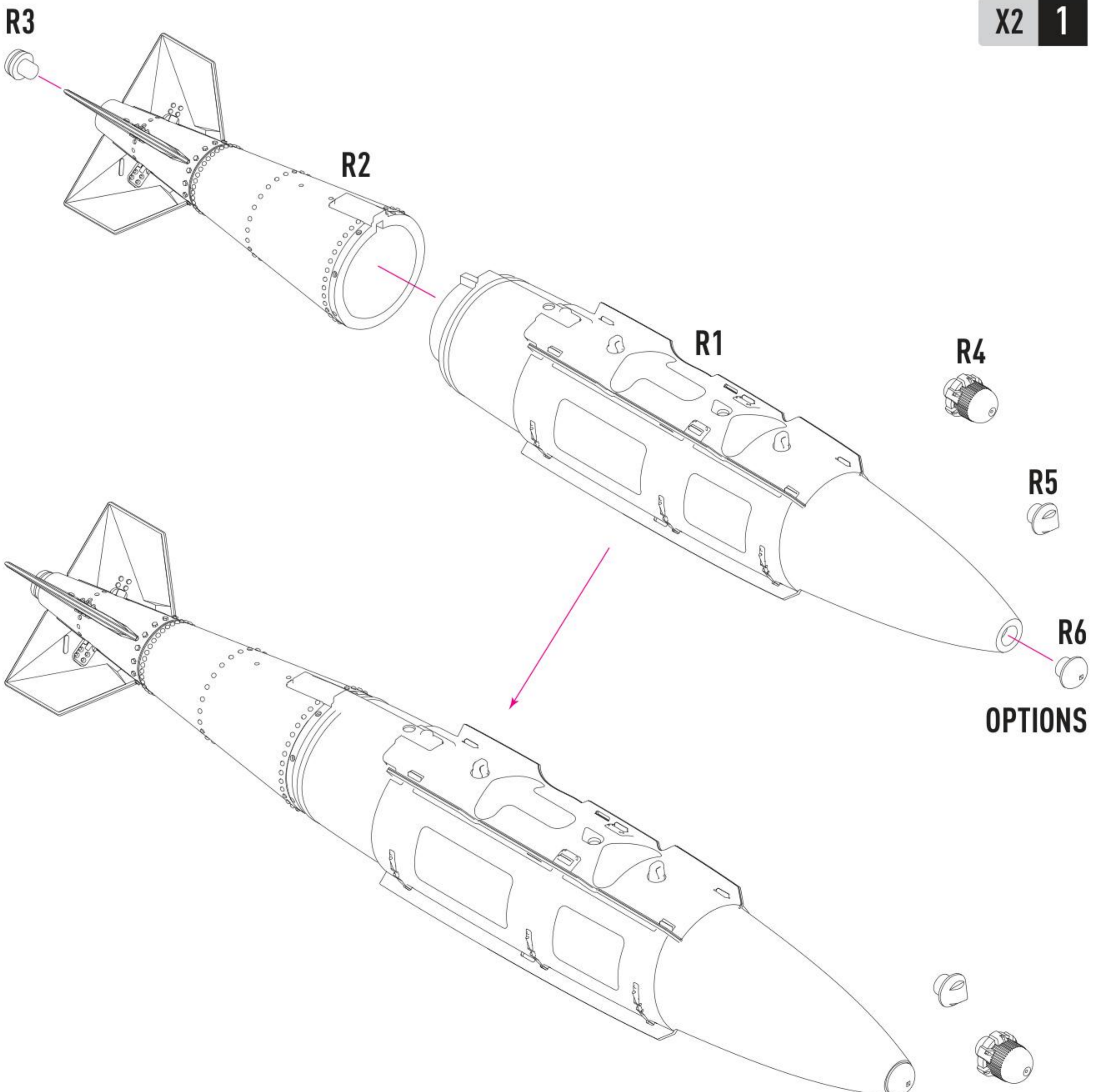


R5 X2



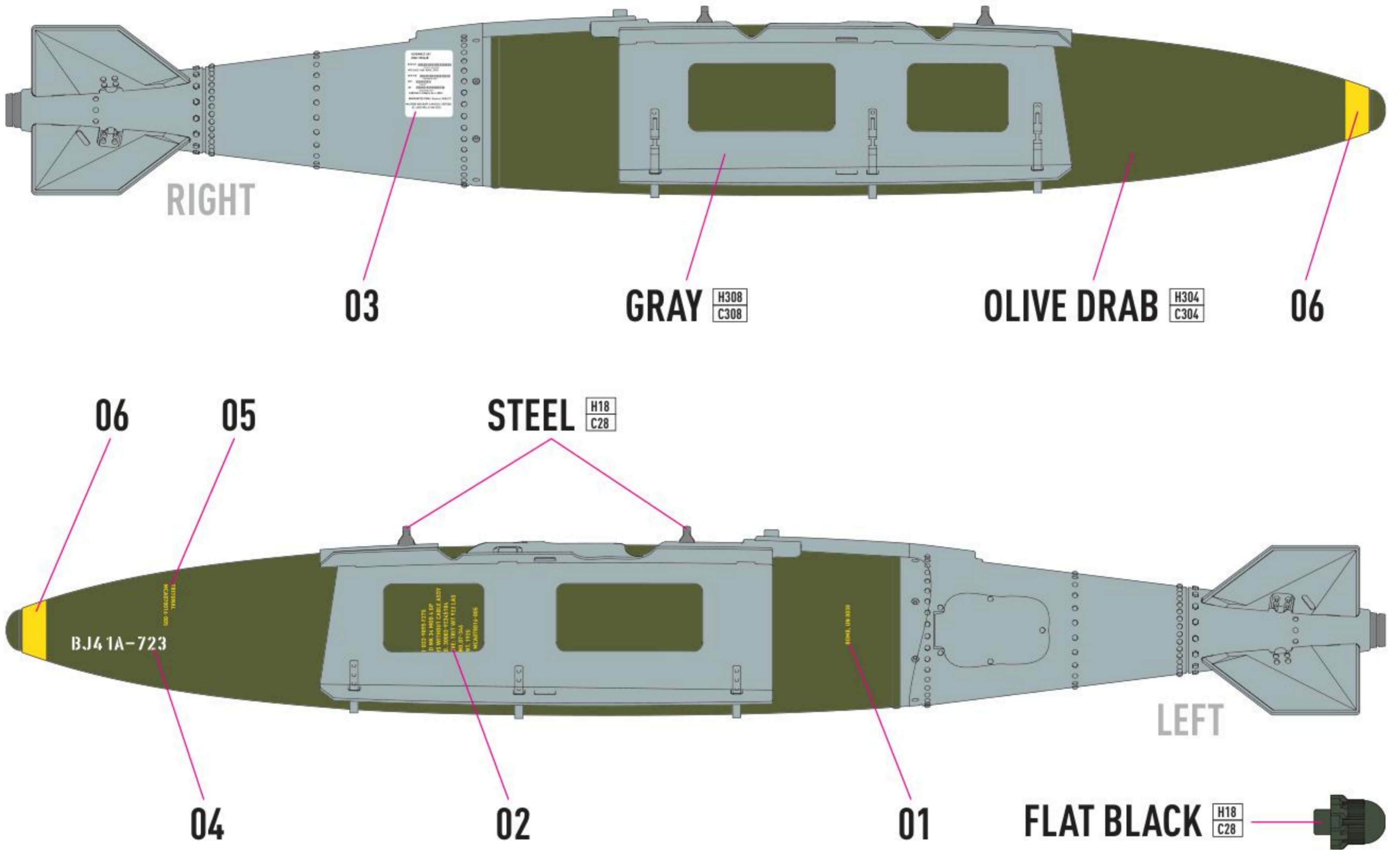
R6 X2

USE A SAW TO REMOVE SUPPORTS
 FROM 3D PRINTED PARTS



COLORS	GUNZE / AQUEOUS	GUNZE / MR.COLOR
OLIVE DRAB	H304	C304
STEEL	H18	C28

COLORS	GUNZE / AQUEOUS	GUNZE / MR.COLOR
GRAY	H308	C308
FLAT BLACK	H18	C28



APPLYING MASKS

