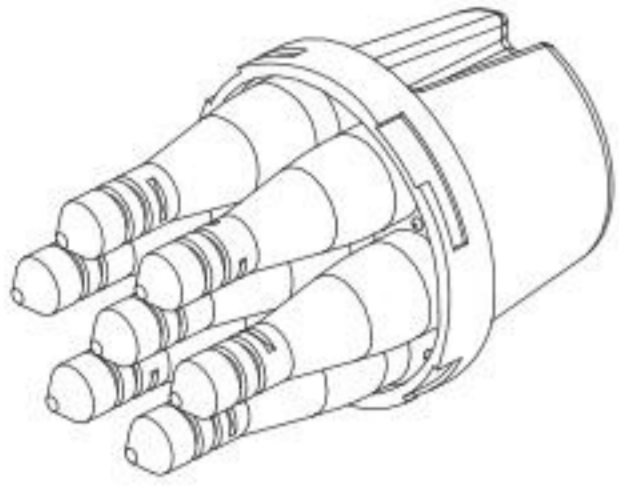


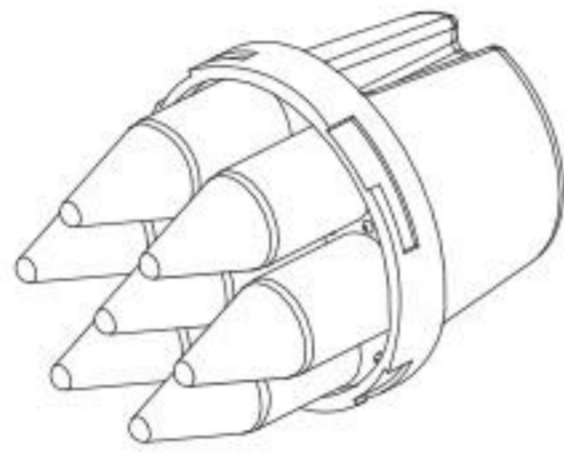


USE A SAW TO REMOVE SUPPORTS  
FROM 3D PRINTED PARTS

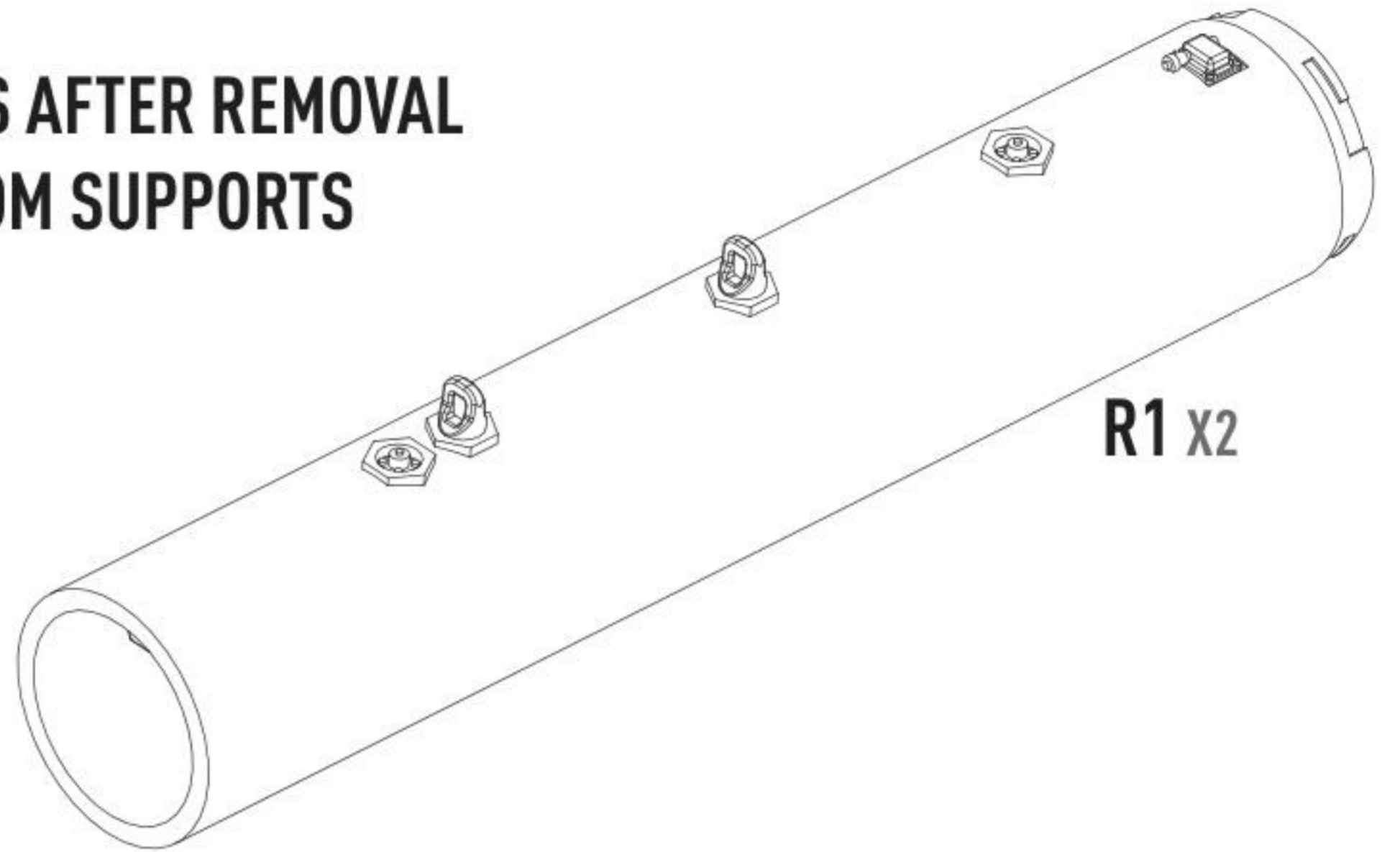
**DETAILS AFTER REMOVAL  
FROM SUPPORTS**



**R2 X2**

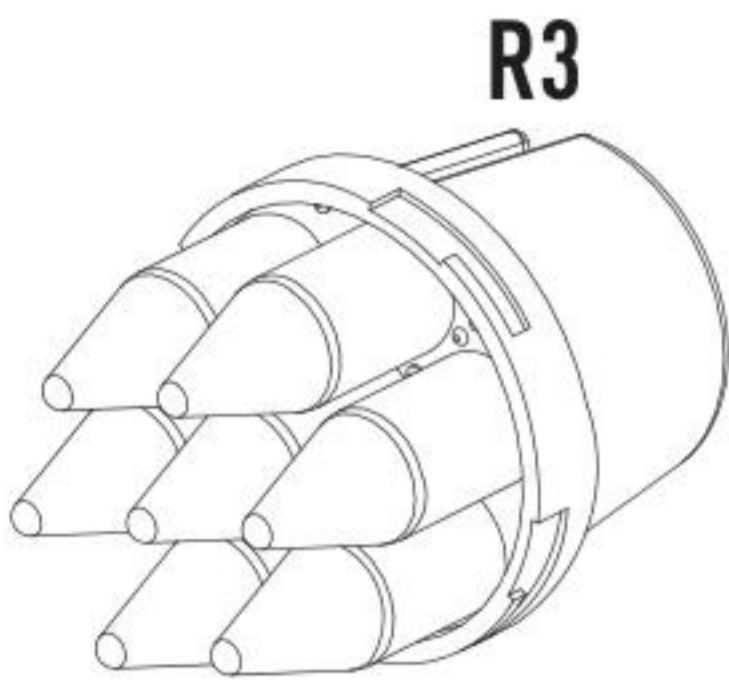


**R3 X2**

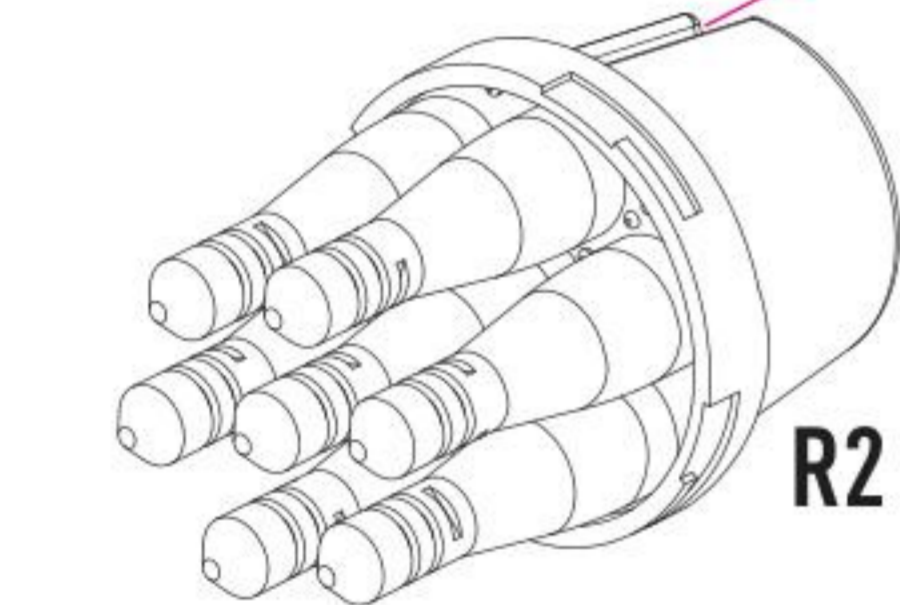


**R1 X2**

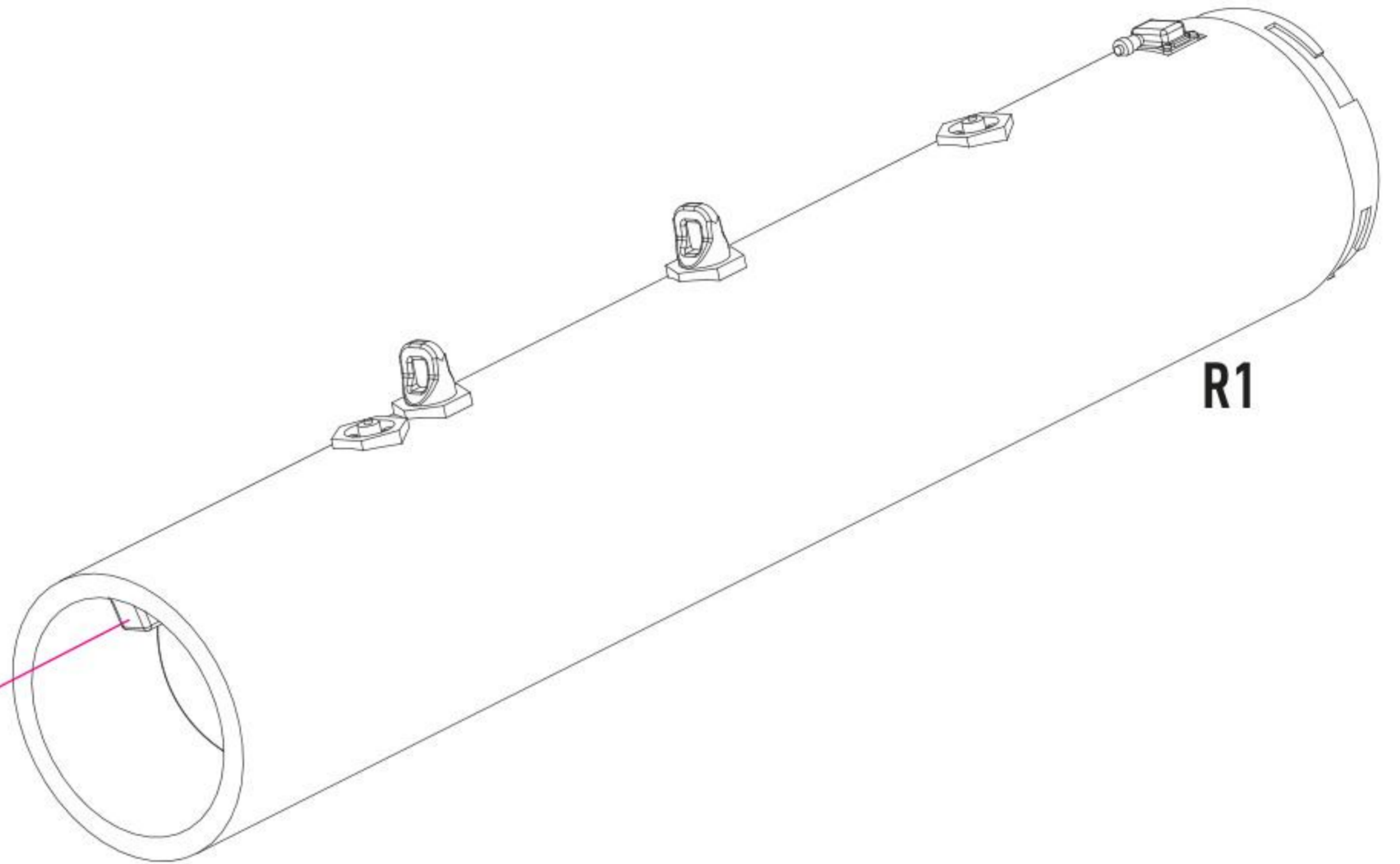
**1 X2**



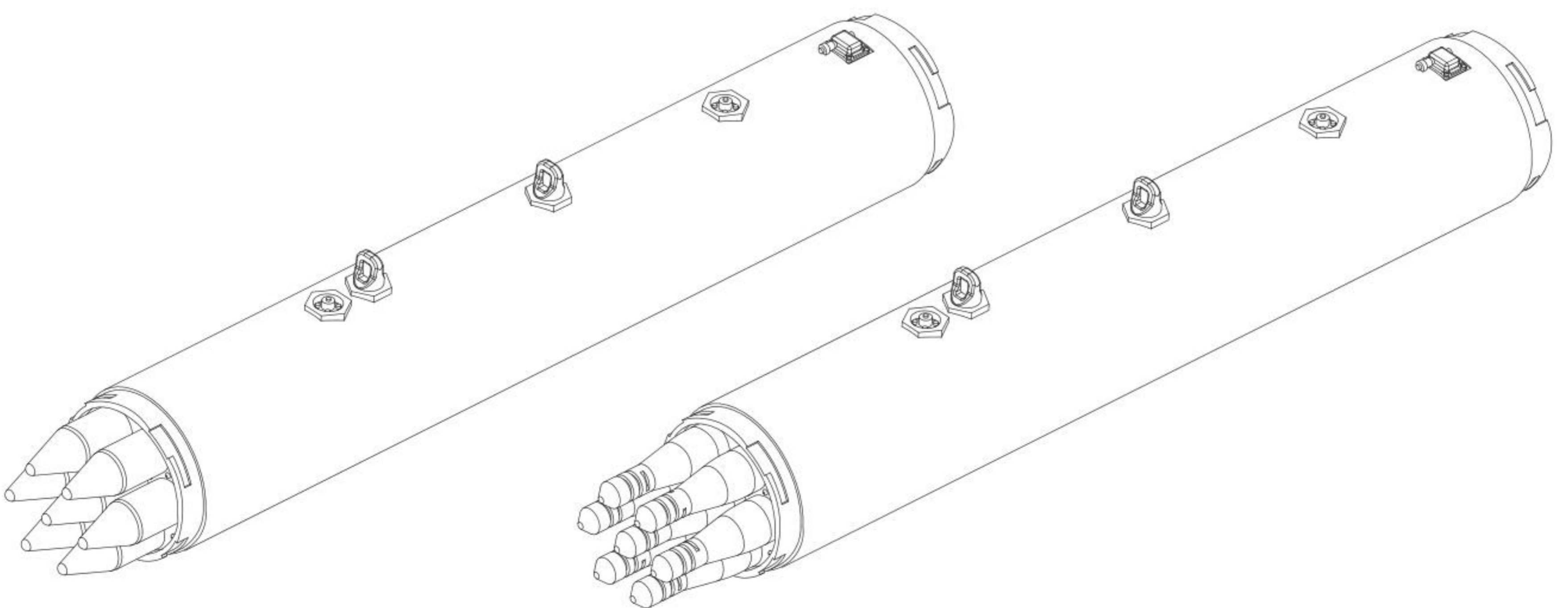
**R3**

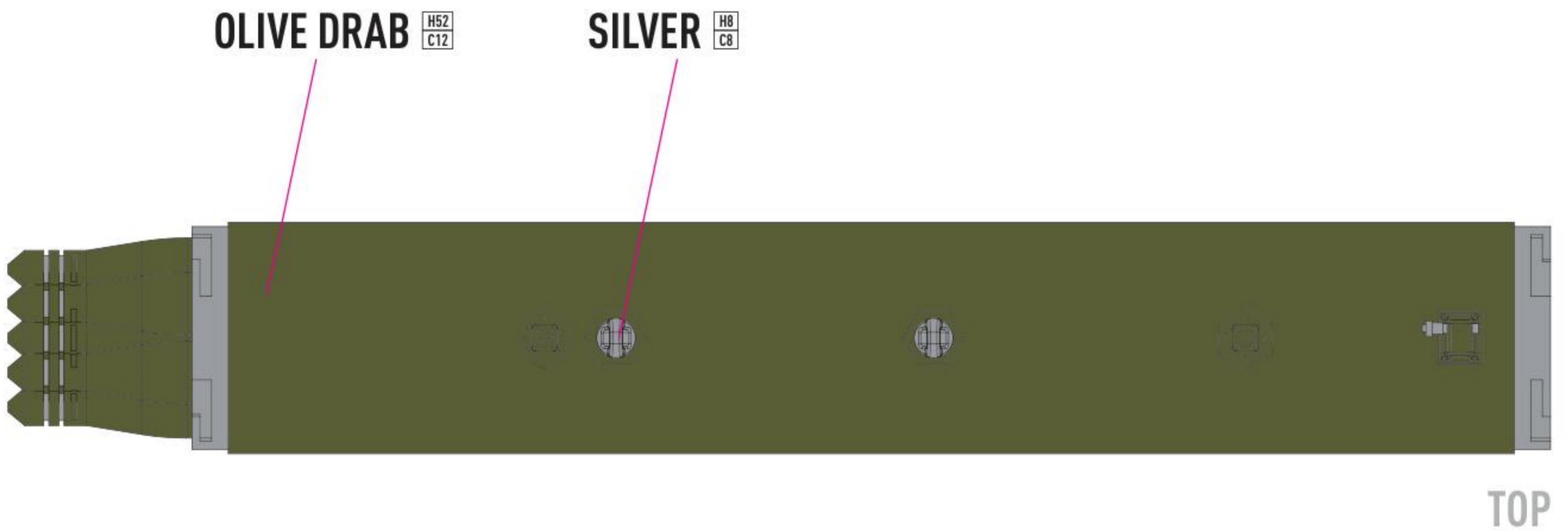
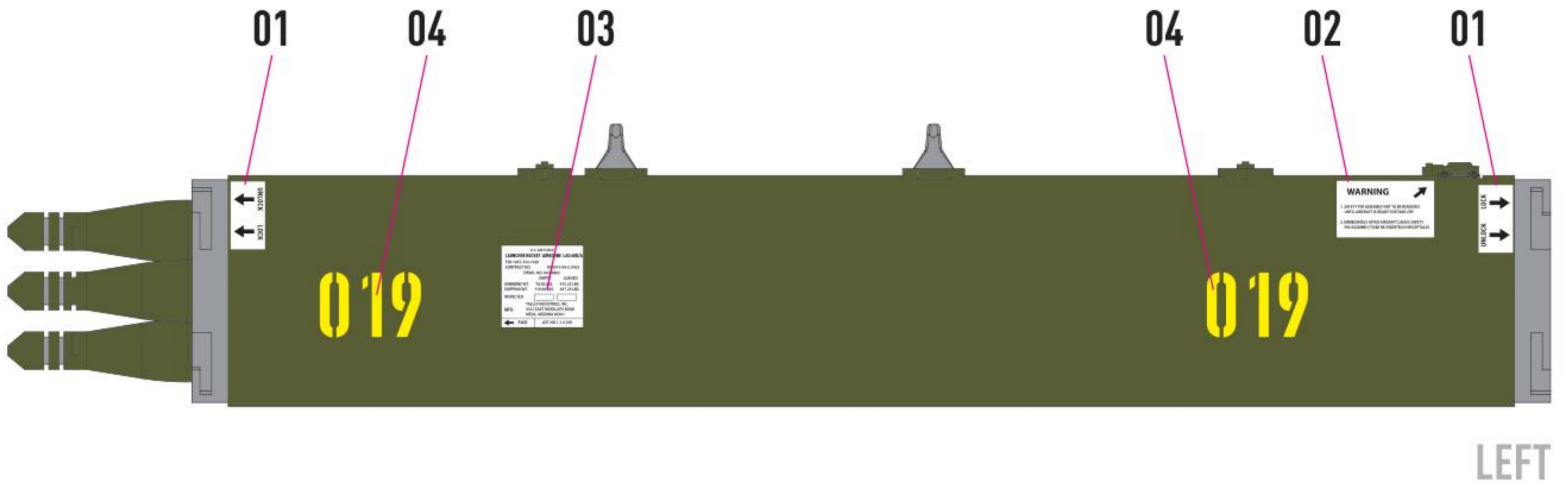


**R2**



**R1**





| COLORS     | GUNZE / AQUEOUS | GUNZE / MR.COLOR |
|------------|-----------------|------------------|
| SILVER     | H8              | C8               |
| OLIVE DRAB | H52             | C12              |