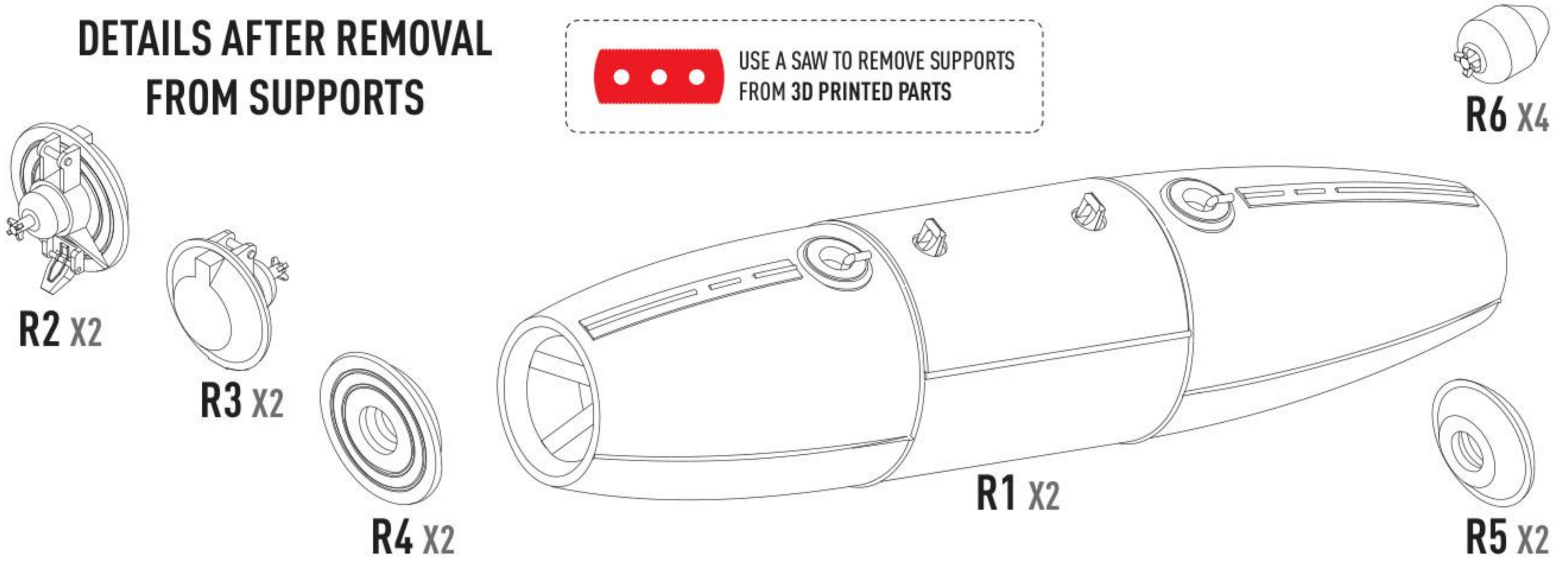
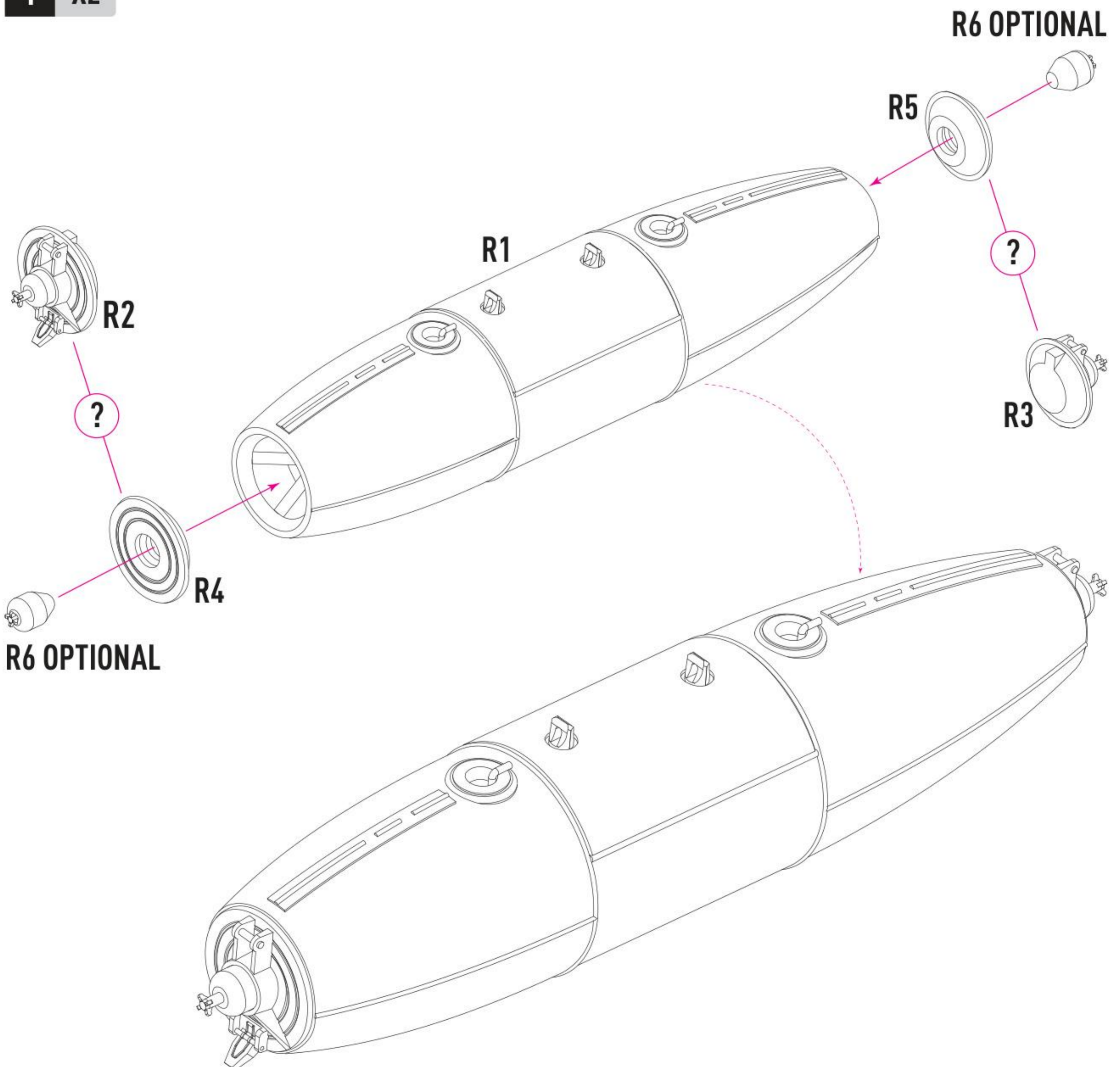


**DETAILS AFTER REMOVAL
FROM SUPPORTS**

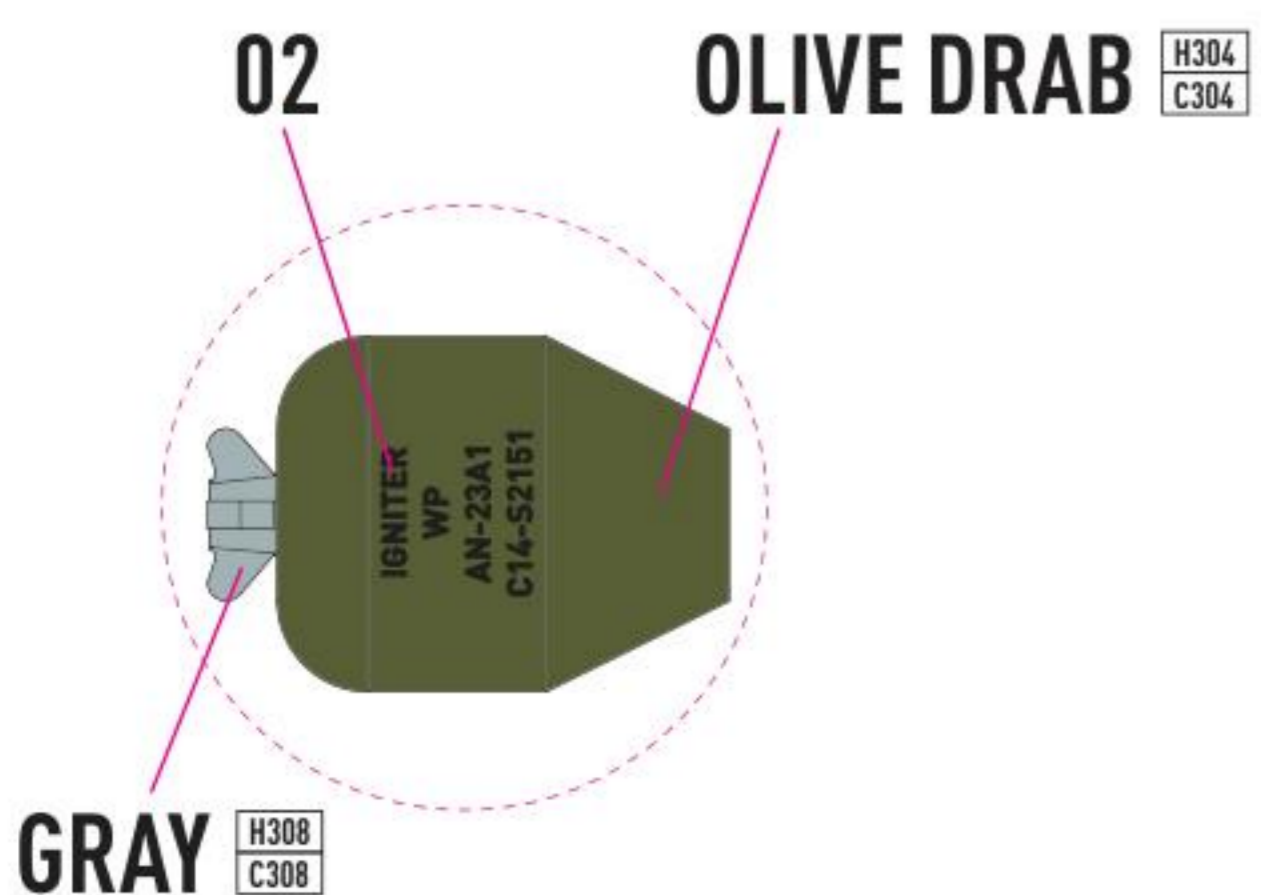
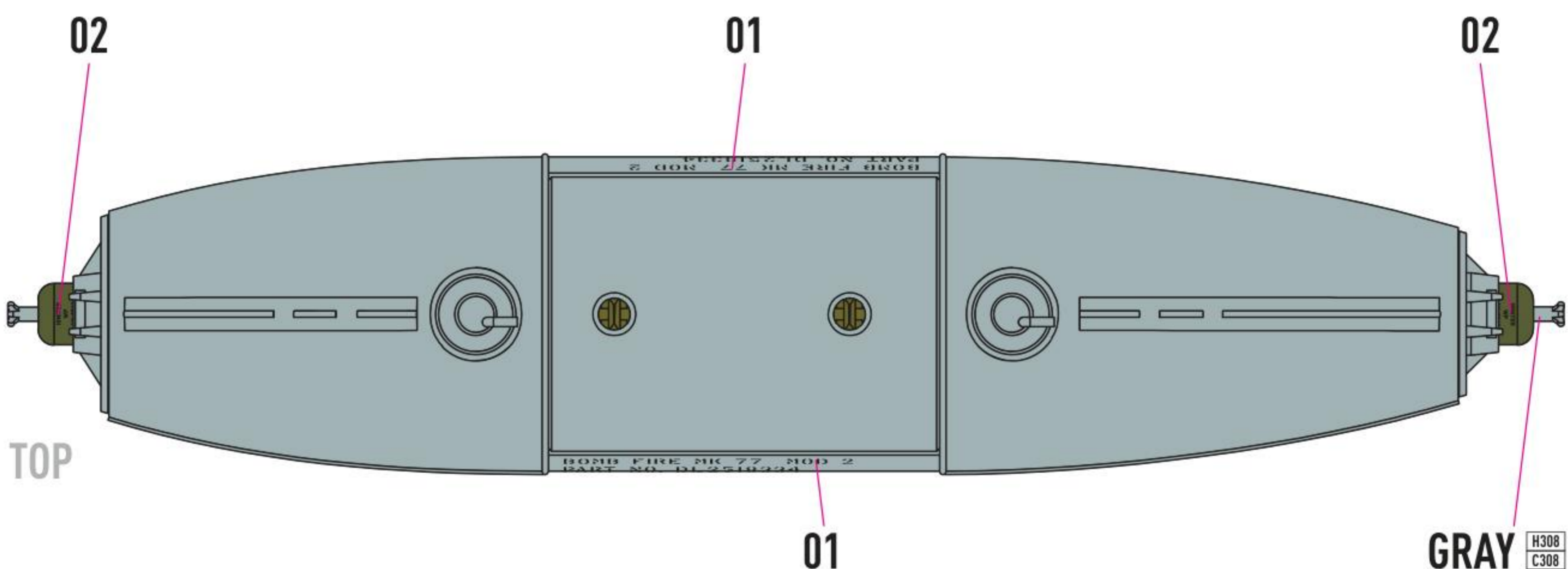
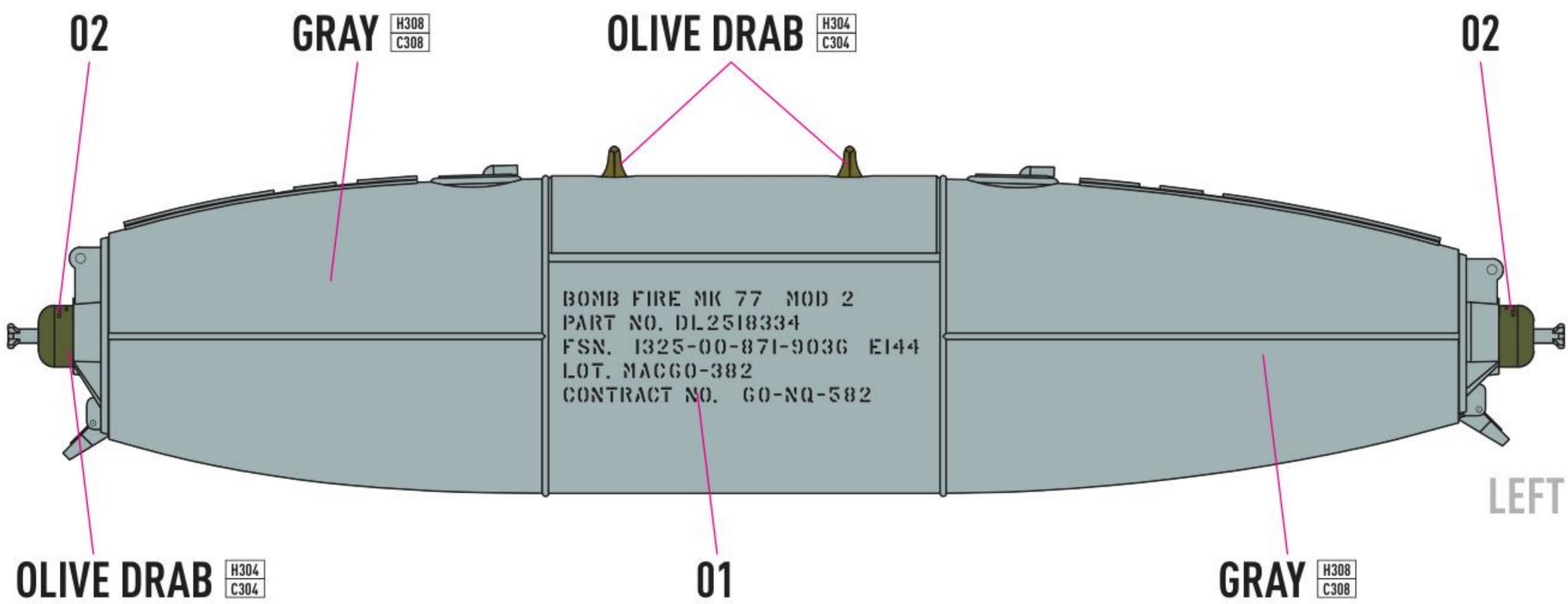
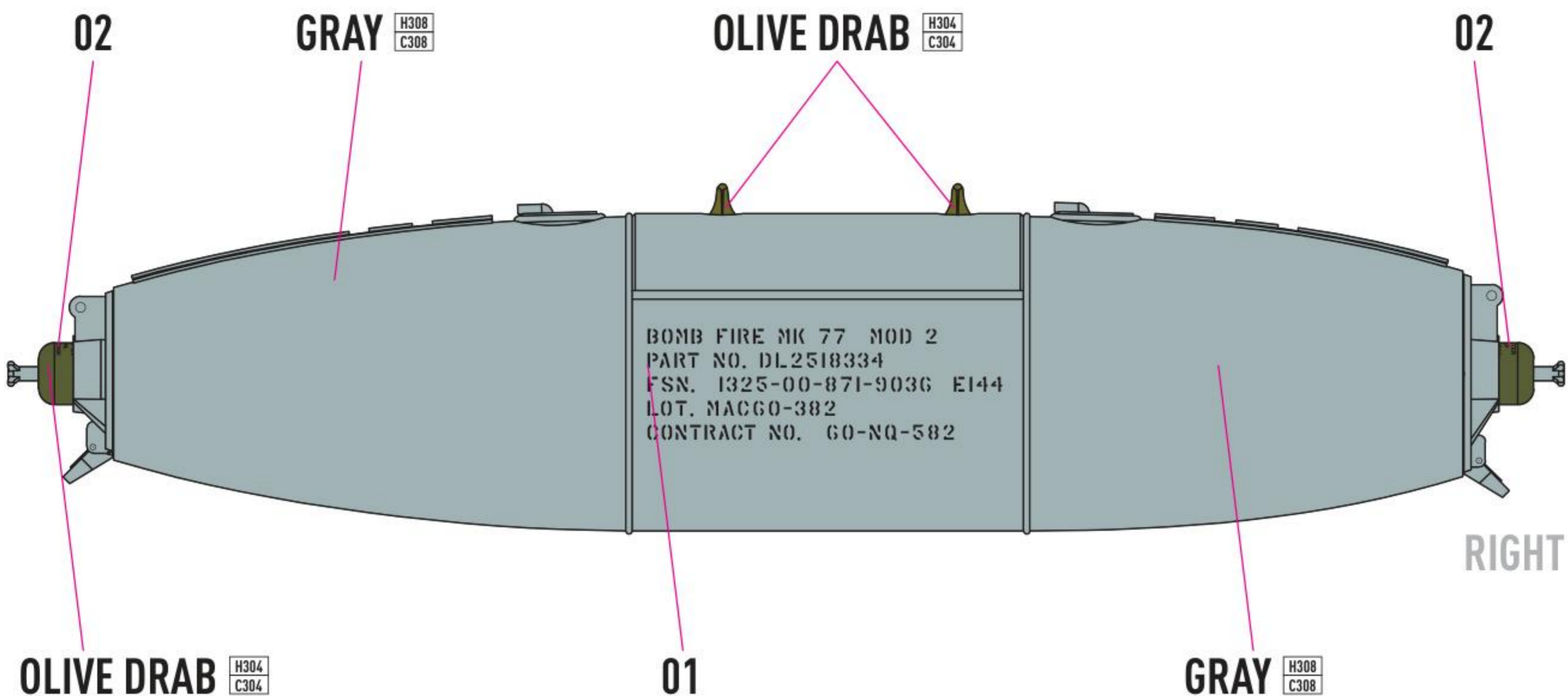
 USE A SAW TO REMOVE SUPPORTS
FROM 3D PRINTED PARTS



1 X2



DECAL INSTRUCTION



COLORS	GUNZE / AQUEOUS	GUNZE / MR.COLOR
OLIVE DRAB	H304	C304
GRAY	H308	C308