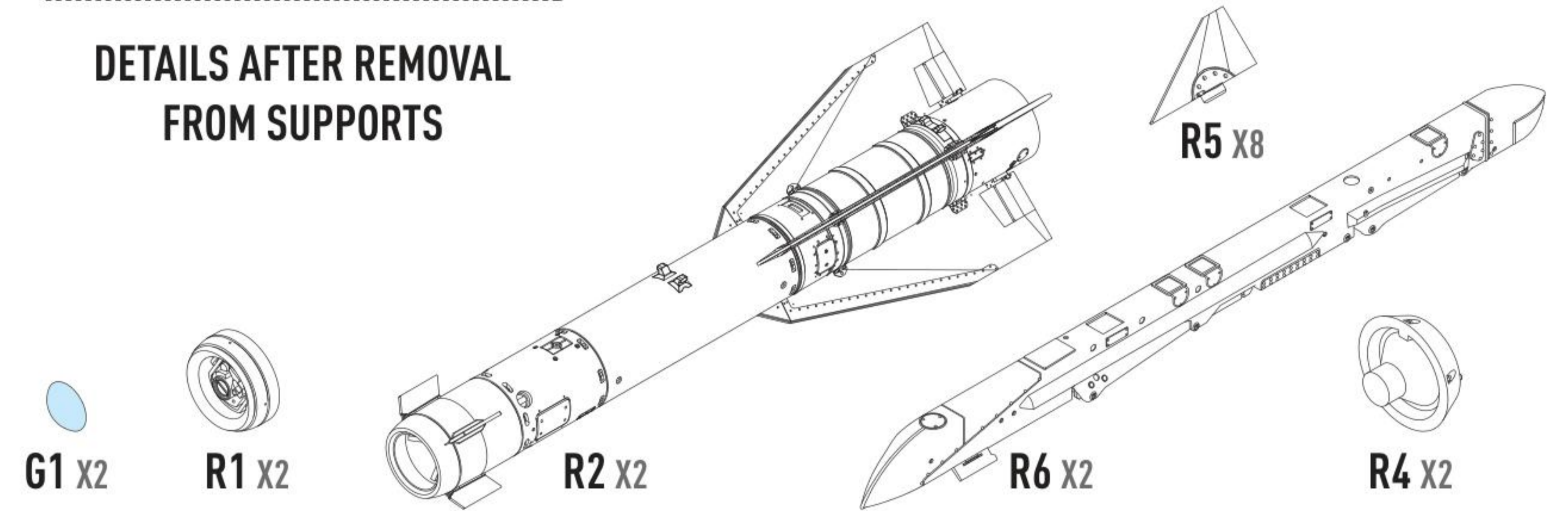


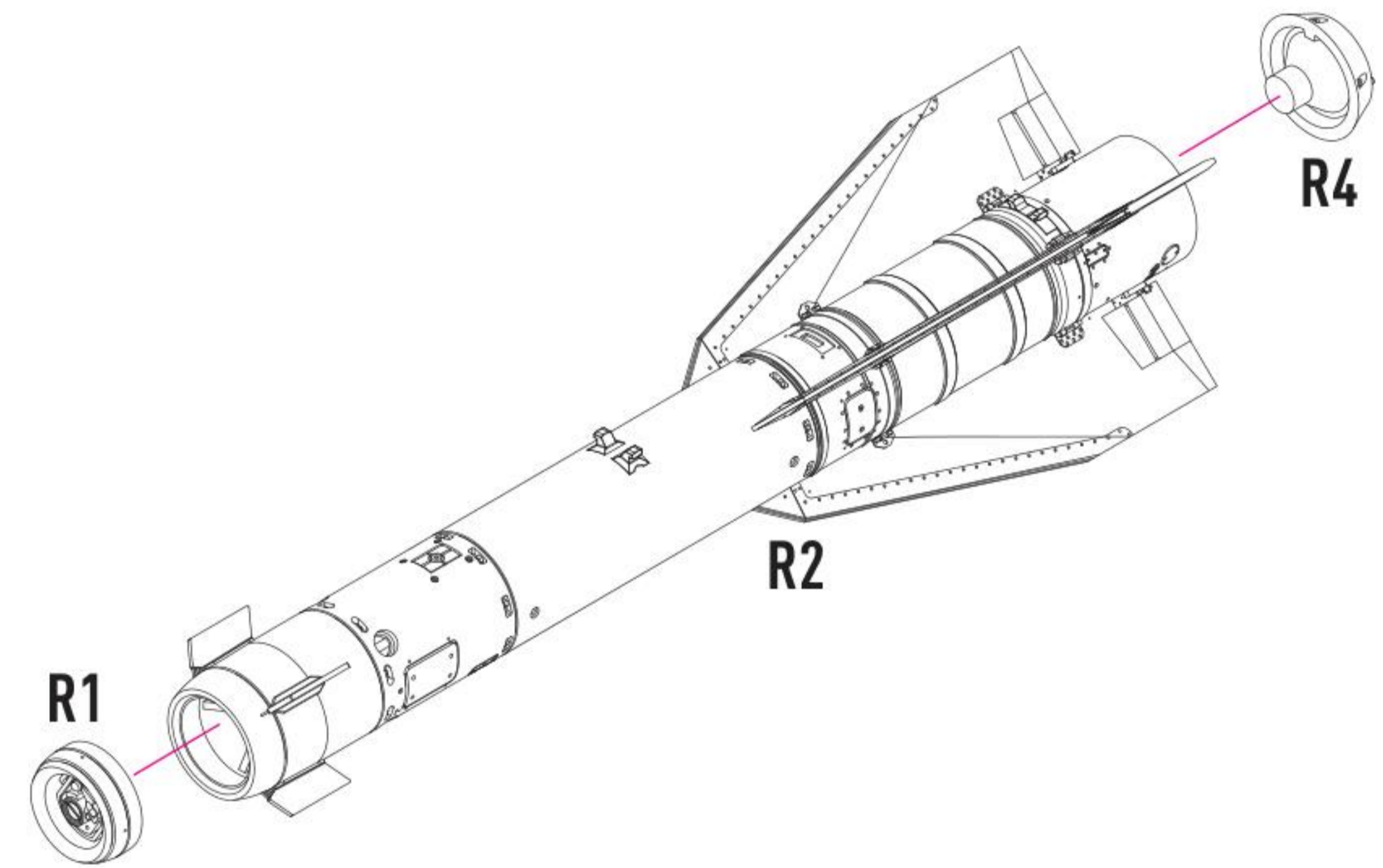
COLORS	GUNZE / AQUEOUS	GUNZE / MR.COLOR
WHITE	H1	C1
SILVER	H8	C8
RED	H3	C3

USE A SAW TO REMOVE SUPPORTS  
FROM 3D PRINTED PARTS

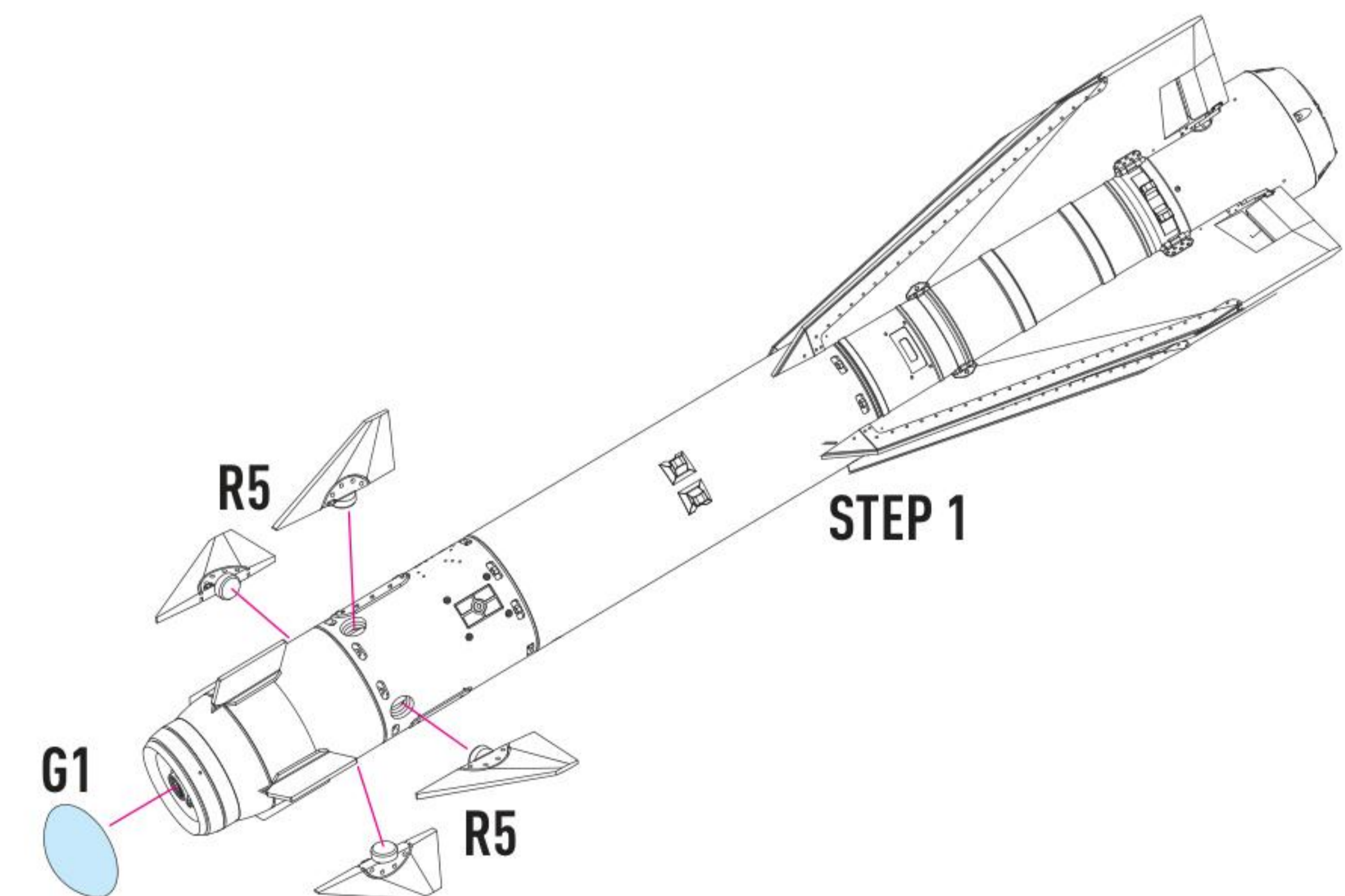
DETAILS AFTER REMOVAL  
FROM SUPPORTS



**1** X2



**2** X2



**3** X2

