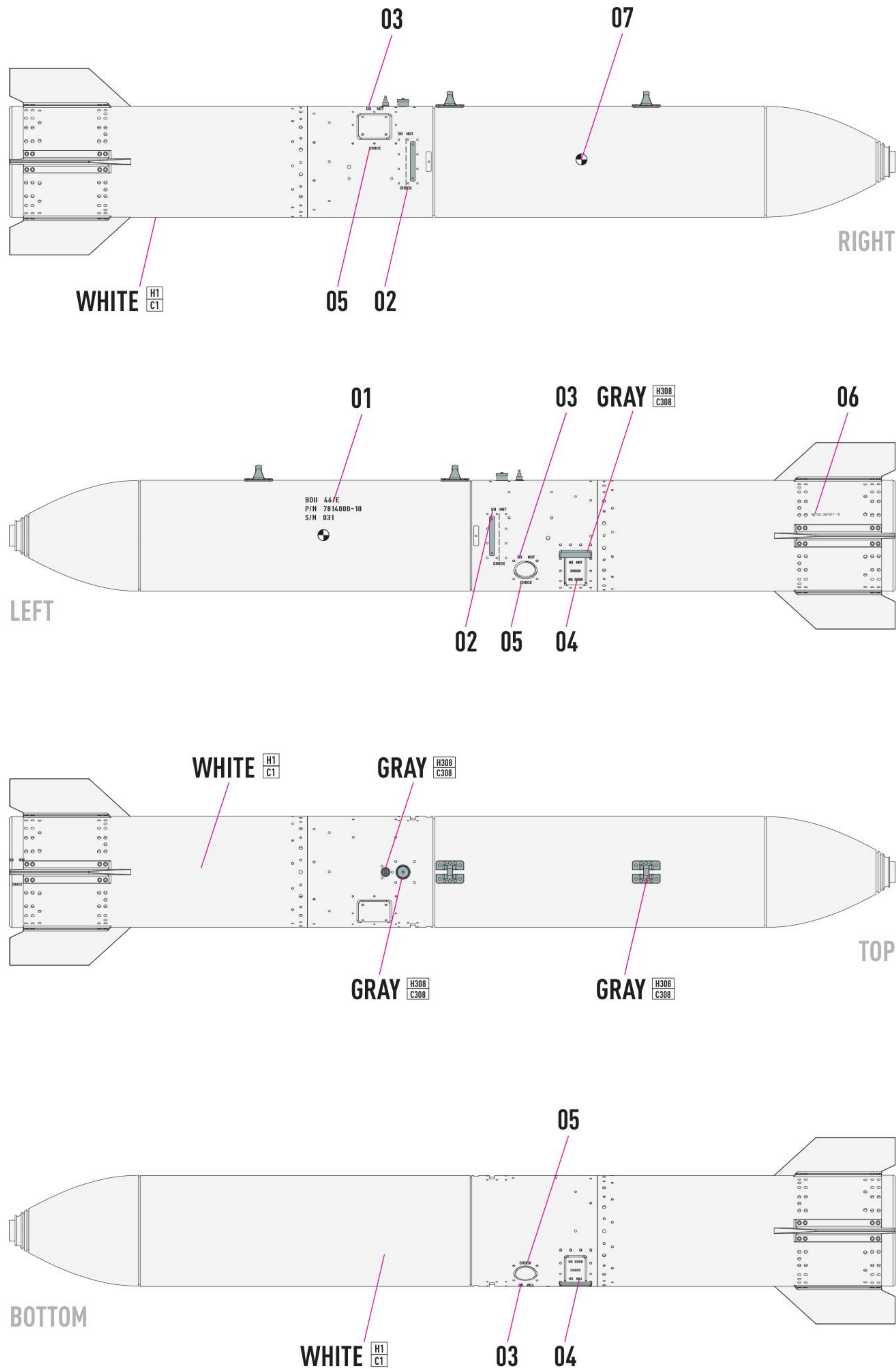


# DECAL INSTRUCTION

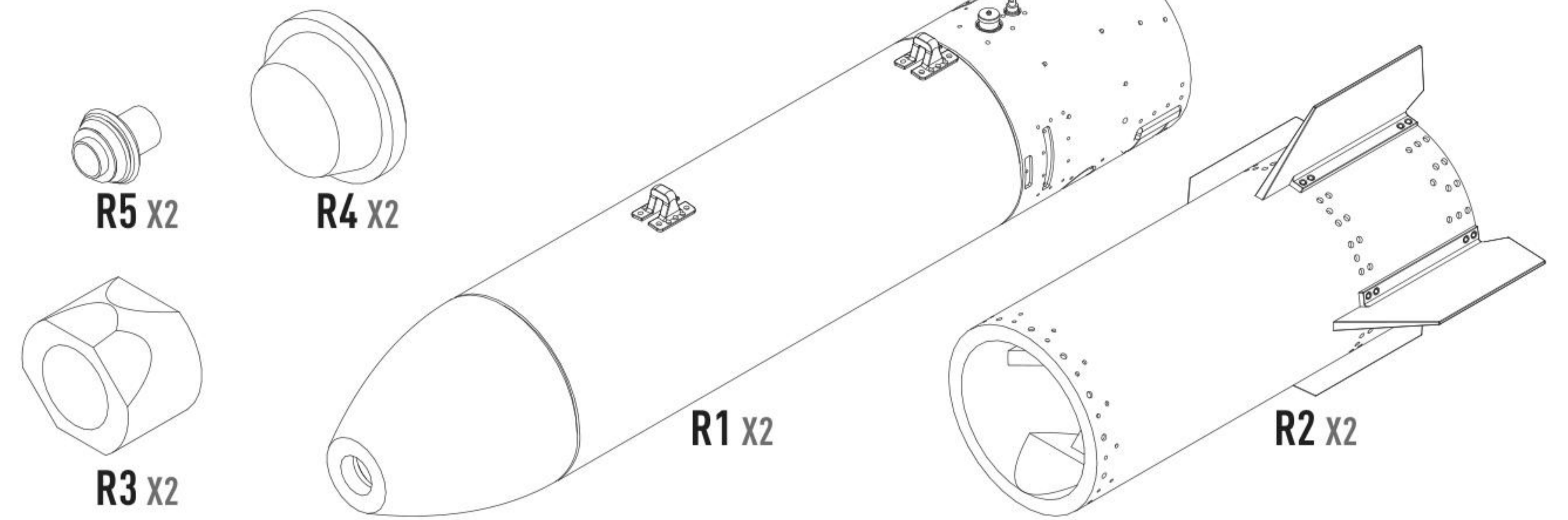


COLORS	GUNZE / AQUEOUS	GUNZE / MR.COLOR
GRAY	H308	C308

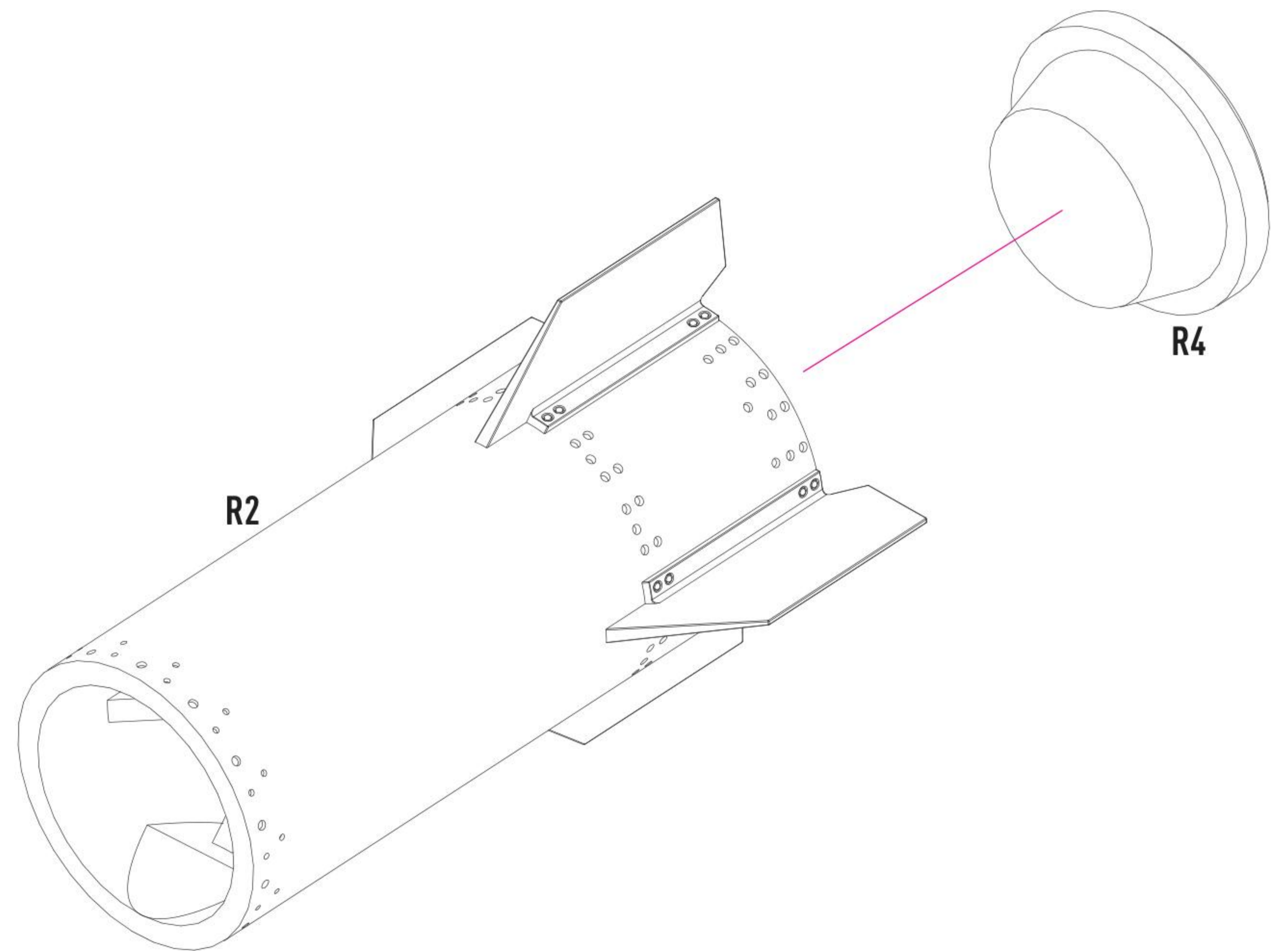
COLORS	GUNZE / AQUEOUS	GUNZE / MR.COLOR
WHITE	H1	C1

USE A SAW TO REMOVE SUPPORTS FROM 3D PRINTED PARTS

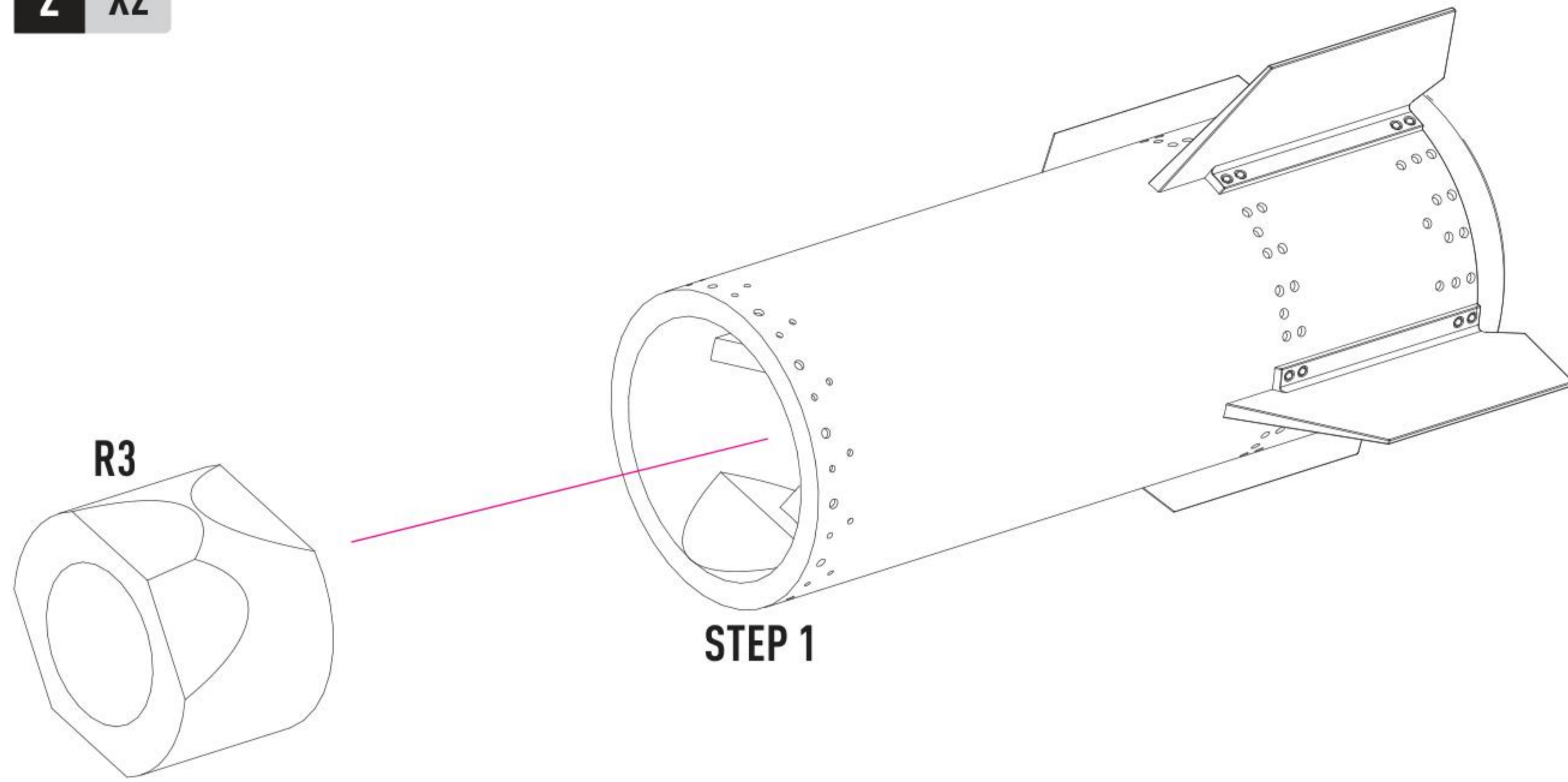
### DETAILS AFTER REMOVAL FROM SUPPORTS



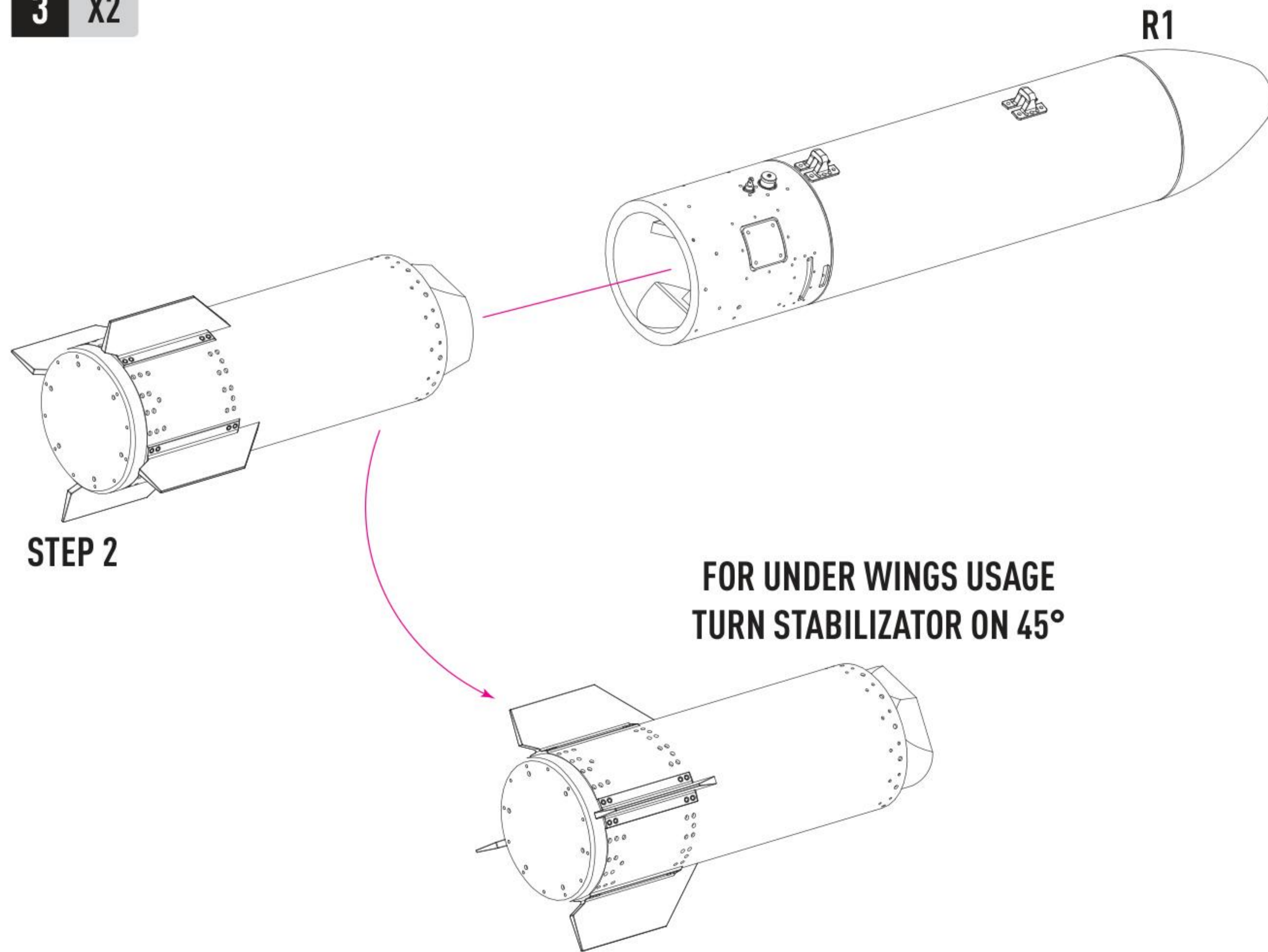
1 X2



**2** X2



**3** X2



**4** X2

