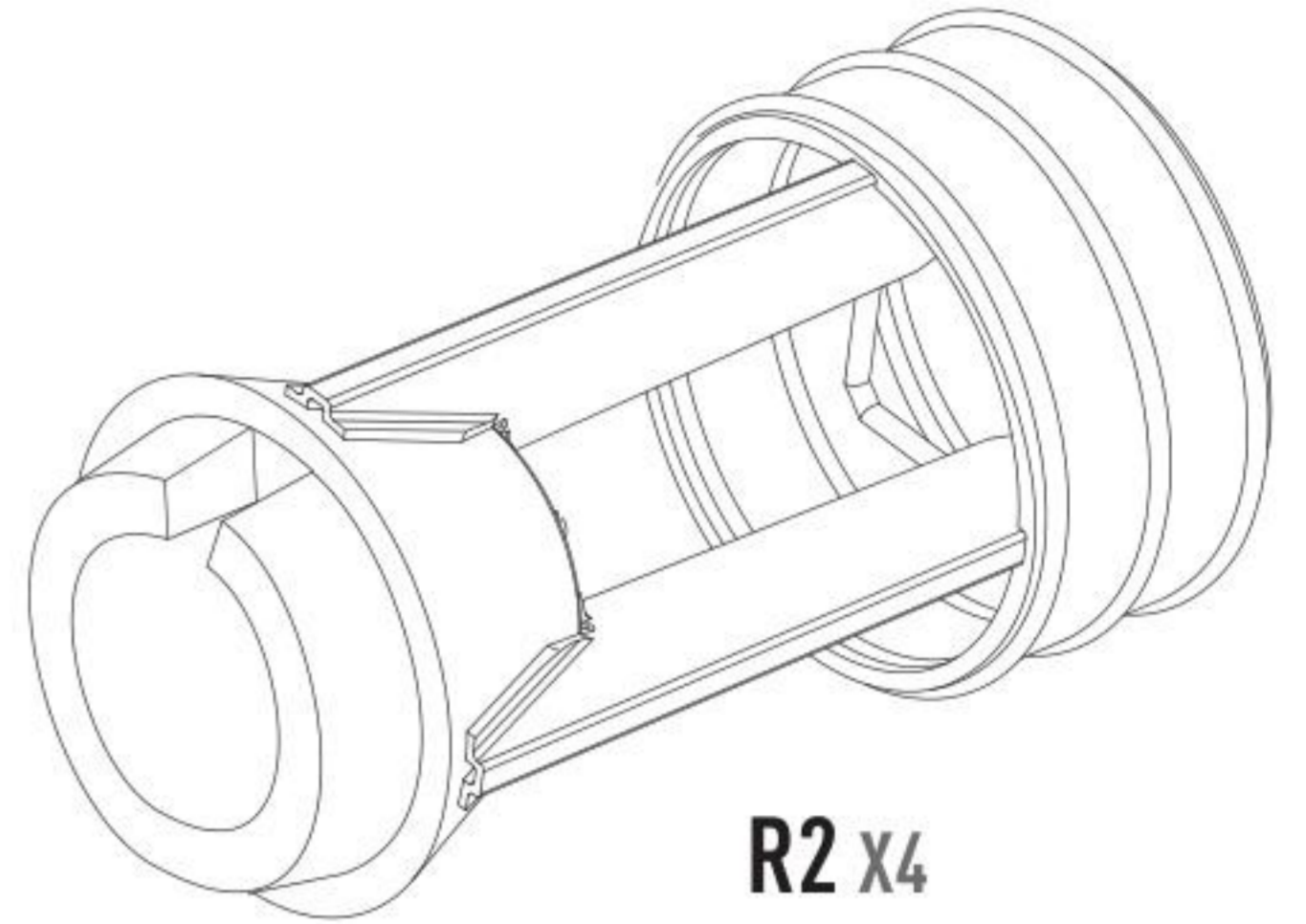
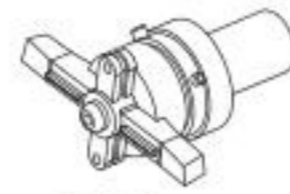
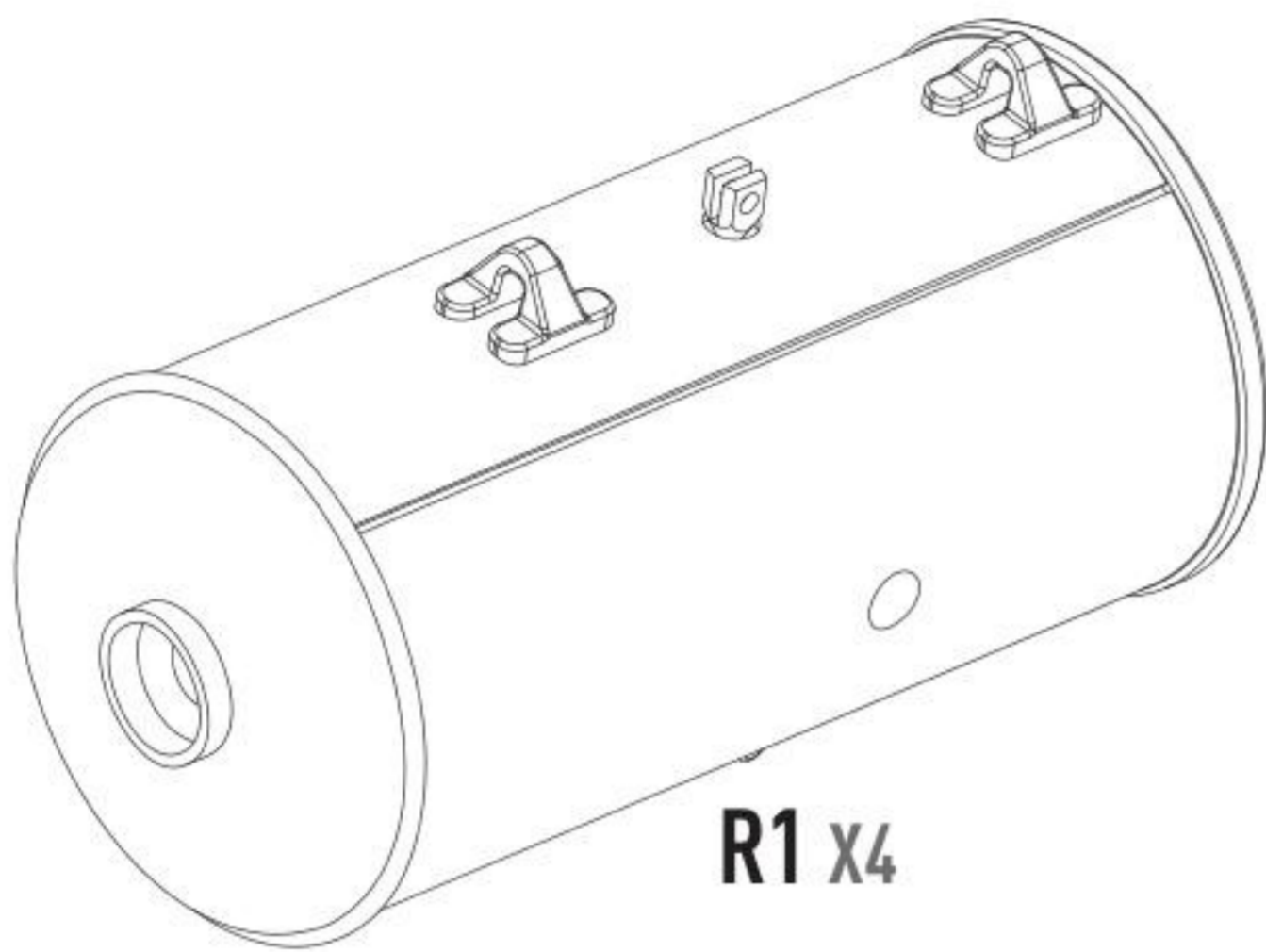


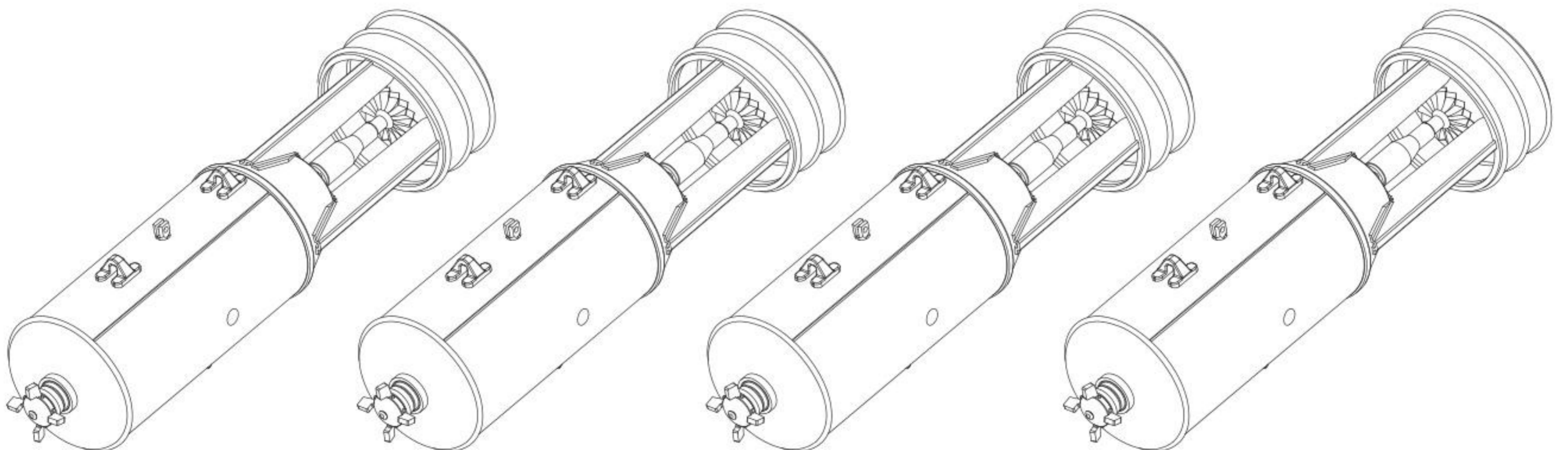
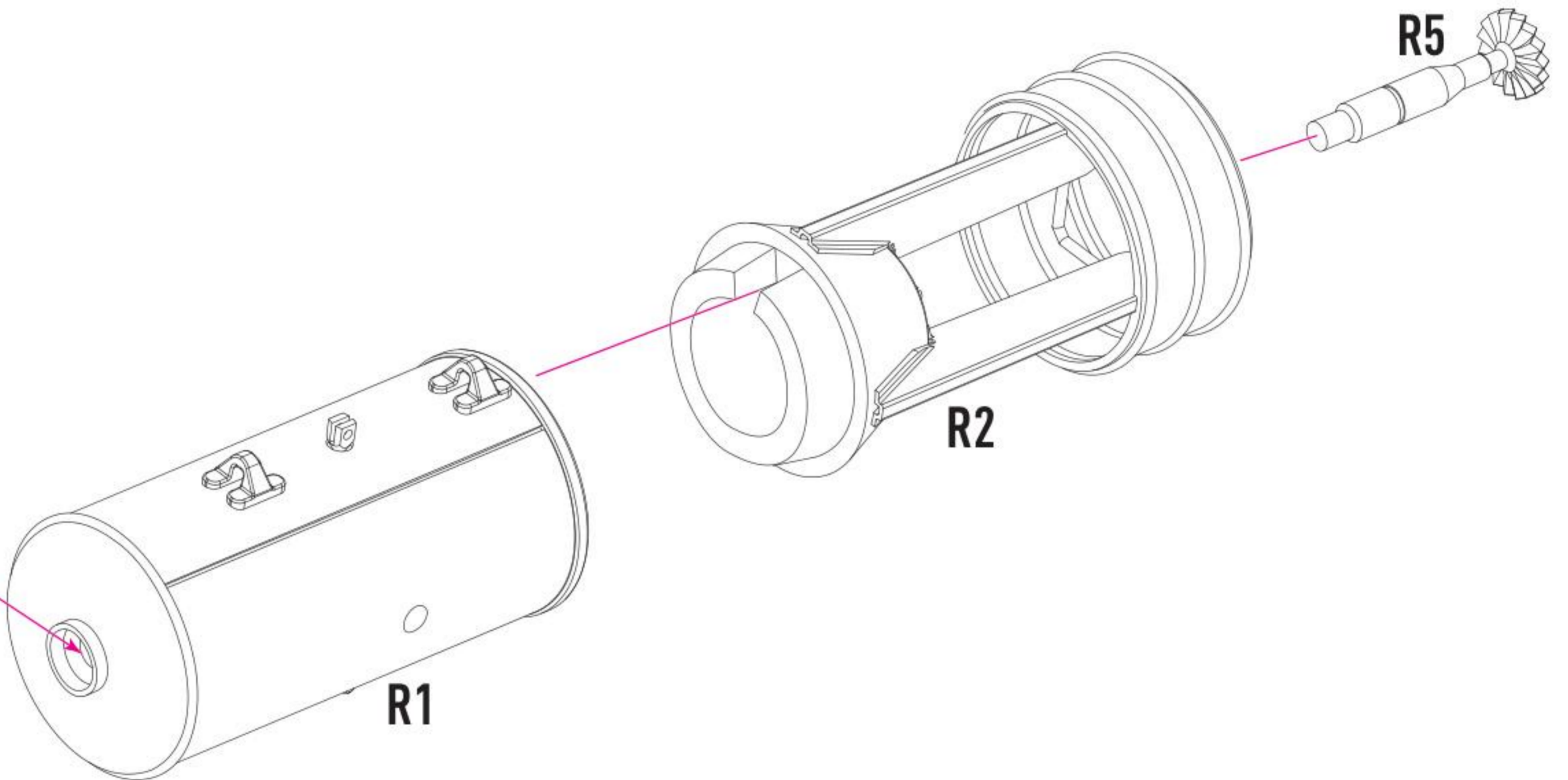
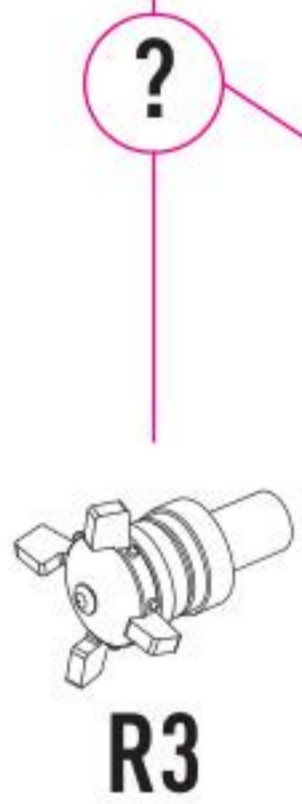
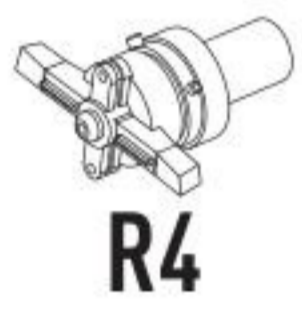
**DETAILS AFTER REMOVAL  
FROM SUPPORTS**



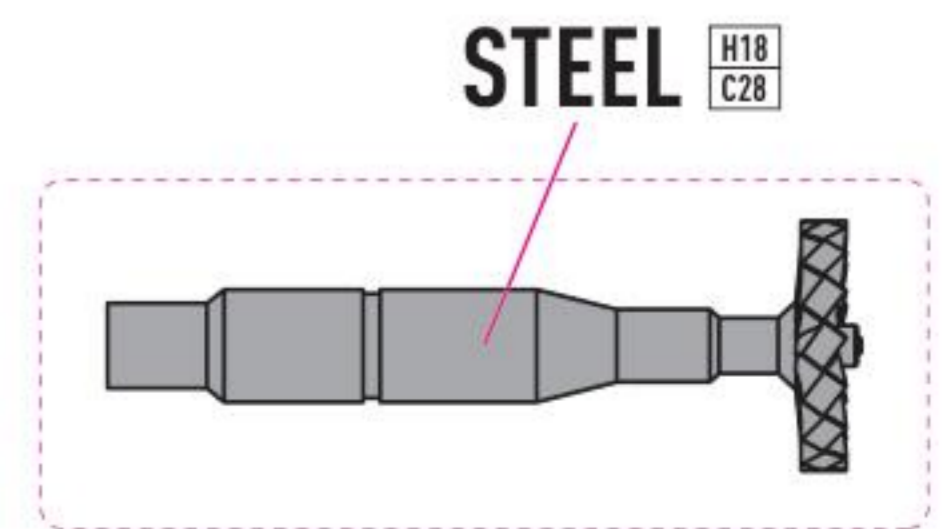
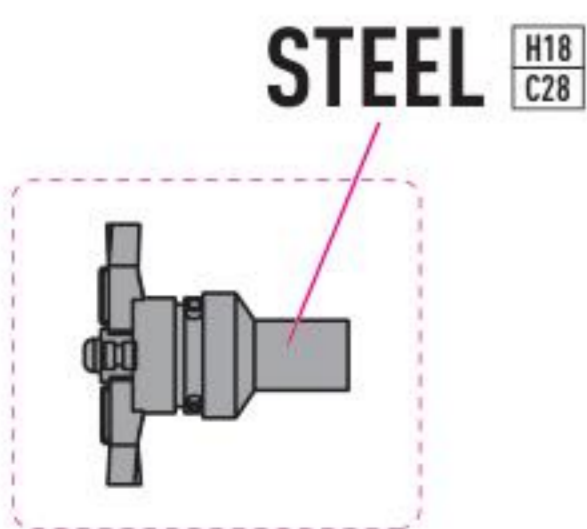
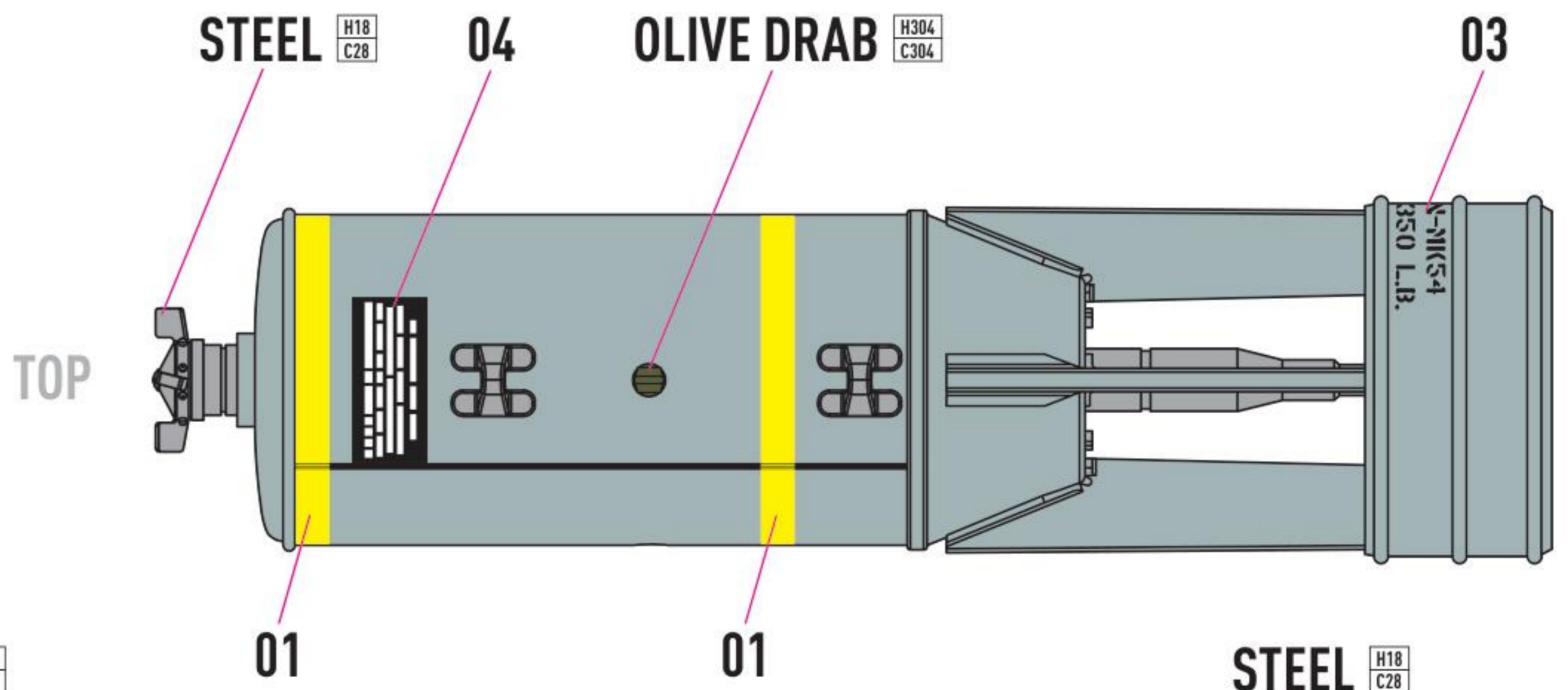
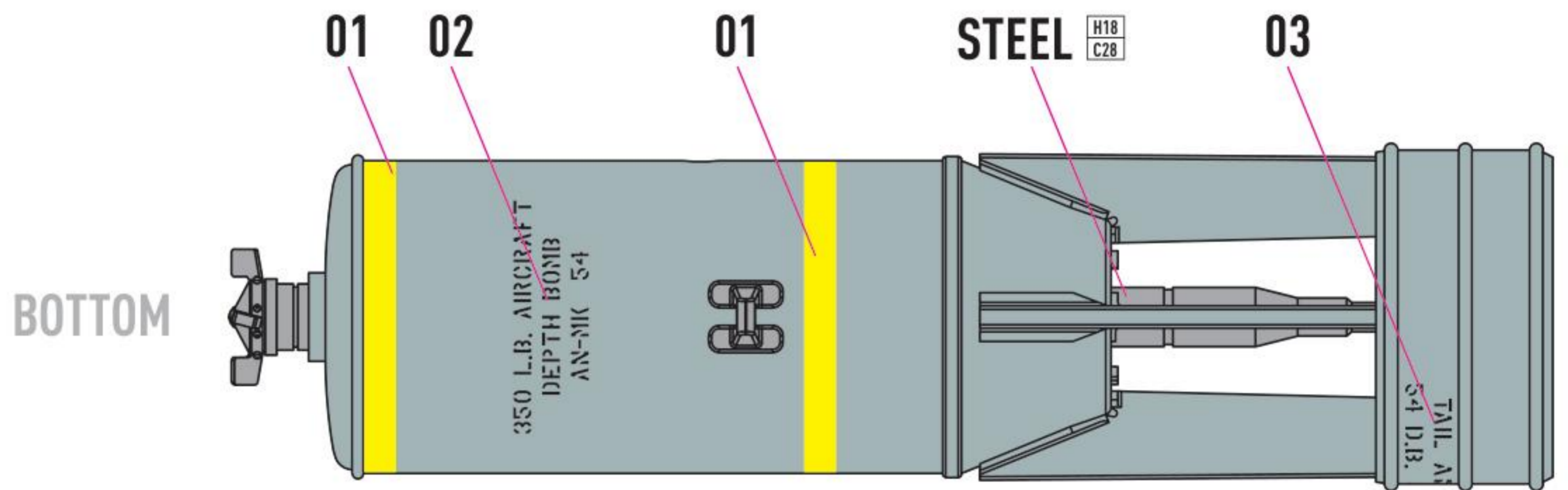
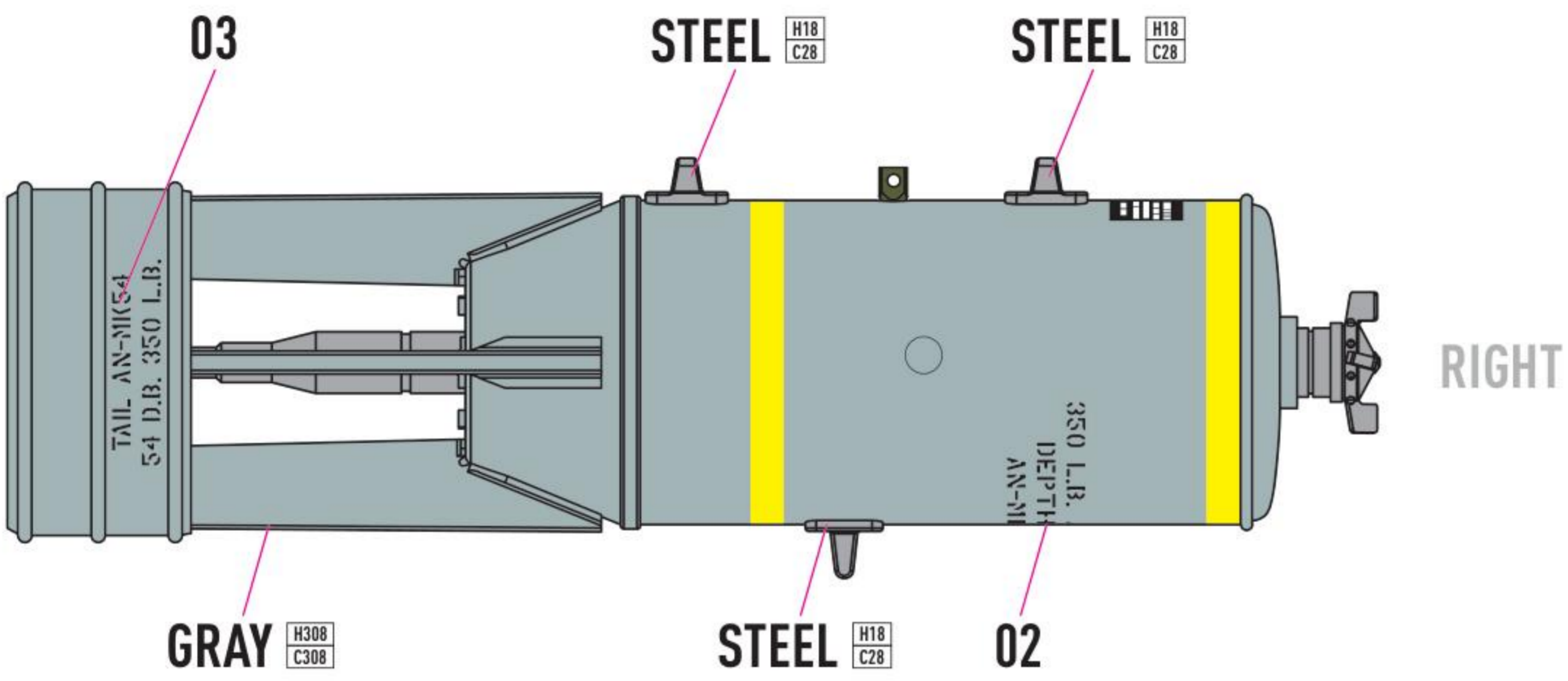
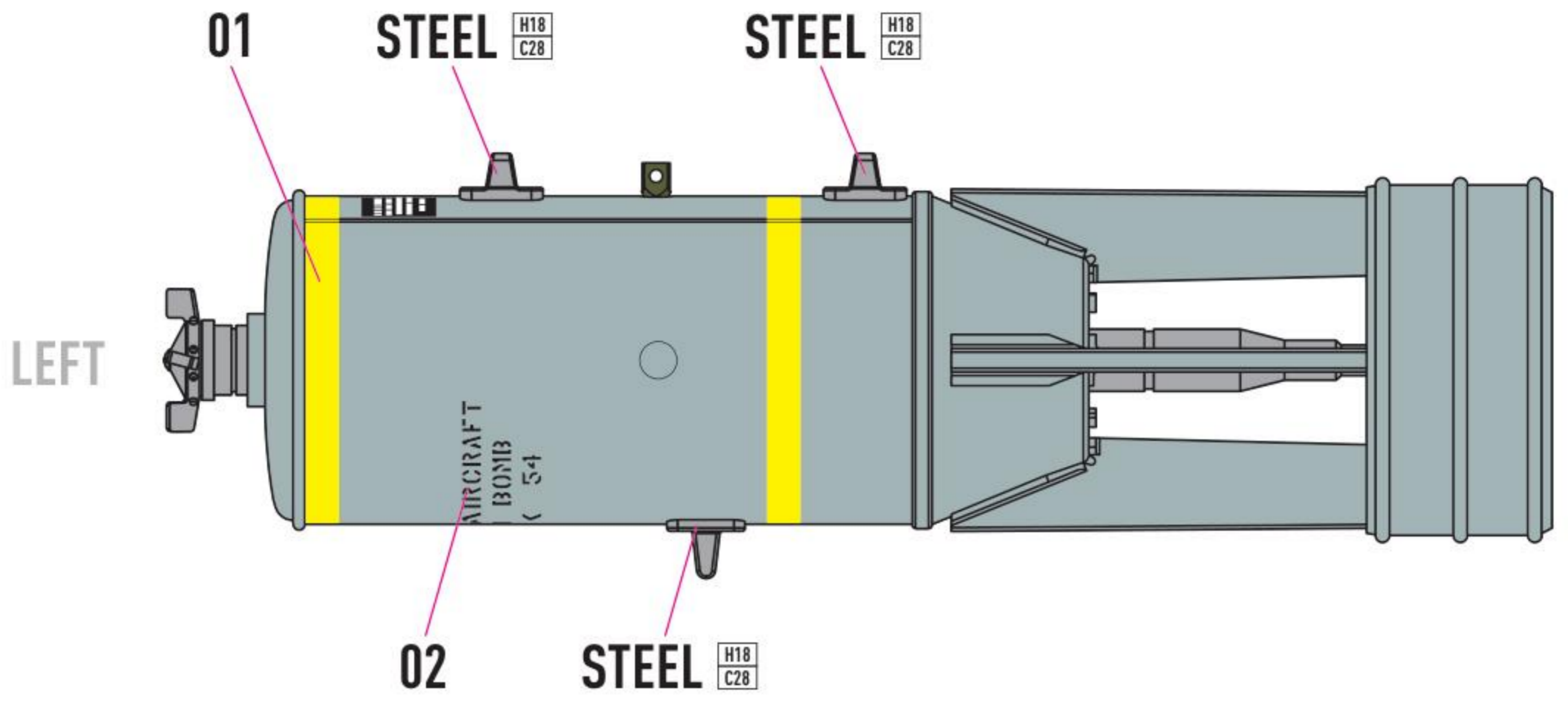
USE A SAW TO REMOVE SUPPORTS  
FROM 3D PRINTED PARTS



**1 X4**



# DECAL INSTRUCTION



COLORS	GUNZE / AOEUS	GUNZE / MR.COLOR
OLIVE DRAB	H304	C304

COLORS	GUNZE / AOEUS	GUNZE / MR.COLOR
GRAY	H308	C308

COLORS	GUNZE / AOEUS	GUNZE / MR.COLOR
STEEL	H18	C28