

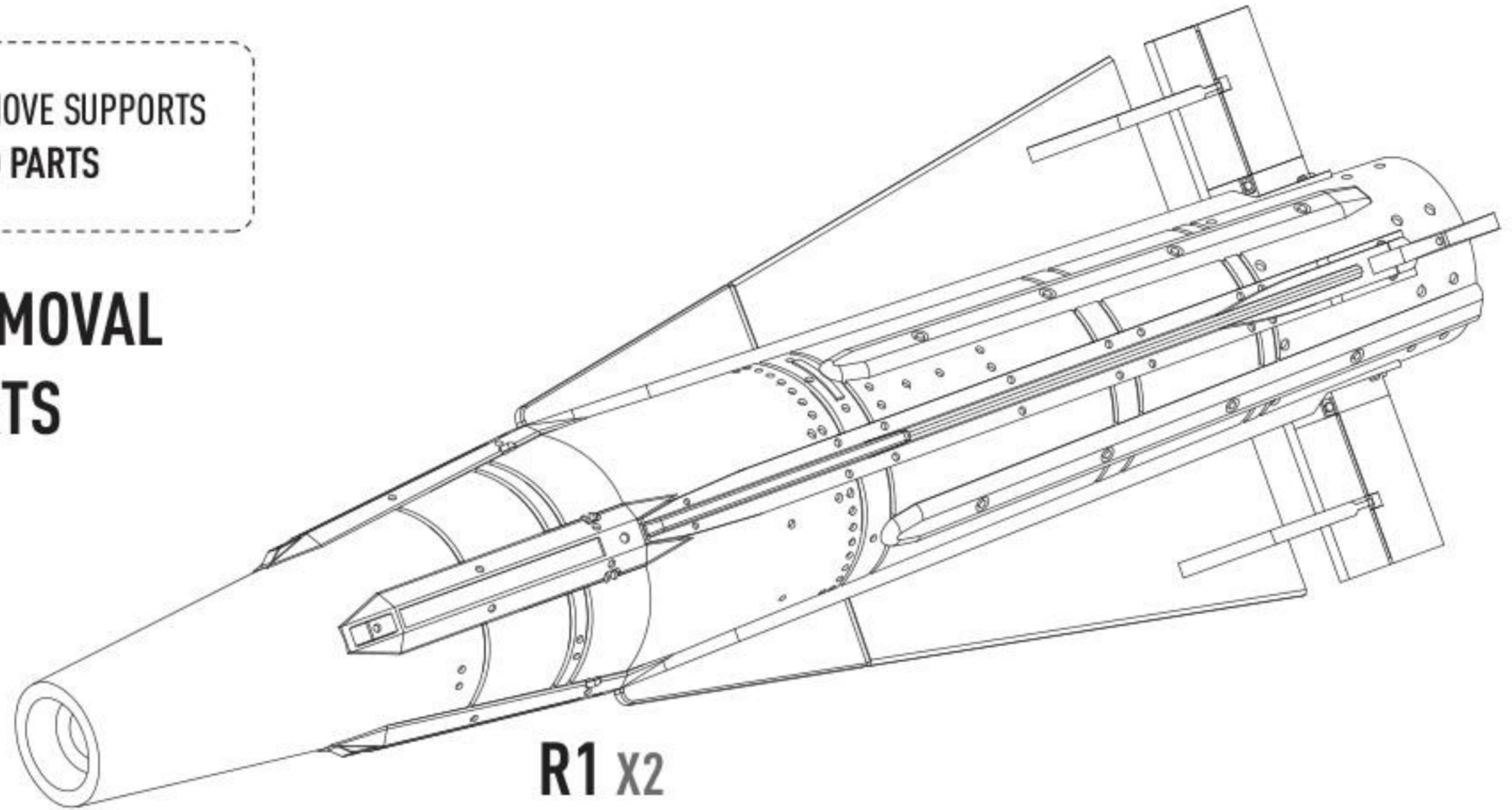


USE A SAW TO REMOVE SUPPORTS  
FROM 3D PRINTED PARTS

**DETAILS AFTER REMOVAL  
FROM SUPPORTS**

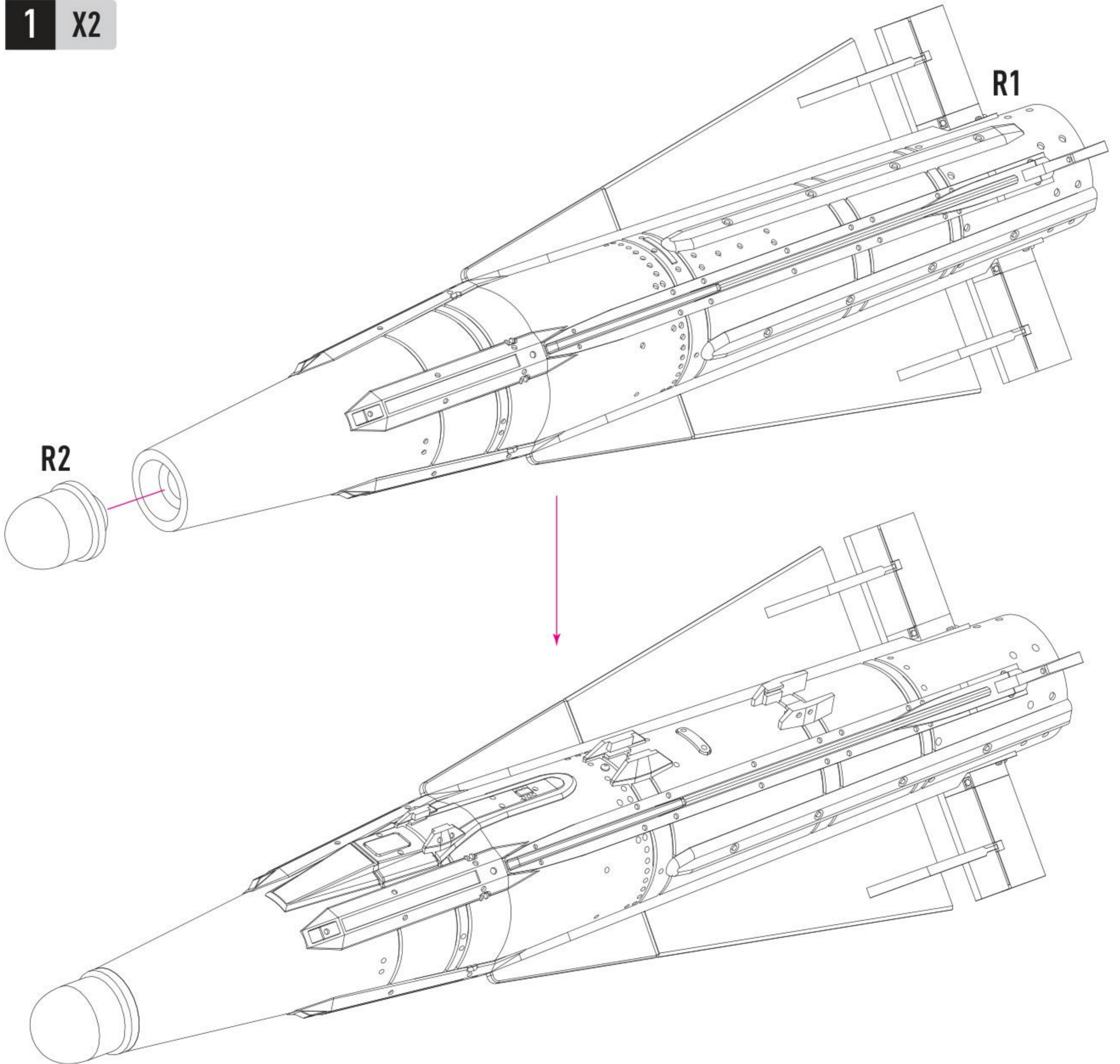


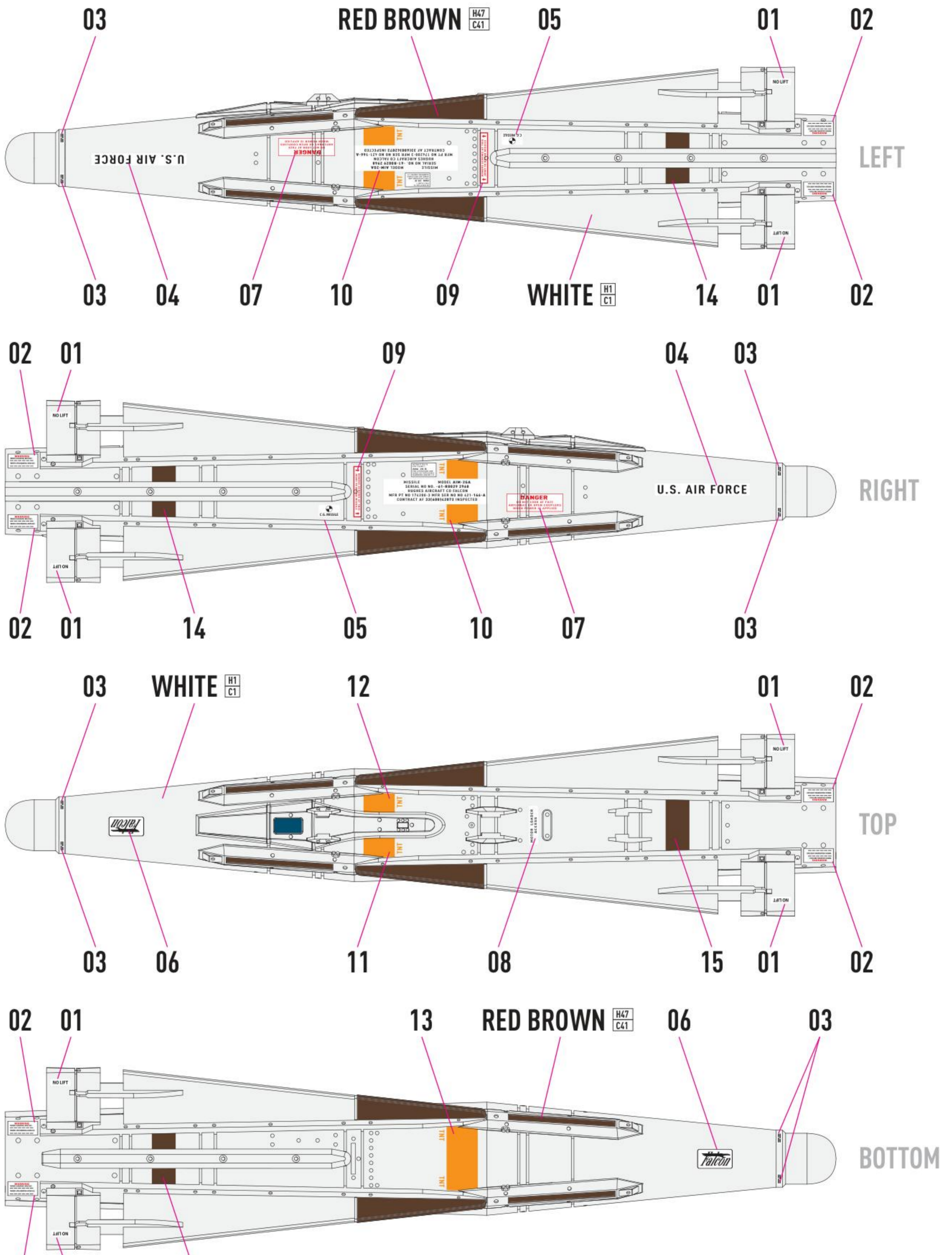
**R2 X2**



**R1 X2**

**1 X2**





**LEFT**

**RIGHT**

**TOP**

**BOTTOM**

**RED BROWN** H47 C41

**WHITE** H1 C1

**RED BROWN** H47 C41

**WHITE** H1 C1

**Colors Legend:**

COLORS	GUNZE / AEOEUS	GUNZE / MR.COLOR
WHITE	H1	C1

COLORS	GUNZE / AEOEUS	GUNZE / MR.COLOR
RED BROWN	H47	C41