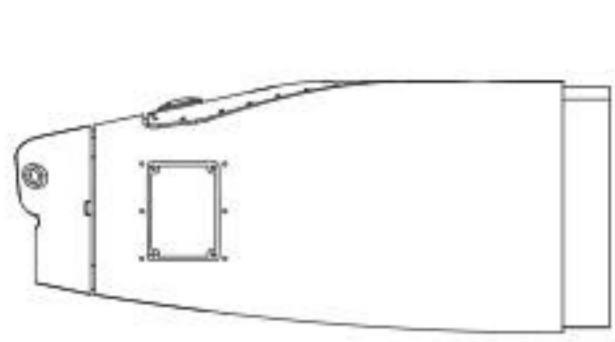
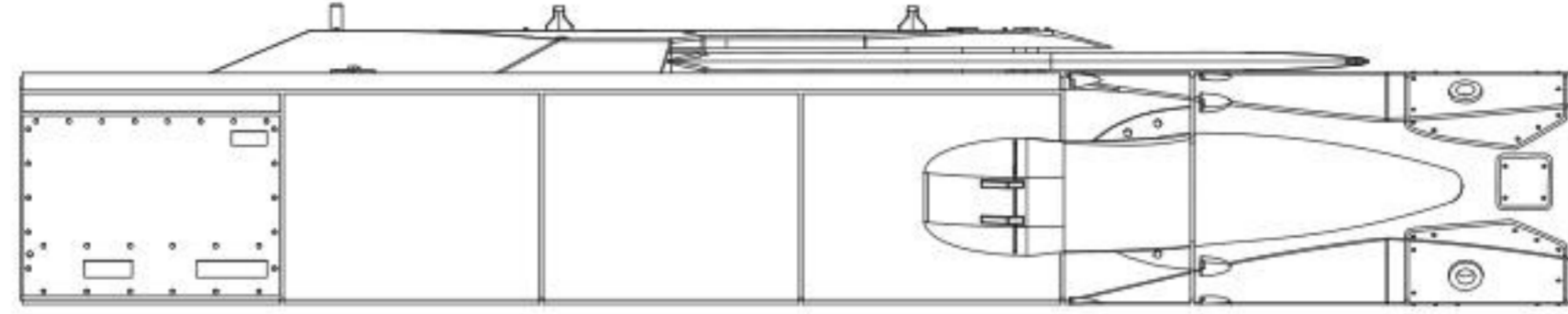


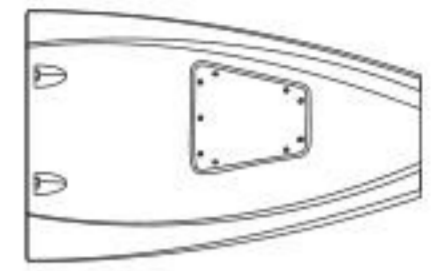
CUT



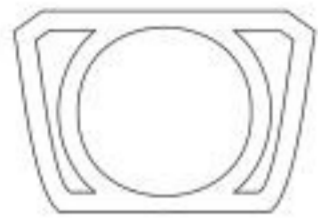
R1 X2



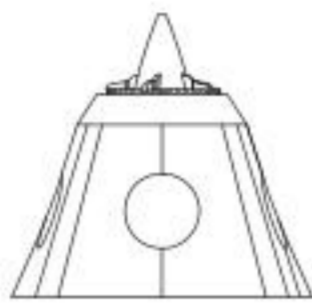
R2 X2



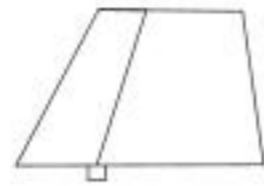
R3 X2



R4 X2



R5 X2



R6 X8

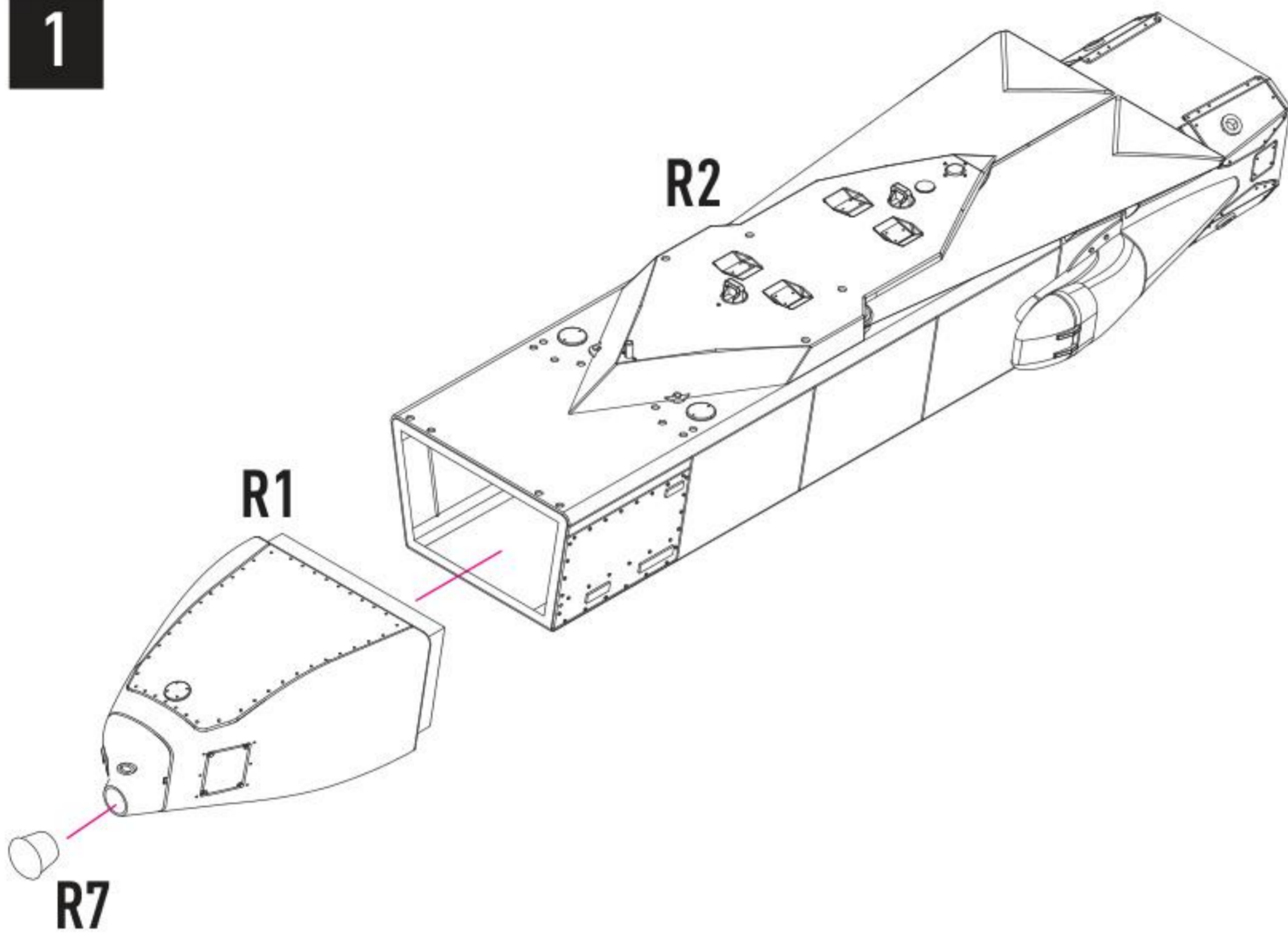


R7 X2

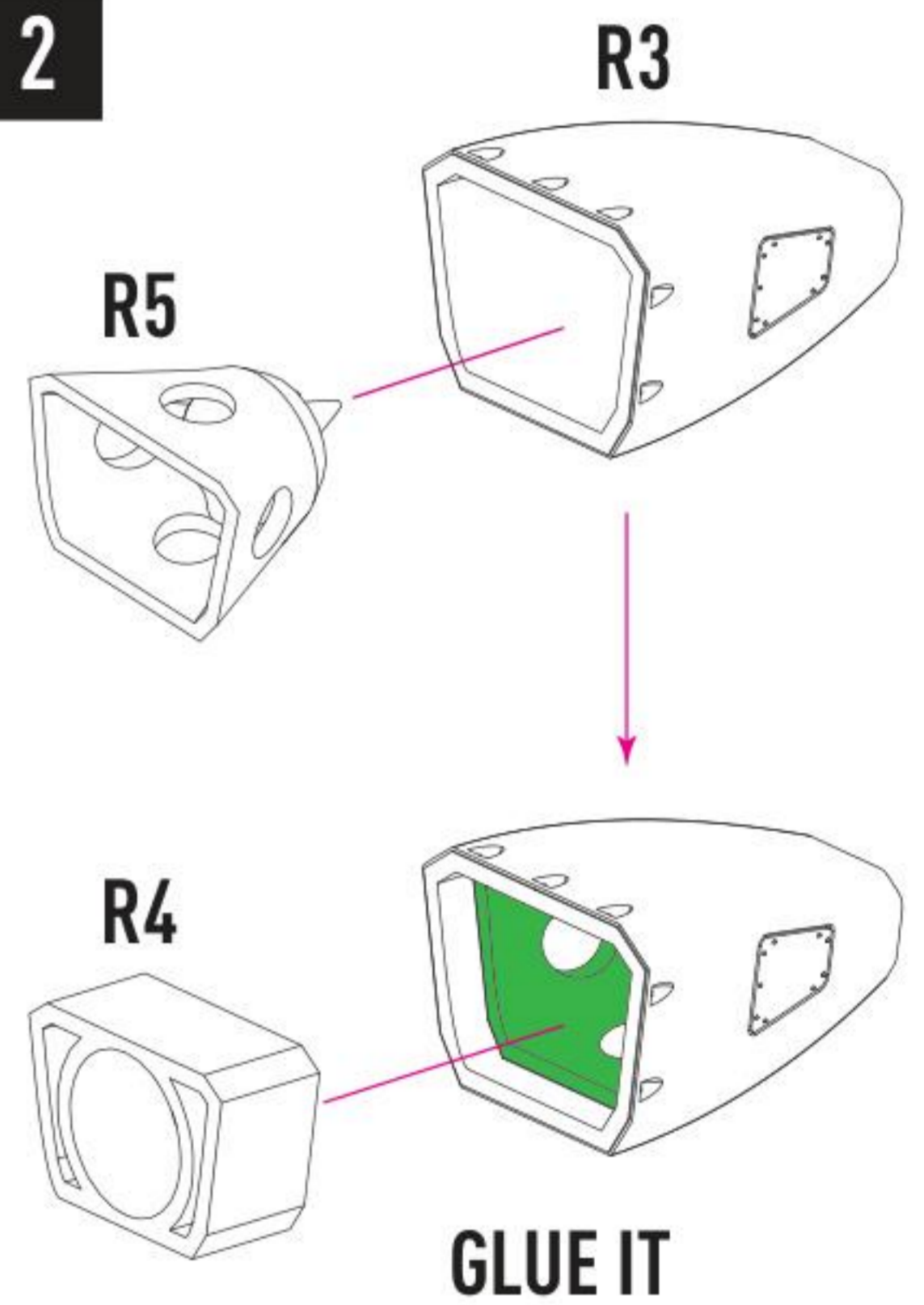


USE A SAW TO REMOVE SUPPORTS
FROM 3D PRINTED PARTS

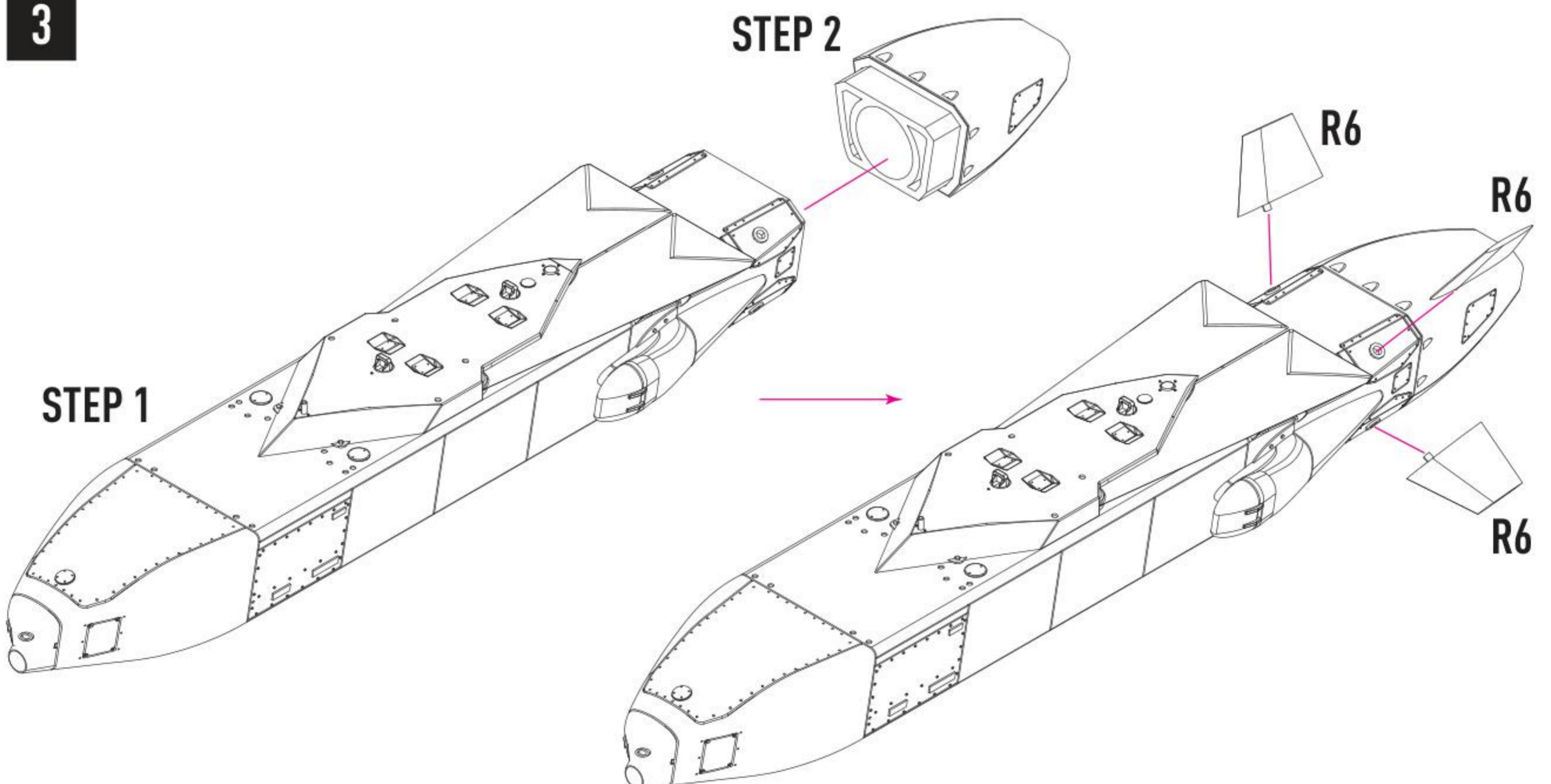
1



2



3



COLORS	GUNZE / AQUEOUS	GUNZE / MR.COLOR
GREEN		C519

COLORS	GUNZE / AQUEOUS	GUNZE / MR.COLOR
GRAY	H305	C305

