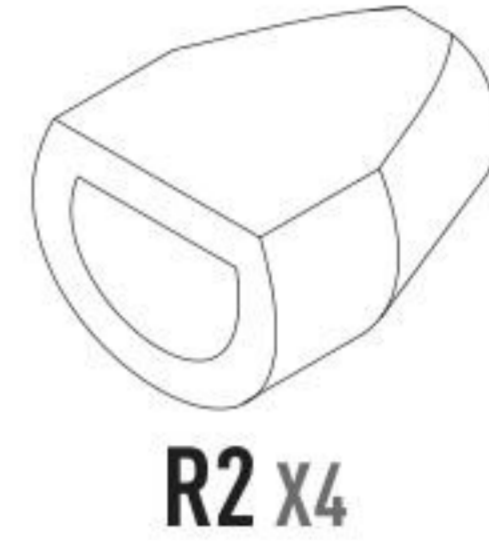
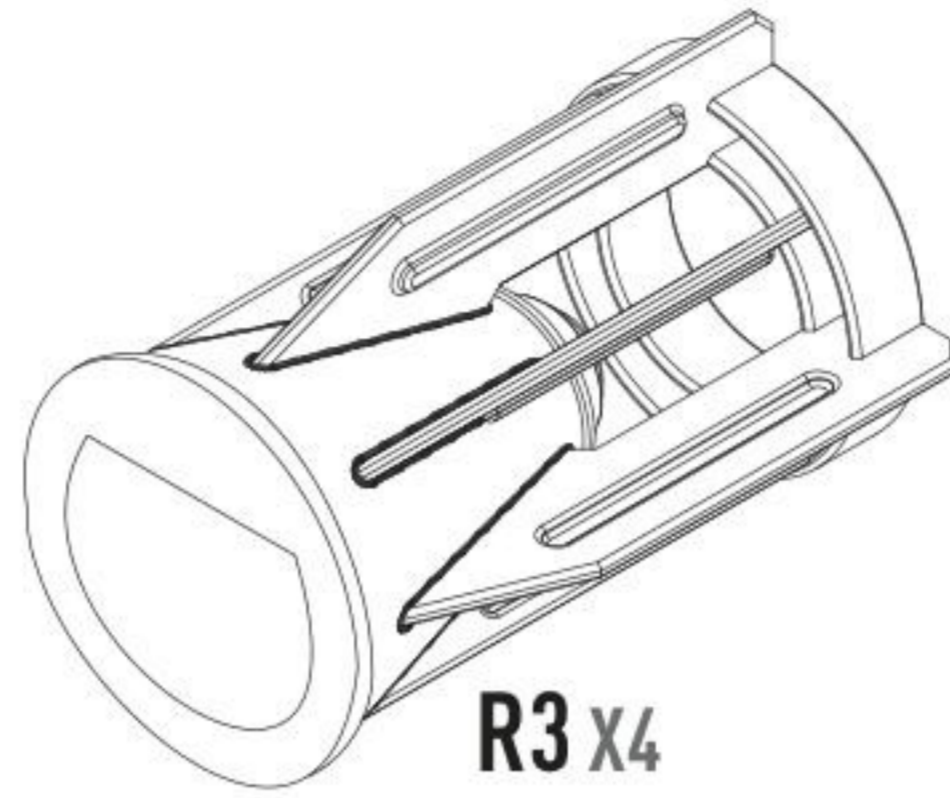
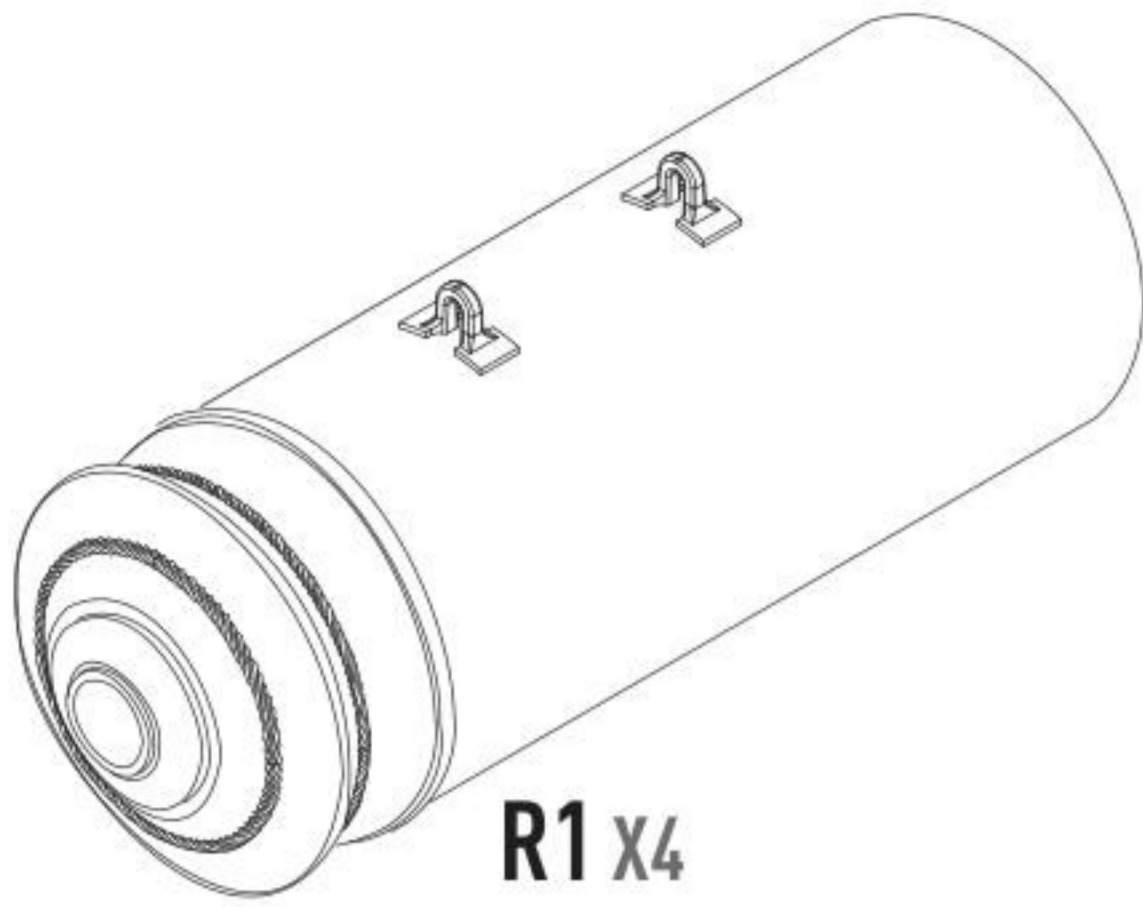


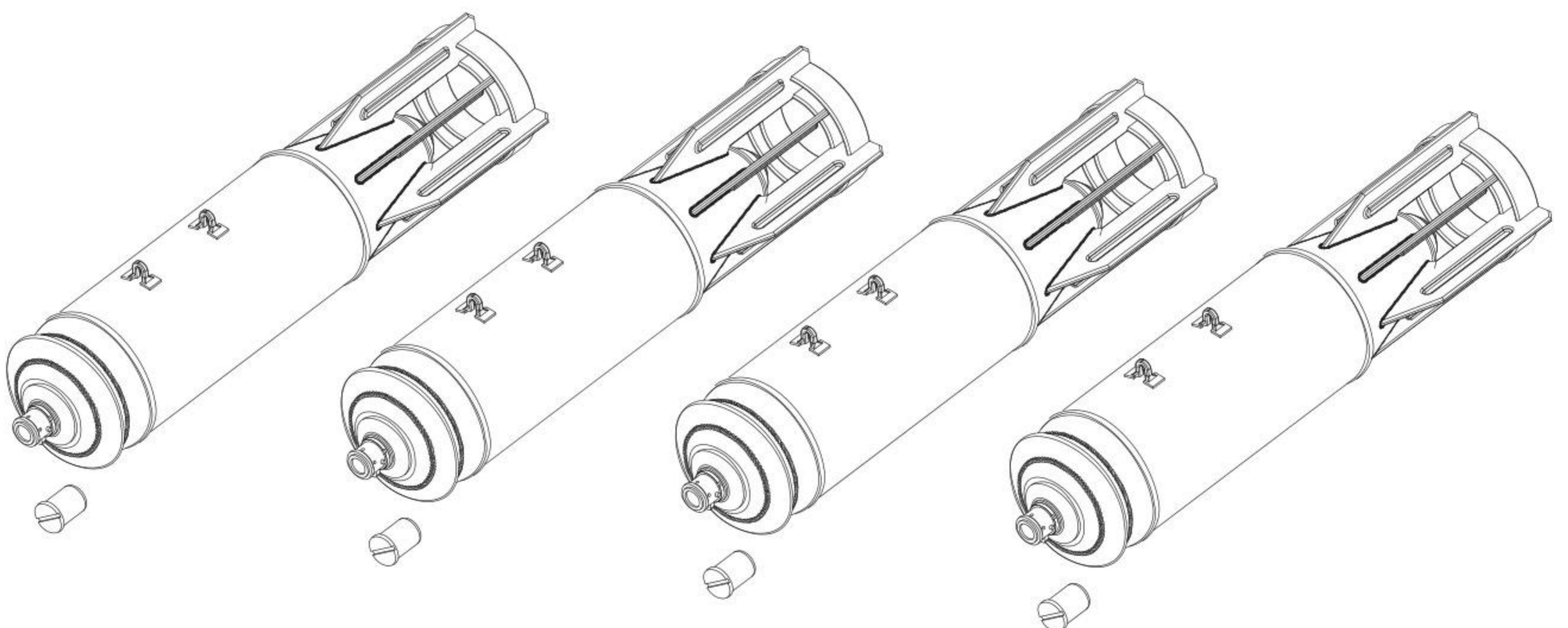
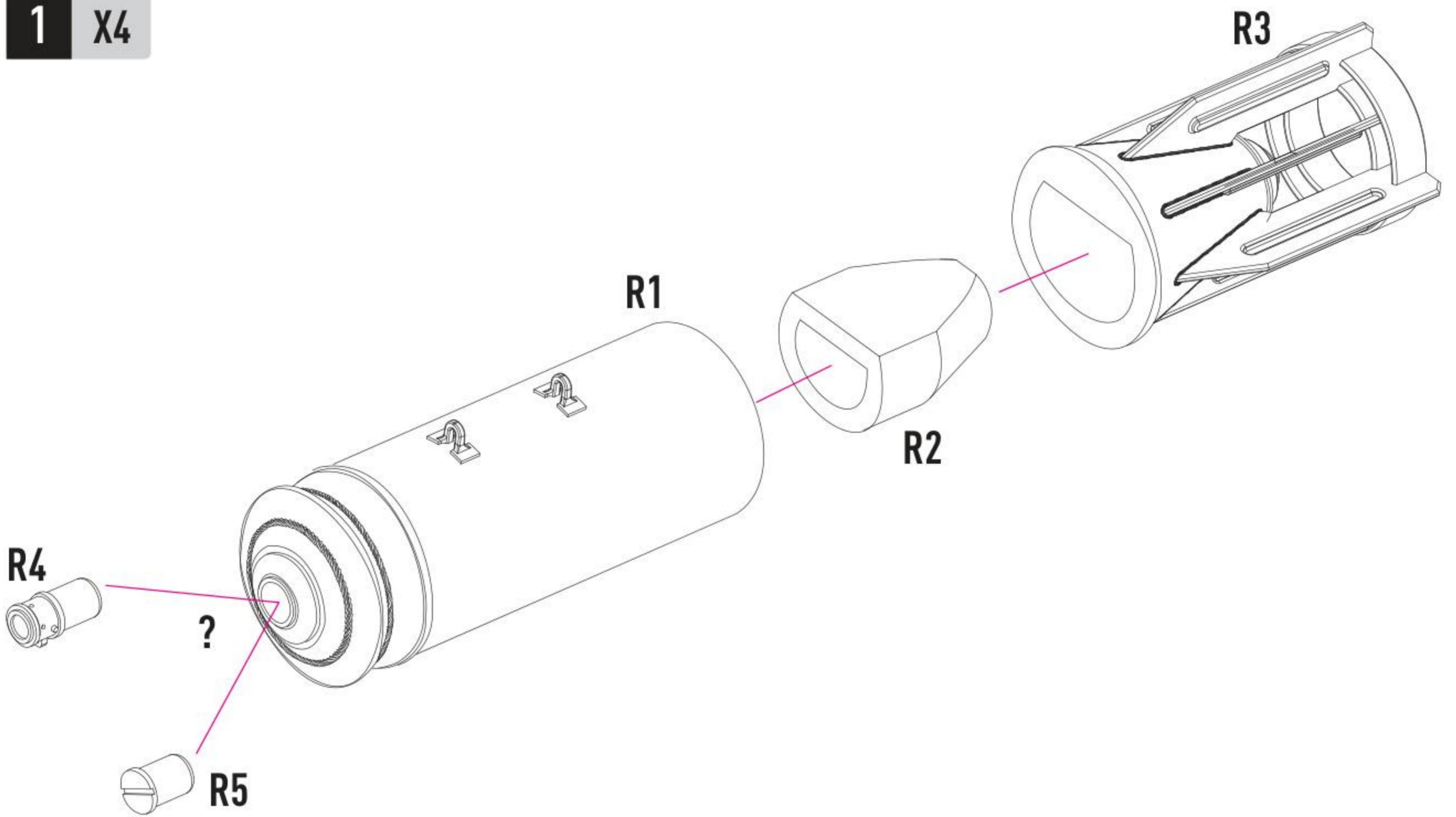
DETAILS AFTER REMOVAL FROM SUPPORTS

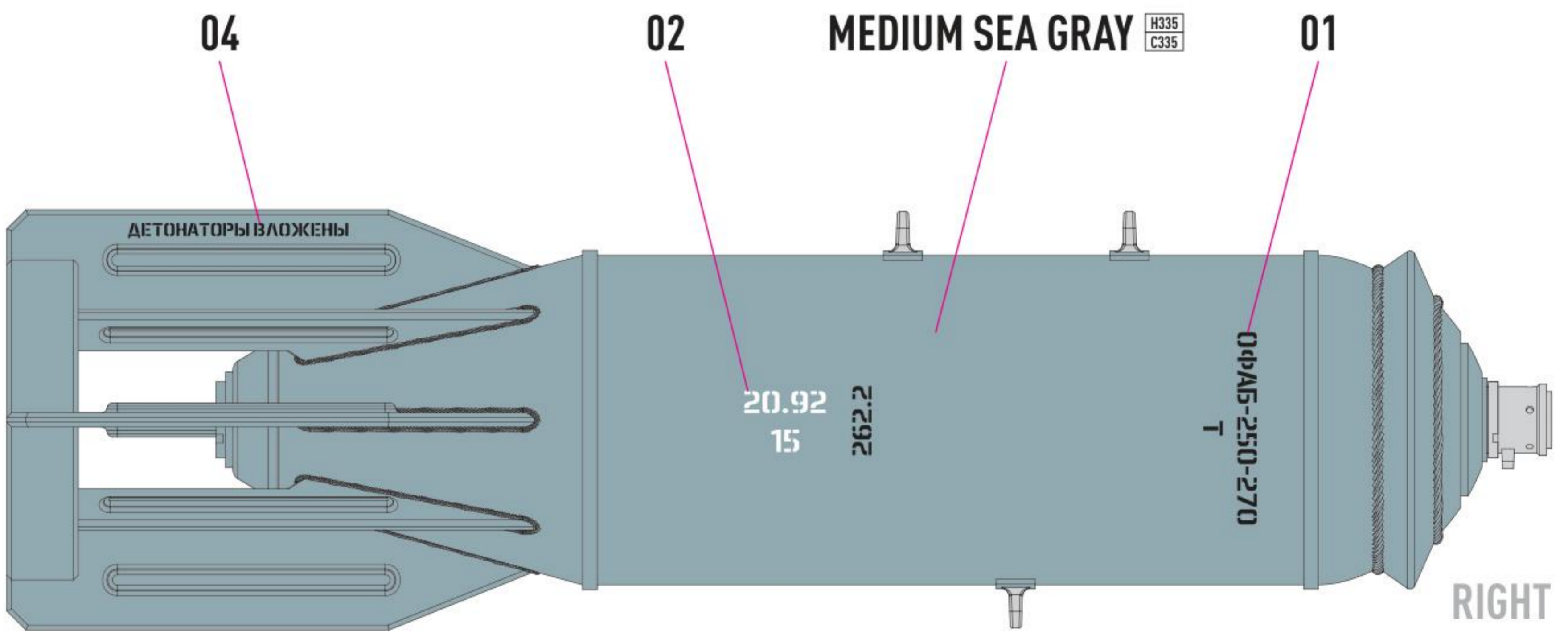
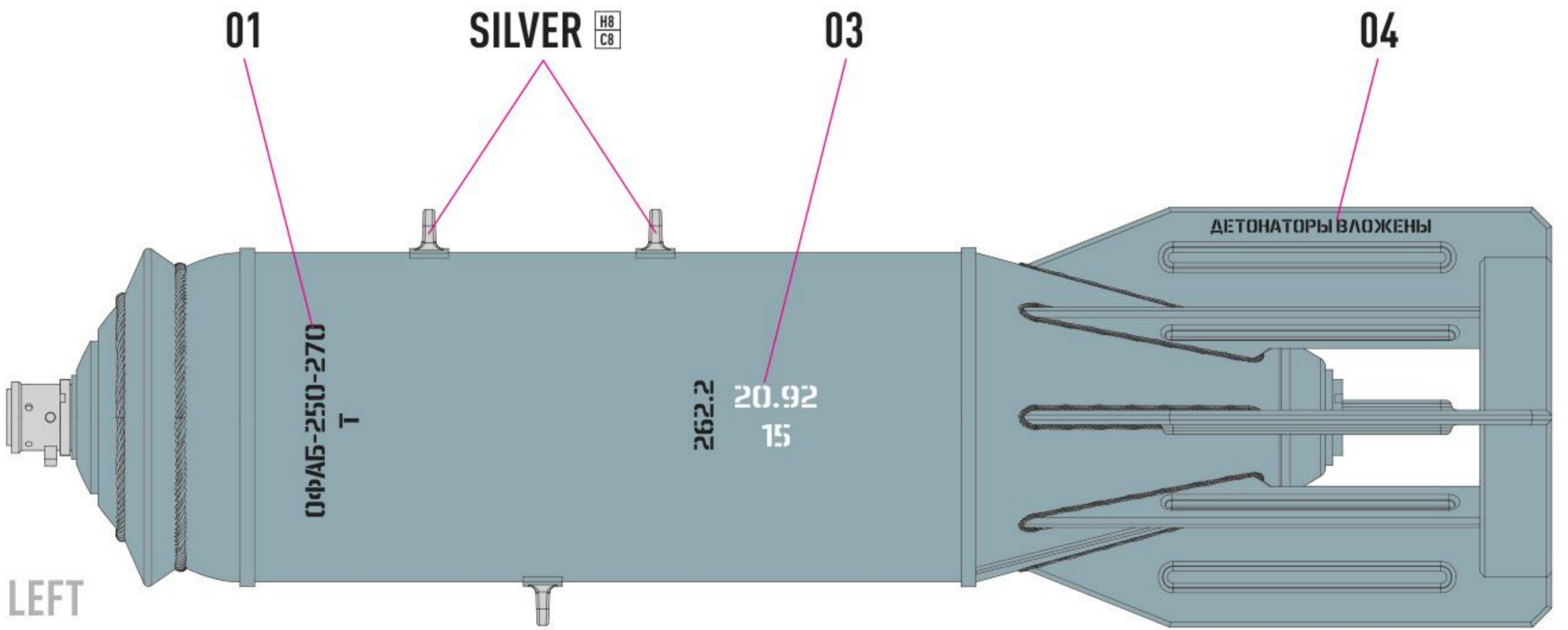


USE A SAW TO REMOVE SUPPORTS
FROM 3D PRINTED PARTS



1 X4





COLORS	GUNZE / AQUEOUS	GUNZE / MR.COLOR
MEDIUM SEA GRAY	H335	C335
SILVER	H8	C8