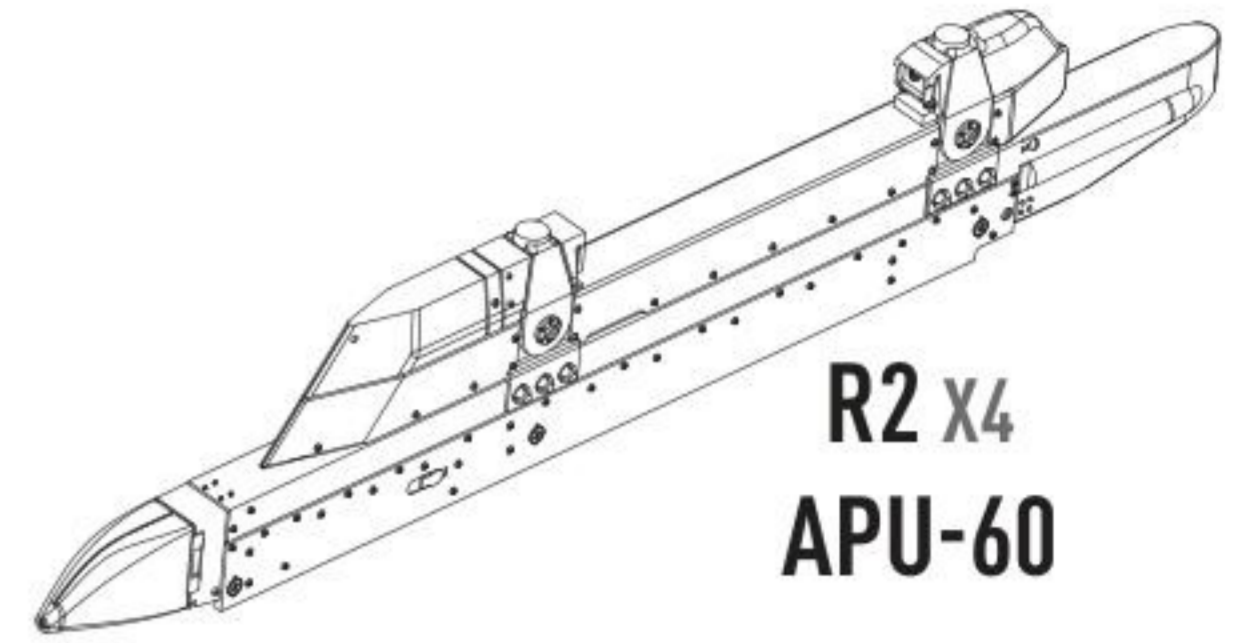
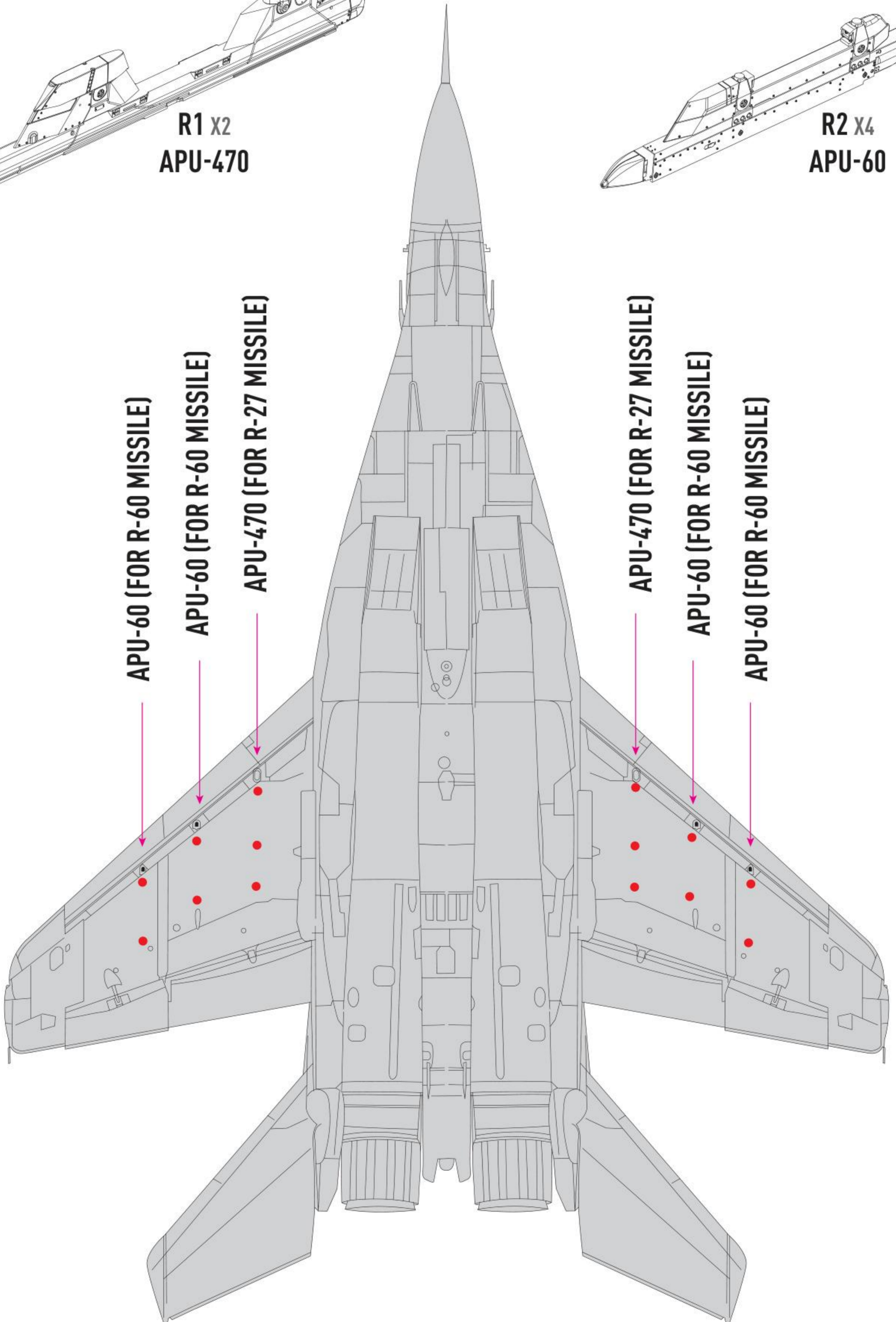
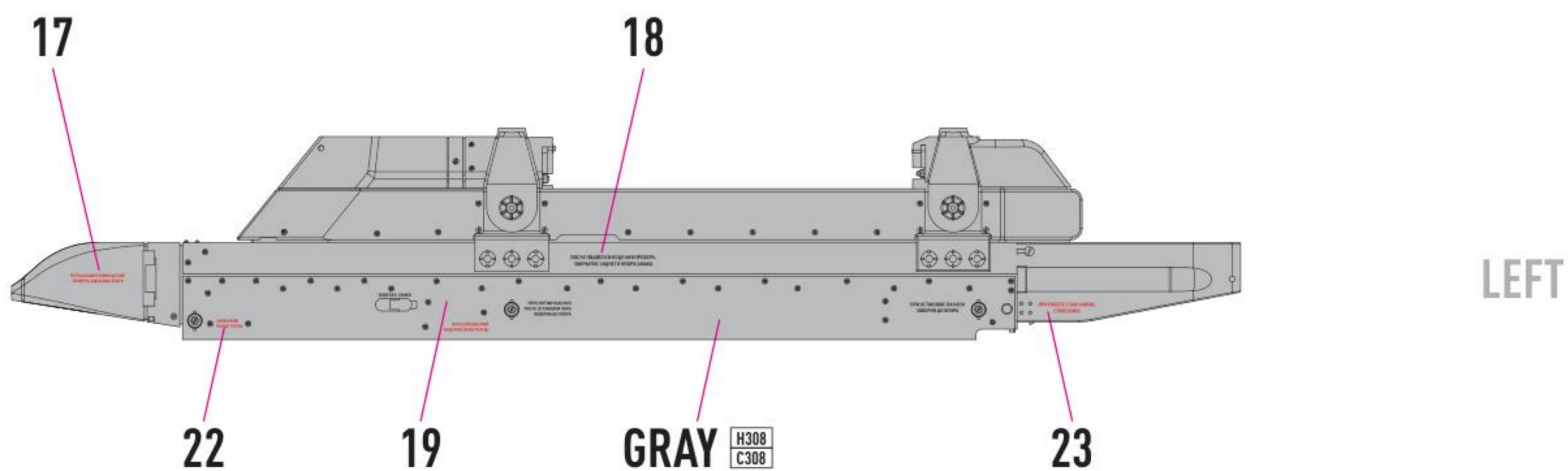
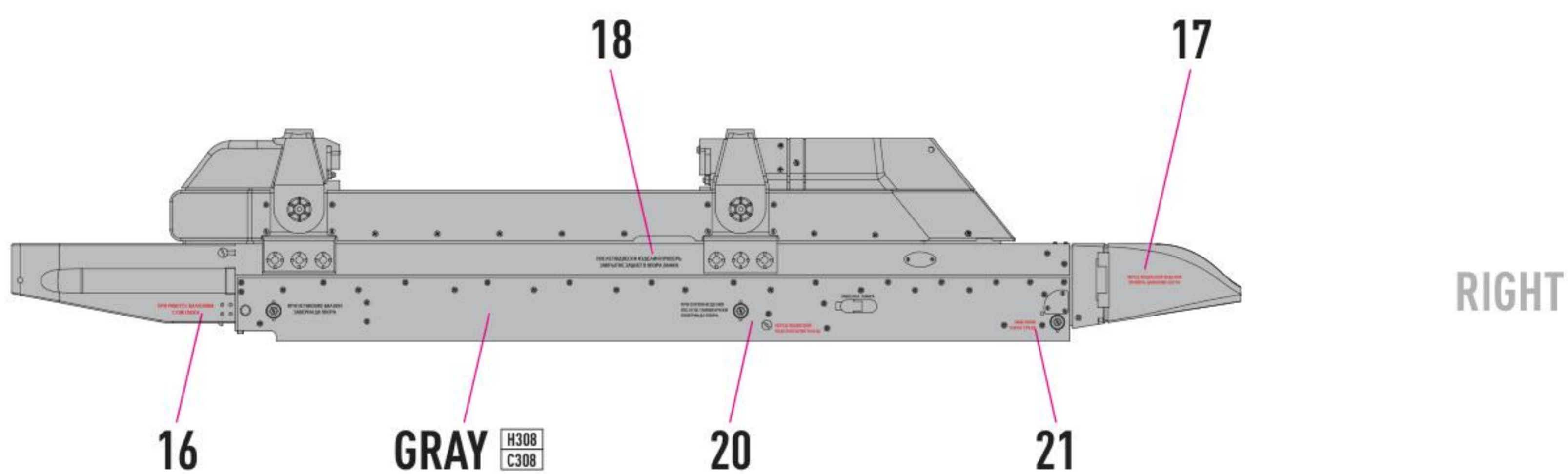
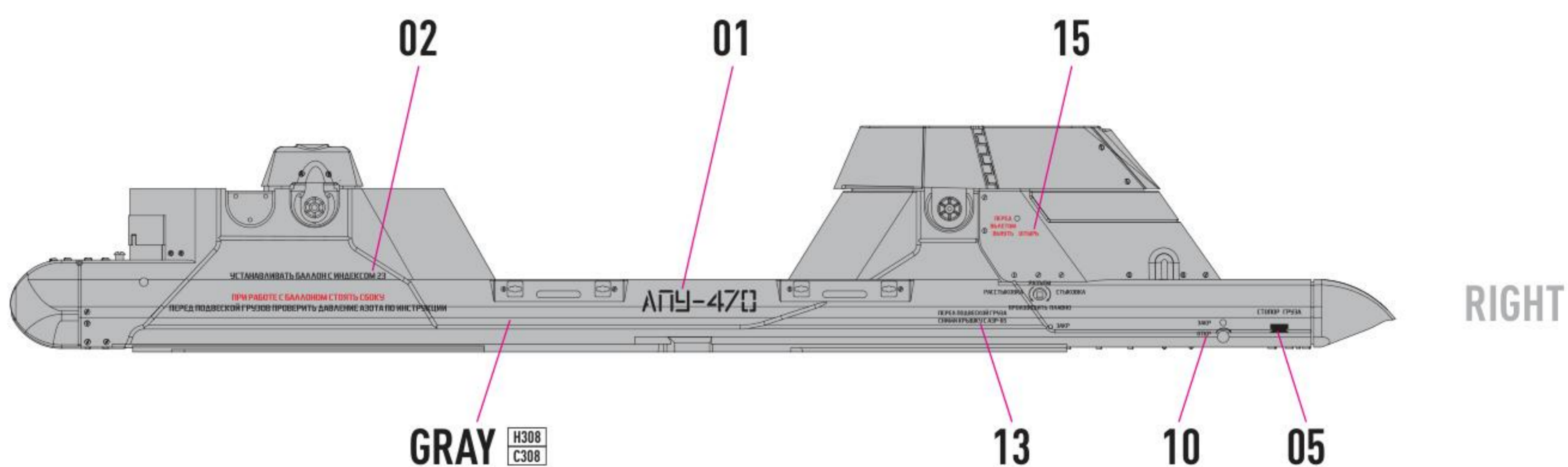
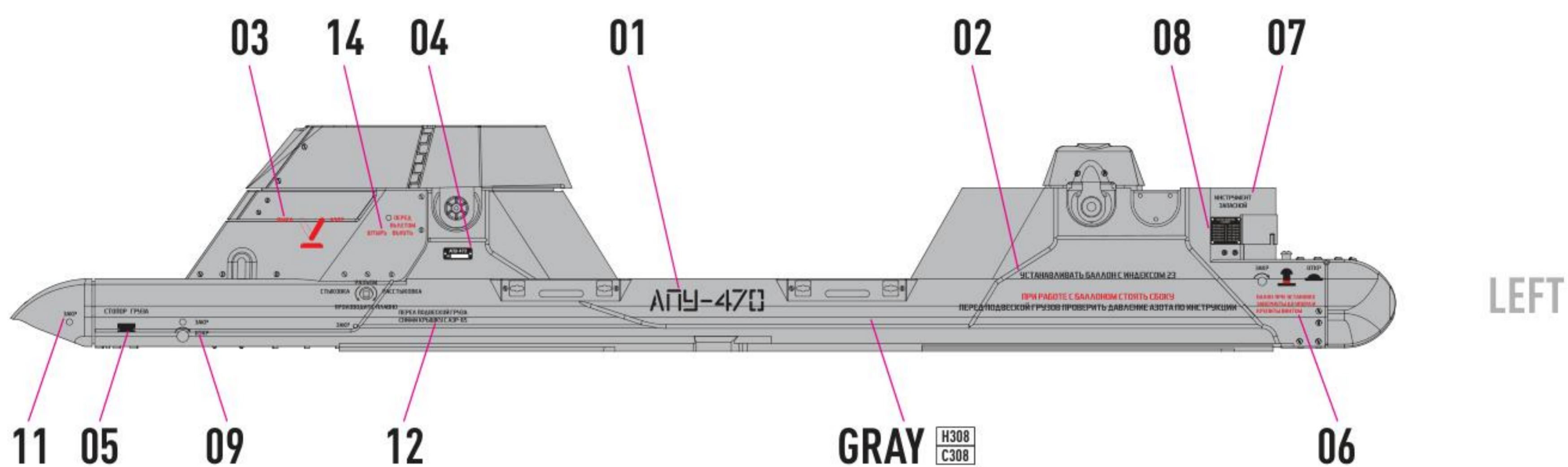


R1 X2
APU-470



R2 X4
APU-60





COLORS	GUNZE / AQUEOUS	GUNZE / MR.COLOR	FEDERAL STANDARD
GRAY	H308	C308	FS 36375