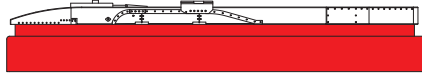
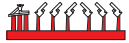


### CUT

#### REMOVE PROTECTIVE COVER



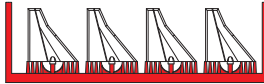
R8 X2



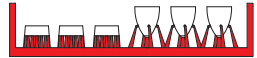
R9 R10 R11



R2 X2

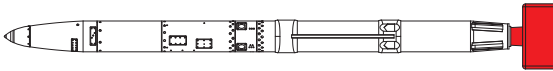


R5 X2



R4

R3

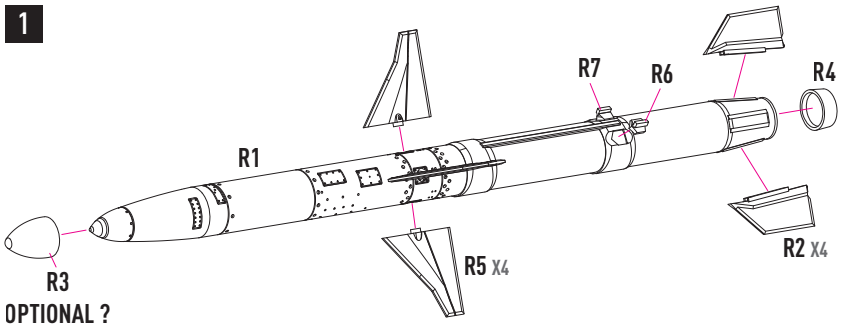


R1 X2

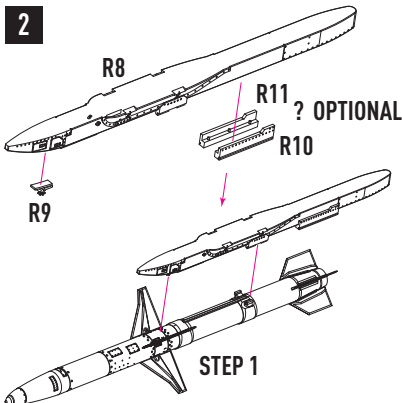


R7 R6

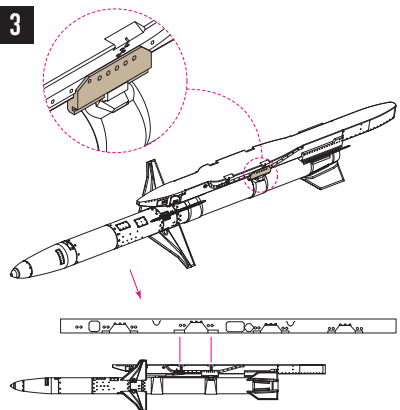
### 1



### 2



### 3

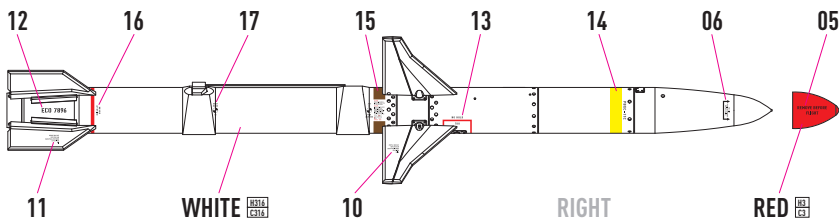


GREEN H6 C6 OR GRAY H308 C308

18

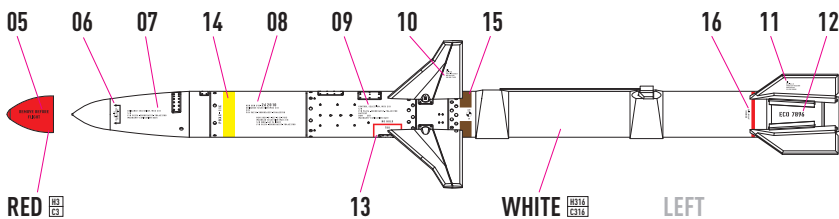
19

20



GREEN H6 C6 OR GRAY H308 C308

18



COLORS	GUNZE / AODEUS	GUNZE / MR.COLOR	FEDERAL STANDARD
WHITE	H316	C316	FS 17875
GRAY	H308	C308	FS 36375
GREEN	H6	C6	
RED	H3	C3	