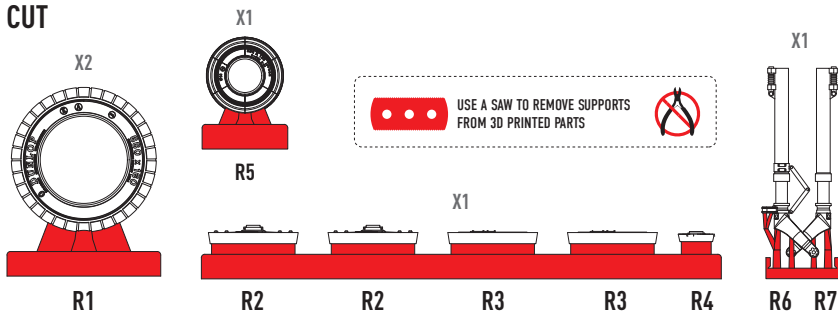
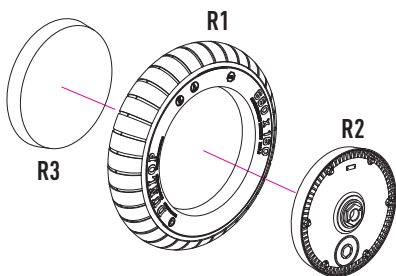


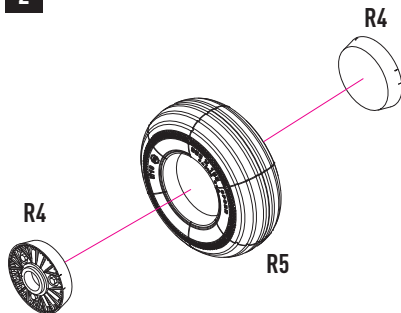
CUT



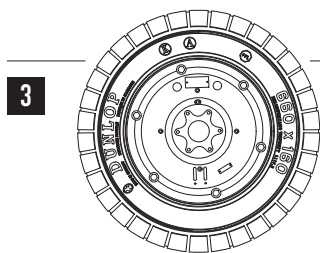
1 X2



2



3



CORRECT WHEEL POSITION

