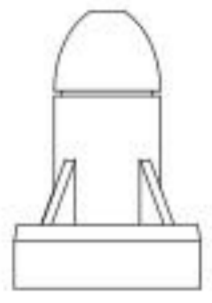


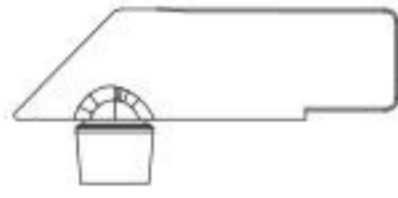
CUT



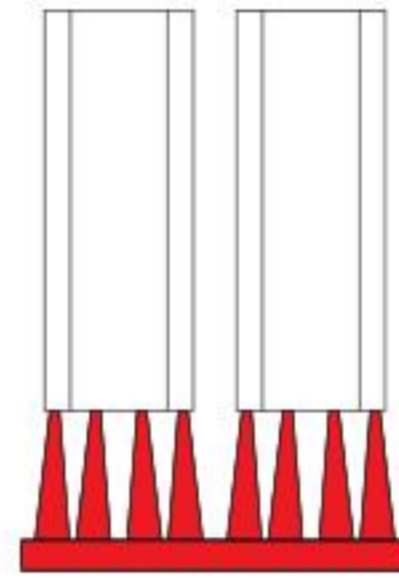
USE A SAW TO REMOVE SUPPORTS FROM 3D PRINTED PARTS



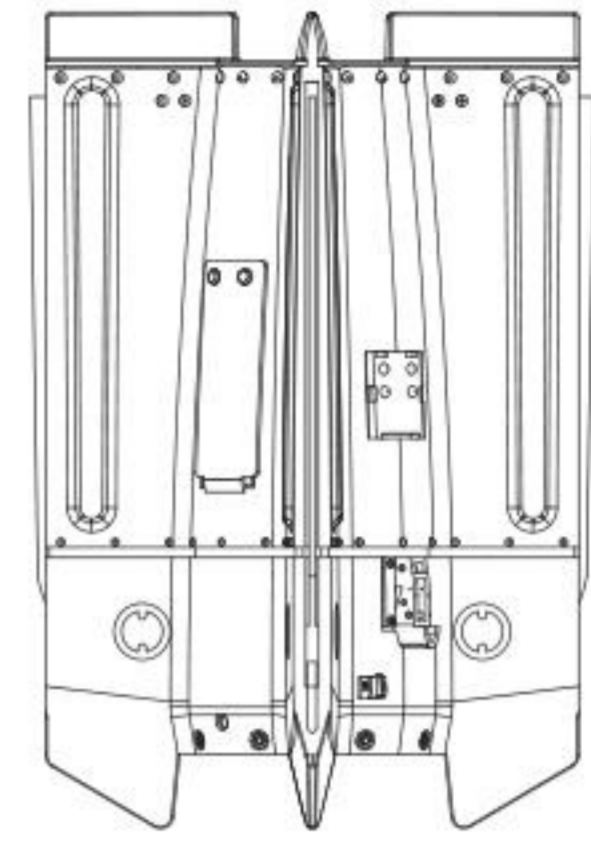
R1 X2



R5 X8



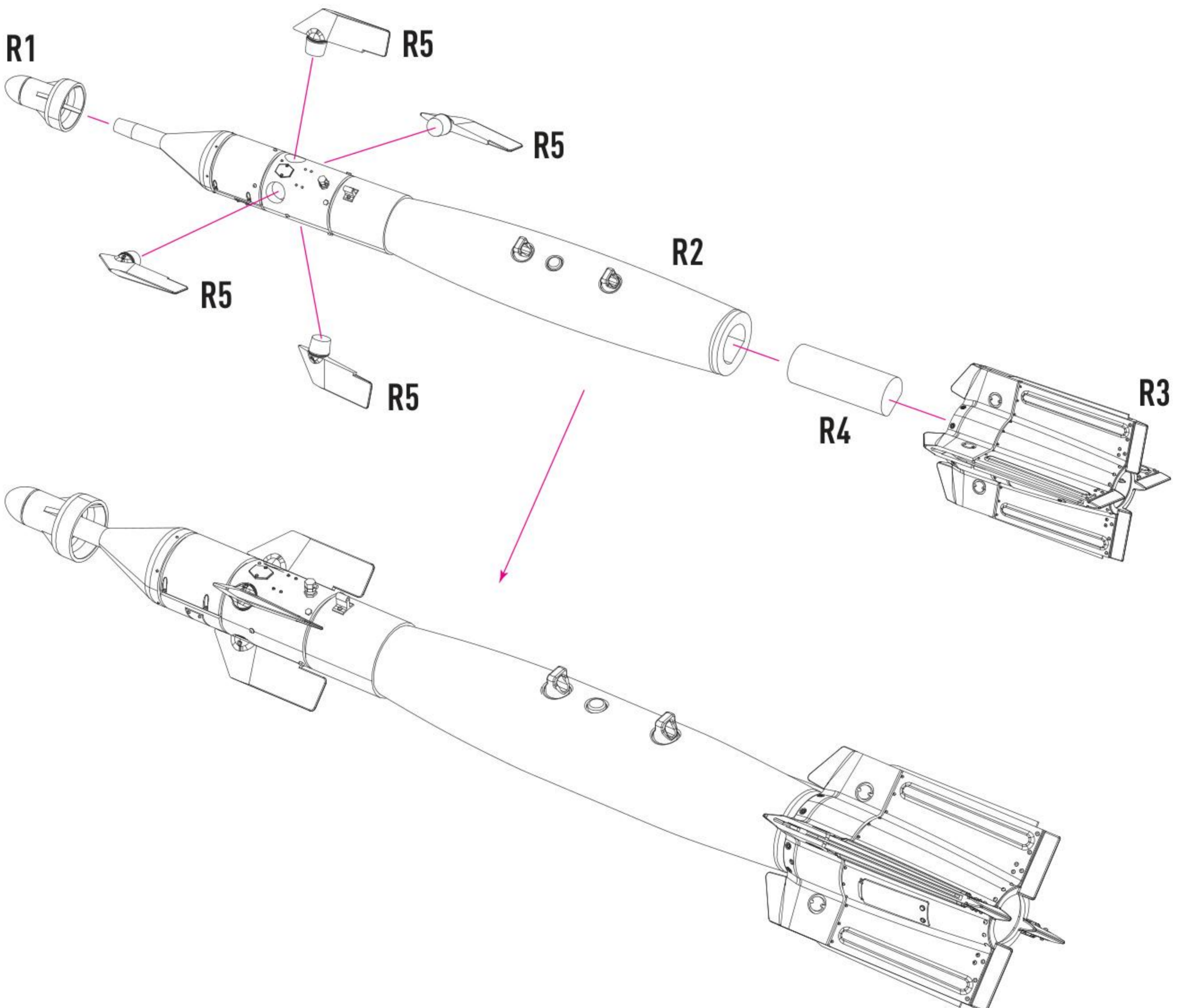
R4

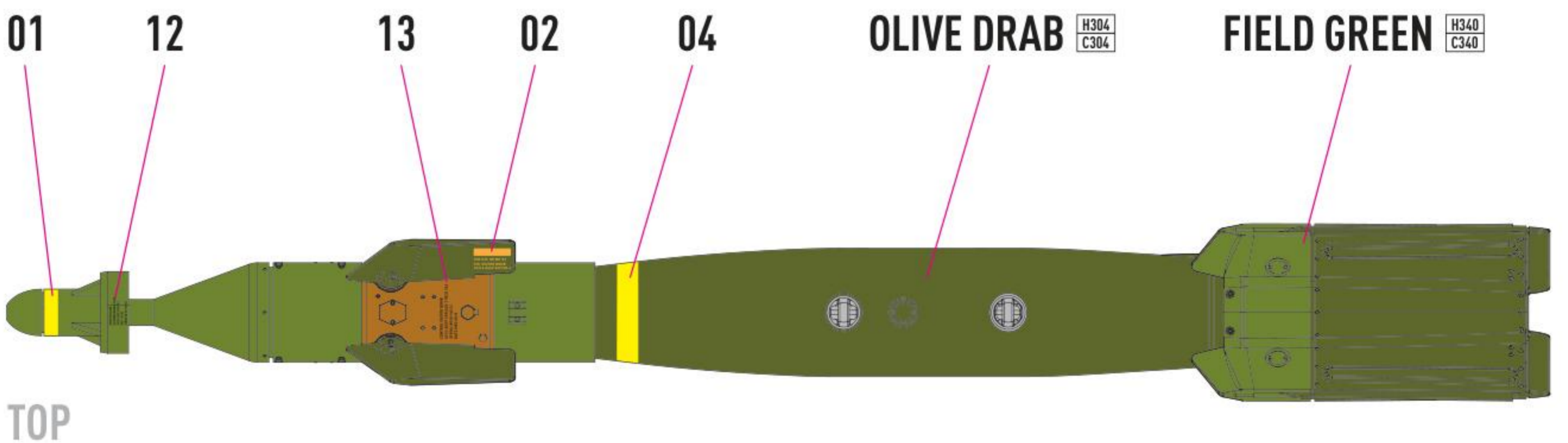
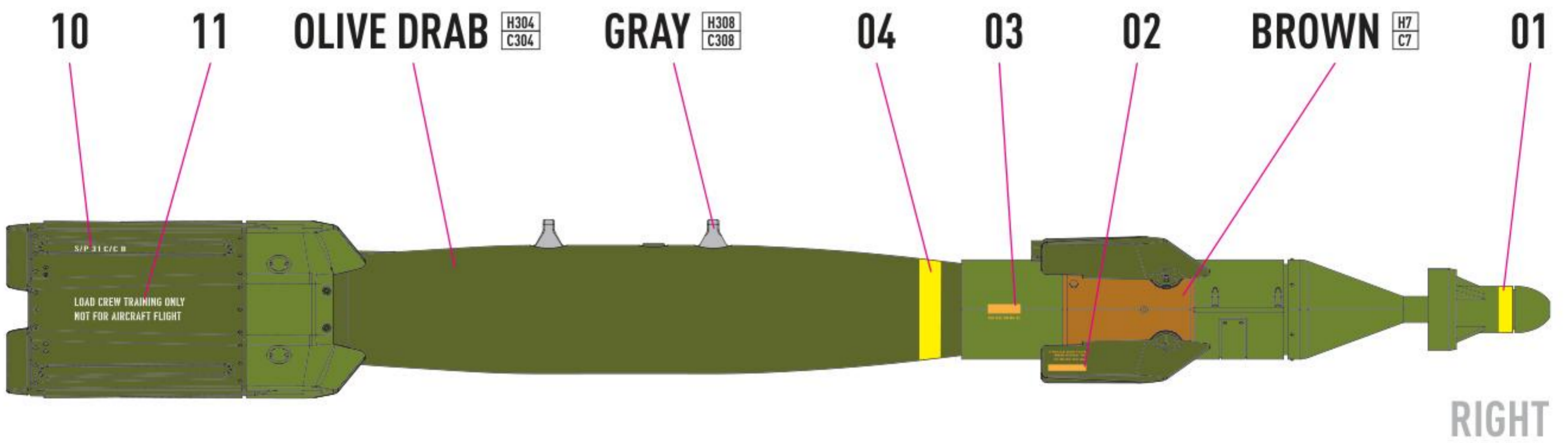
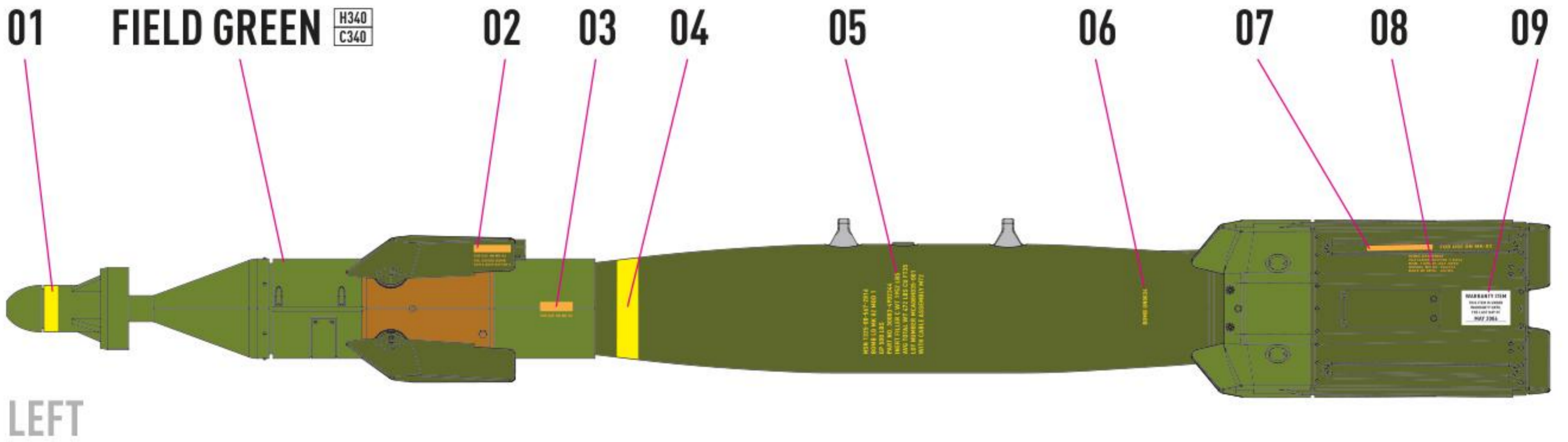


R3 X2



R2 X2





COLORS	GUNZE / AQUEOUS	GUNZE / MR.COLOR
	H304	C304
	H308	C308

COLORS	GUNZE / AQUEOUS	GUNZE / MR.COLOR
	H340	C340
	H7	C7