



USE A SAW TO REMOVE SUPPORTS FROM 3D PRINTED PARTS

### DETAILS AFTER REMOVAL FROM SUPPORTS



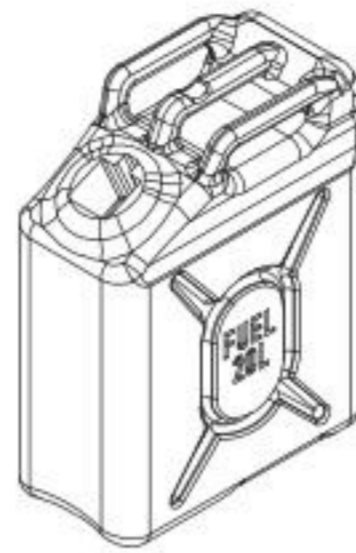
R4 X8



R1 X8



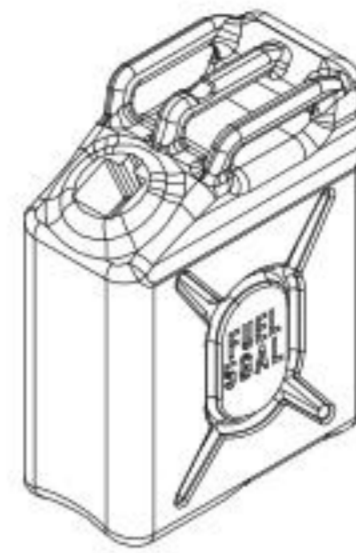
R7 X6



R2 X8



R9 X4



R3 X8



R6 X24



R5 X8



R8 X16

